

BRITEWIDE

LIGHTING

BWTL-B Series TL-B LED Track Head

Lamp: 20W 2000Lm LED Source

Type

Project

Catalog No.

Lamp/Wattage

PRODUCT DESCRIPTION

LED Track Fixture with Architectural Styled die-cast aluminum and heat dissipating fins body. Available with two popular beam angles; 10° and 24°, Comes in 3000K, 4000K color Temperature (other CCT is optional, too).

FEATURES

- Over 75% energy savings when compared to incandescent
- Up to 2000 Lumens and 83 CRI
- Choose 10° and 24° reflectors.
- Available in two different color temperatures: 3000K or 4000K CCT
- Single White LED chip
- Black, White Finishes
- Three circuit track capable
- Available in standard H-Style

CONSTRUCTION

Housing: Die-cast construction with heat dissipating fins, for driver and LED package to optimize heat management.

Driver: Integral and non-dimmable

Adjustability: 350° horizontal and 90° vertical adjustment.

Finishes: Black, or White power coated.

ELECTRICAL

Power Consumption: 20W

Lumens: 2000lm

Color Rendering Index: 83 CRI

Light Source: Single White LED chip

Beam Spread: 10° or 24°

Life Expectancy: 50,000 Hours

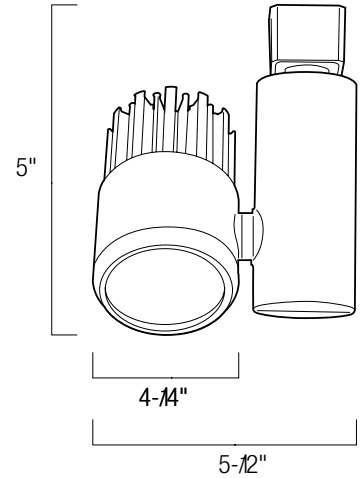
Color Temperature: Warm White (3000K), Cool White (4000K)

Applications

Excellent choice for commercial, retail stores, art, and jewelry applications.

DIMENSIONS

Width: 5-1/2"
Height: 5"
Diameter: 4-1/4"



Labels and Warranty

cULus Listed
5-Year Limited Warranty



TL-B 20W LED TRACK

CATALOG. NO.	SOURCE	COLOR TEMP.	BEAM SPREAD	WATTAGE	FINISH
BWTL-B	L = LED	30 = 3000K 40 = 4000K	10° or 24°	20W	B = Black W = White

BRITEWIDE
LIGHTING

BRITEWIDE LIGHTING [HTTP://WWW.BRITEWIDE.COM](http://www.britewide.com)
P: +86 755 29581421 F: +86 755 29640911 E: sales@britewide.com