

RFK Series

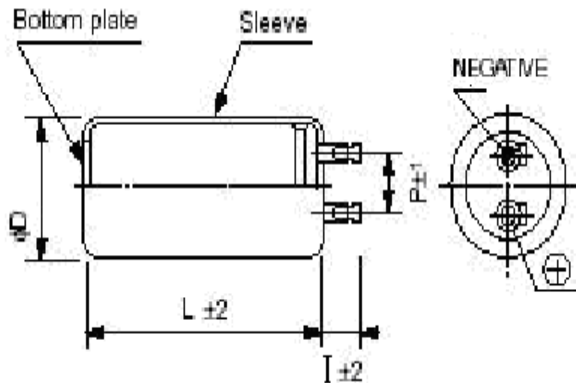
- Snap-in Terminal Type
- Long life under rapid charge and Discharge use snap-in
- Rohs compliance.
- Use in signal light with strobe-flash.



◆ SPECIFICATIONS

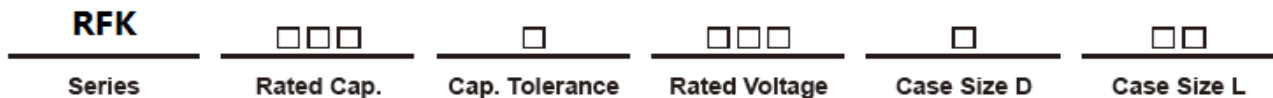
Item	Characteristics	
Operating Temperature Range	-20 to +55℃	
Rated Voltage Range	360 & 450 WV.DC	
Withstand Voltage	390 & 500SV.DC	
Capacitance Tolerance	- 10% ~ + 20% (at 25℃, 120Hz)	
Leakage Current	I ≤ 3 at 25℃ After 5 minutes I : Leakage Current (μA) C : Rated Capacitance	
Dissipation Factor (tanδ)	0.07	at 25℃, 120Hz
Charge and Discharge	Charge and discharge at rated voltage at 45℃ in every 1 seconds for 1 million times via Xe flash	
	Capacitance Change	≤ ±10% of the initial value
	Dissipation Factor	≤ 150% of the initial specified value
	Leakage Current	≤ 200% of the initial specified value
Shelf Life	Storage without voltage applied at 70℃ for 500 hours and measured at 25±5℃ after voltage processing in EIAJ RC2365 They meet the specified value for charge and discharge characteristics listed above.	

◆ DRAWING



ΦD	20	22	25	30	35	40
P	8	10	10	10	10	13
l	5	5	5.5	5.5	5.5	5.5
W	2.6	2.6	3	3	3	3
α	0.5	0.5	1	1	1	1

◆ PART NUMBERING SYSTEM



RFK Series

■ STANDARD RATINGS

WV uF	360WV					
	ΦD	22	25	30	35	40
60	L	22 x 30				
70		22 x 35	25 x 25			
80		22 x 40	25 x 30			
100		22 x 45	25 x 35	30 x 25		
120		22 x 50	25 x 40	30 x 30		
150		22 x 55	25 x 45	30 x 35		
180			25 x 50	30 x 40	35 x 30	
220			25 x 60	30 x 45	35 x 35	
270				30 x 50	35 x 40	
330				30 x 55	35 x 50	
470					35 x 60	40 x 50

WV uF	450WV					
	ΦD	22	25	30	35	40
47	L	22 x 35				
68		22 x 40	25 x 30			
100		22 x 50	25 x 40	30 x 35		
120		22 x 55	25 x 45	30 x 40		
150		22 x 60	25 x 50	30 x 45		
220			25 x 60	30 x 55	35 x 45	
270				35 x 65	35 x 55	
330					35 x 65	40 x 55
470					35 x 75	40 x 65