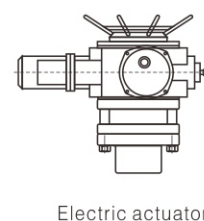
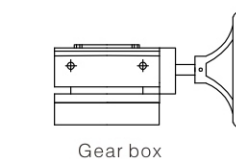
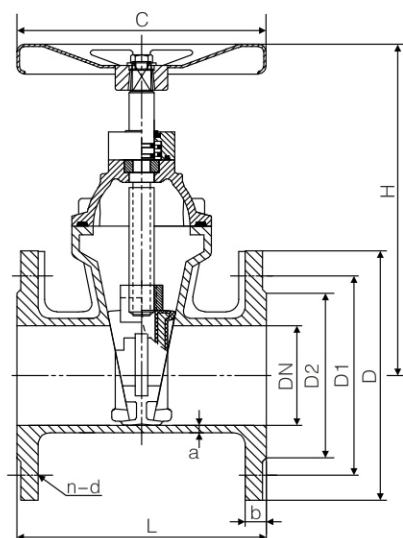


德标DIN3352-F4暗杆软密封闸阀-O型 DIN3352-F4 Non-rising Stem Resilient Soft Seat Gate Valve-O Type

FC-002



标准 Standard

| 设计标准 Design Standard | 结构长度 Face to Face | 法兰连接 Flanges connection |
|-------------------------|------------------------|---|
| DIN3352 EN558-1 | DIN3202-F4 EN558-14 | DIN2532 DIN2533 DIN2501 EN1092 |

性能规范 Performance specification

| 公称压力等级 Nominal pressure | 壳体测试 Shell test | 密封测试 Sealing test | 上密封测试 Back seal test |
|----------------------------|--------------------|----------------------|-------------------------|
| PN10 | 1.5MPa | 1.1MPa | 1.1MPa |
| PN16 | 2.4MPa | 1.76MPa | 1.76MPa |

主要零件材料 Main parts materials

| 阀体 Body | 阀盖 Bonnet | 阀杆 Stem | 阀瓣 Disc | 螺母 Stem Nut | 工作温度 °C Working temperature | 适用介质 Suitable medium |
|----------------|-----------------|----------------------------------|---------------------------------|----------------|--------------------------------|-------------------------|
| GGG40 GGG50 | GGG40 GGGG50 | 2Cr13 SS304 SS316 BRASS | GGG40/GGG50 with NBR/EPDM | Brass | -20°C-120°C | Water Steam Oil |

主要外型及连接尺寸 Main external and connection dimension

PN10

| DN | 40 | 50 | 65 | 80 | 100 | 125 | 150 | 200 | 250 | 300 | 350 | 400 | 450 | 500 | 600 | 700 | 800 |
|-----|------|------|------|------|------|------|------|------|-------|-------|-------|-------|-------|-------|-------|-------|-------|
| L | 140 | 150 | 170 | 180 | 190 | 200 | 210 | 230 | 250 | 270 | 290 | 310 | 330 | 350 | 390 | 430 | 470 |
| D | 150 | 165 | 185 | 200 | 220 | 250 | 285 | 340 | 395 | 445 | 505 | 565 | 615 | 670 | 780 | 895 | 1015 |
| D1 | 110 | 125 | 145 | 160 | 180 | 210 | 240 | 295 | 350 | 400 | 460 | 515 | 565 | 620 | 725 | 840 | 950 |
| D2 | 88 | 102 | 122 | 138 | 158 | 188 | 212 | 268 | 320 | 370 | 430 | 482 | 530 | 586 | 684 | 800 | 905 |
| b | 17 | 17 | 17 | 17 | 19 | 19 | 19 | 22 | 23 | 26 | 28 | 30 | 30 | 32 | 36 | 40 | 44 |
| n-d | 4-18 | 4-18 | 4-18 | 8-18 | 8-18 | 8-18 | 8-22 | 8-22 | 12-22 | 12-22 | 16-22 | 16-26 | 20-26 | 20-26 | 20-30 | 24-30 | 24-33 |
| H | 200 | 215 | 245 | 285 | 320 | 360 | 415 | 445 | 585 | 670 | 980 | 1144 | 1250 | 1366 | 1450 | 1300 | 1457 |
| C | 160 | 160 | 180 | 200 | 200 | 250 | 250 | 280 | 320 | 350 | 350 | 500 | 500 | 500 | 650 | 700 | 750 |

PN16

| DN | 40 | 50 | 65 | 80 | 100 | 125 | 150 | 200 | 250 | 300 | 350 | 400 | 450 | 500 | 600 | 700 | 800 |
|-----|------|------|------|------|------|------|------|-------|-------|-------|-------|-------|-------|-------|-------|-------|-------|
| L | 140 | 150 | 170 | 180 | 190 | 200 | 210 | 230 | 250 | 270 | 290 | 310 | 330 | 350 | 390 | 430 | 470 |
| D | 150 | 165 | 185 | 200 | 220 | 250 | 285 | 340 | 405 | 460 | 520 | 580 | 640 | 715 | 840 | 928 | 1025 |
| D1 | 110 | 125 | 145 | 160 | 180 | 210 | 240 | 295 | 355 | 410 | 470 | 525 | 585 | 650 | 770 | 840 | 950 |
| D2 | 88 | 102 | 122 | 138 | 158 | 188 | 212 | 268 | 320 | 378 | 438 | 490 | 548 | 610 | 725 | 794 | 901 |
| b | 17 | 17 | 17 | 17 | 19 | 19 | 19 | 22 | 23 | 26 | 28 | 30 | 30 | 32 | 36 | 40 | 44 |
| n-d | 4-18 | 4-18 | 4-18 | 8-18 | 8-18 | 8-18 | 8-22 | 12-22 | 12-28 | 12-28 | 16-26 | 16-30 | 20-30 | 20-34 | 20-36 | 24-37 | 24-40 |
| H | 200 | 215 | 245 | 285 | 320 | 360 | 415 | 480 | 585 | 670 | 980 | 1144 | 1250 | 1366 | 1450 | 1300 | 1457 |
| C | 160 | 160 | 180 | 200 | 200 | 250 | 250 | 280 | 320 | 350 | 350 | 500 | 500 | 500 | 650 | 700 | 750 |