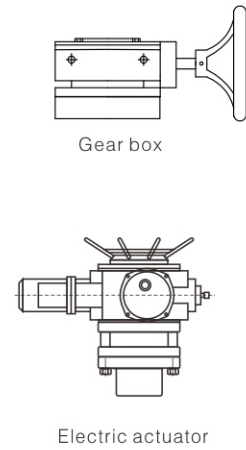
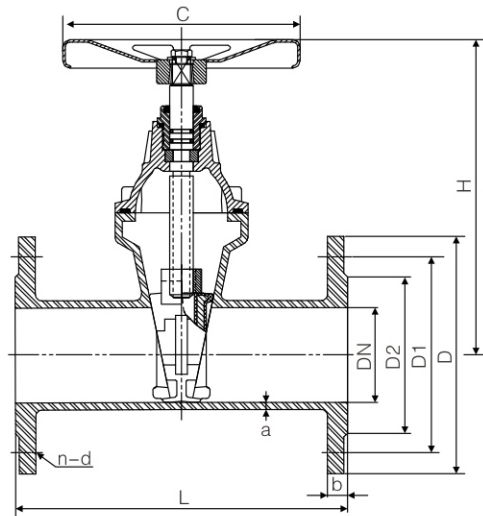


**德标DIN3352-F5暗杆软密封闸阀 DIN3352-F5 Non-rising Stem Resilient Soft Seat Gate Valve**
**FC-003**

**标准 Standard**

设计标准 Design Standard	结构长度 Face to Face	法兰连接 Flanges connection
DIN3352 EN558-1	DIN3202-F5 EN558-15	DIN2532 DIN2533 DIN2501 EN1092

**性能规范 Performance specification**

公称压力等级 Nominal pressure	壳体测试 Shell test	密封测试 Sealing test	上密封测试 Back seal test
PN10	1.5MPa	1.1MPa	1.1MPa
PN16	2.4MPa	1.76MPa	1.76MPa

**主要零件材料 Main parts materials**

阀体 Body	阀盖 Bonnet	阀杆 Stem	阀瓣 Disc	螺母 Stem Nut	工作温度 °C Working temperature	适用介质 Suitable medium
GGG40 GGG50	GGG40 GGGG50	2Cr13 SS304 SS316 BRASS	GGG40/GGG50 with NBR/EPDM	Brass	-20°C-120°C	Water Steam Oil

**主要外型及连接尺寸 Main external and connection dimension**

PN10

DN	40	50	65	80	100	125	150	200	250	300	350	400	450	500	600
L	240	250	270	280	300	325	350	400	450	500	550	600	650	700	800
D	150	165	185	200	220	250	285	340	395	445	505	565	615	670	780
D1	110	125	145	160	180	210	240	295	350	400	460	515	565	620	725
D2	88	102	122	138	158	188	212	268	320	370	430	482	530	586	684
b	17	17	17	17	19	19	19	22	23	26	28	30	30	32	36
n-d	4-18	4-18	4-18	8-18	8-18	8-18	8-22	8-22	12-22	12-22	16-22	16-26	20-26	20-26	20-30
H	200	215	245	285	320	360	415	480	585	670	980	1144	1250	1366	1450
C	160	160	180	200	200	250	250	280	320	350	350	500	500	500	650

PN16

DN	40	50	65	80	100	125	150	200	250	300	350	400	450	500	600
L	240	250	270	280	300	325	350	400	450	500	550	600	650	700	800
D	150	165	185	200	220	250	285	340	405	460	520	580	640	715	840
D1	110	125	145	160	180	210	240	295	355	410	470	525	585	650	770
D2	88	102	122	138	158	188	212	268	320	378	438	490	548	610	725
b	17	17	17	17	19	19	19	22	23	26	28	30	30	32	36
n-d	4-18	4-18	4-18	8-18	8-18	8-18	8-22	12-22	12-28	12-28	16-26	16-30	20-30	20-34	20-36
H	200	215	245	285	320	360	415	480	585	670	980	1144	1250	1366	1450
C	160	160	180	200	200	250	250	280	320	350	350	500	500	500	650