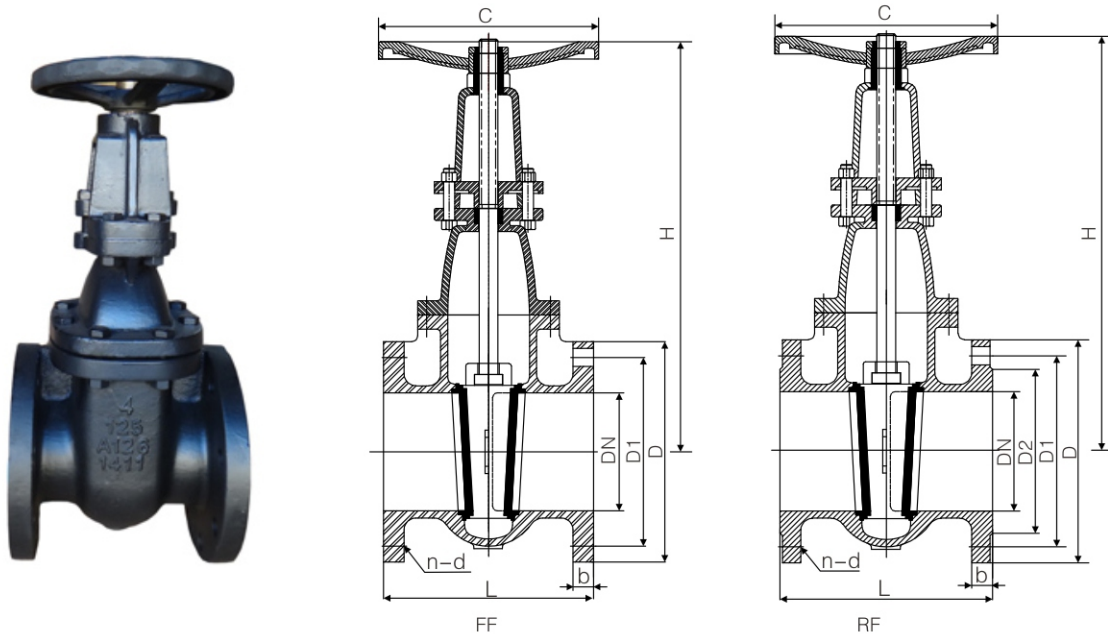


美标明杆硬密封闸阀 ANSI OS&Y Stem Metal Seat Gate Valve
FC-013

标准 Standard

设计标准 Design Standard	结构长度 Face to Face	法兰连接 Flanges connection
MSS SP-70 AWWA C509	ANSI B16.10	ANSI B16.1 ANSI B16.5

性能规范 Performance specification

公称压力等级 Normal pressure	壳体测试 Shell test	密封测试 Sealing test	上密封测试 Back seal test
125LB	2.5MPa	1.1MPa	1.1MPa
150LB	3.0MPa	2.2MPa	2.2MPa

主要零件材料 Main parts materials

阀体 Body	阀盖 Bonnet	阀杆 Stem	阀瓣 Disc	阀座 Seat	螺母 Stem Nut	工作温度 °C Working temperature	适用介质 Suitable medium
A126 A536	A126 A536	2Cr13 SS304 SS316 BRASS	A126/A536 with Brass/Bronze/ Stainless Steel	Brass Bronze Stainless Steel	Brass	-20°C-120°C	Water Steam Oil Gas

主要外型及连接尺寸 Main external and connection dimension

125LB

DN	2"	2 1/2"	3"	4"	5"	6"	8"	10"	12"
L	178	190	203	229	254	267	292	330	356
D	152	178	191	229	254	279	343	406	483
D1	121	140	152	191	216	241	299	362	432
b	20	20	22	24	26	26	26	28	28
n-d	4-18	4-18	4-18	8-18	8-22	8-22	8-22	12-26	12-26
H	347	390	470	535	644	739	936	1133	1330
C	180	180	200	200	280	280	320	350	350

150LB

DN	2"	2 1/2"	3"	4"	5"	6"	8"	10"	12"
L	178	190	203	229	254	267	292	330	356
D	152	178	191	229	254	279	343	406	483
D1	121	140	152	191	216	241	299	362	432
D2	98	118	129	168	193	213	271	332	402
b	20	20	22	24	26	26	26	28	28
n-d	4-18	4-18	4-18	8-18	8-22	8-22	8-22	12-26	12-26
H	347	390	470	535	644	739	936	1133	1330
C	180	180	200	200	280	280	320	350	350