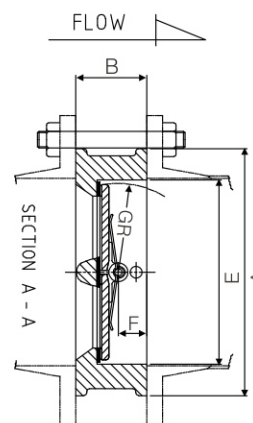
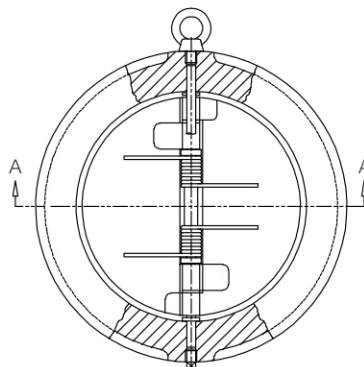


对夹式止回阀 Wafer Type Check Valve



标准 Standard

| 设计标准<br>Design Standard | 结构长度<br>Face to Face | 法兰连接<br>Flanges connection |
|-------------------------|----------------------|----------------------------|
| GB12238-59<br>BS5153    | BS5153<br>ANSI B16.1 | WAFER                      |

性能规范 Performance specification

| 公称压力等级<br>Nominal pressure | 壳体测试<br>Shell test | 密封测试<br>Sealing test |
|----------------------------|--------------------|----------------------|
| PN10                       | 1.5MPa             | 1.1MPa               |
| PN16                       | 2.4MPa             | 1.76MPa              |
| 150LB                      | 3.0MPa             | 2.2MPa               |

主要零件材料 Main parts materials

| 阀体<br>Body                            | 阀瓣<br>Disc                            | 阀座<br>Seat          | 弹簧<br>Spring   | 销轴<br>Pin               | 工作温度 °C<br>Working temperature | 适用介质<br>Suitable medium      |
|---------------------------------------|---------------------------------------|---------------------|----------------|-------------------------|--------------------------------|------------------------------|
| GG20<br>GG25<br>GGG40<br>GGG50<br>WCB | Ductile Iron<br>Bronze<br>CF8<br>CF8M | NBR<br>EPDM<br>PTFE | SS304<br>SS316 | 2Cr13<br>SS304<br>SS316 | -20°C-120°C                    | Water<br>Steam<br>Oil<br>Gas |

主要外型及连接尺寸 Main external and connection dimension

PN10

| DN | 50   | 65   | 80   | 100  | 125  | 150  | 200   | 250 | 300   | 350   | 400   | 450   | 500 | 600   |
|----|------|------|------|------|------|------|-------|-----|-------|-------|-------|-------|-----|-------|
| A  | 107  | 127  | 142  | 164  | 192  | 218  | 273   | 328 | 378   | 438   | 489   | 539   | 594 | 695   |
| E  | 65   | 80   | 94   | 117  | 145  | 170  | 224   | 265 | 310   | 360   | 410   | 450   | 505 | 624   |
| B  | 43   | 46   | 64   | 64   | 70   | 76   | 89    | 114 | 114   | 127   | 140   | 152   | 152 | 178   |
| GR | 28.8 | 36.1 | 43.4 | 52.8 | 65.7 | 78.6 | 104.4 | 127 | 148.3 | 172.4 | 197.4 | 217.8 | 241 | 295.4 |
| F  | 19   | 20   | 28   | 27   | 30   | 31   | 33    | 50  | 43    | 45    | 52    | 58    | 58  | 73    |

PN10

| DN | 50   | 65   | 80   | 100  | 125  | 150  | 200   | 250 | 300   | 350   | 400   | 450   | 500 | 600   |
|----|------|------|------|------|------|------|-------|-----|-------|-------|-------|-------|-----|-------|
| A  | 107  | 127  | 142  | 164  | 192  | 218  | 273   | 328 | 378   | 438   | 489   | 555   | 617 | 734   |
| E  | 65   | 80   | 94   | 117  | 145  | 170  | 224   | 265 | 310   | 360   | 410   | 450   | 505 | 624   |
| B  | 43   | 46   | 64   | 64   | 70   | 76   | 89    | 114 | 114   | 127   | 140   | 152   | 152 | 178   |
| GR | 28.8 | 36.1 | 43.4 | 52.8 | 65.7 | 78.6 | 104.4 | 127 | 148.3 | 172.4 | 197.4 | 217.8 | 241 | 295.4 |
| F  | 19   | 20   | 28   | 27   | 30   | 31   | 33    | 50  | 43    | 45    | 52    | 58    | 58  | 73    |

150LB

| DN | 2"   | 2 1/2" | 3"   | 4"   | 5"   | 6"   | 8"    | 10" | 12"   | 14"   | 16"   | 18"   | 20" | 24"   |
|----|------|--------|------|------|------|------|-------|-----|-------|-------|-------|-------|-----|-------|
| A  | 102  | 121    | 134  | 171  | 193  | 219  | 276   | 336 | 406   | 448   | 489   | 511   | 546 | 714   |
| E  | 65   | 80     | 94   | 117  | 145  | 170  | 224   | 265 | 310   | 360   | 410   | 450   | 505 | 624   |
| B  | 43   | 46     | 64   | 64   | 70   | 76   | 89    | 114 | 114   | 127   | 140   | 152   | 152 | 178   |
| GR | 28.8 | 36.1   | 43.4 | 52.8 | 65.7 | 78.6 | 104.4 | 127 | 148.3 | 172.4 | 197.4 | 217.8 | 241 | 295.4 |
| F  | 19   | 20     | 28   | 27   | 30   | 31   | 33    | 50  | 43    | 45    | 52    | 58    | 58  | 73    |