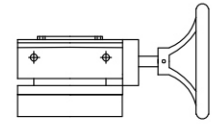
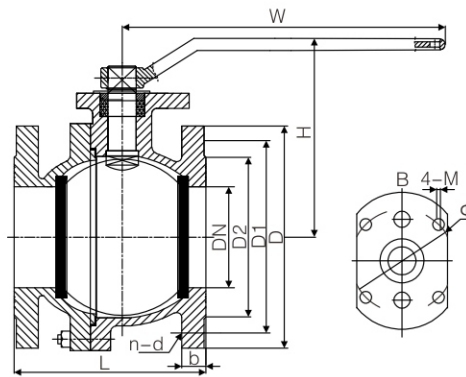
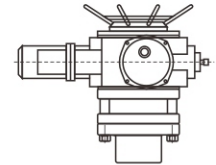


德标球阀 DIN Ball Valve
FC-023


Gear box



Electric actuator

标准 Standard

| 设计标准 Design Standard | 结构长度 Face to Face | 法兰连接 Flanges connection |
|-------------------------|-----------------------------------|---|
| DIN3357 | DIN3202-F4 DIN3202-F5 EN558 | DIN2532 DIN2533 DIN2501 EN1092 |

性能规范 Performance specification

| 公称压力等级 Nominal pressure | 壳体测试 Shell test | 密封测试 Sealing test | 气密封测试 Air seal test |
|----------------------------|--------------------|----------------------|------------------------|
| PN10 | 1.5MPa | 1.1MPa | 0.6MPa |
| PN16 | 2.4MPa | 1.76MPa | 0.6MPa |

主要零件材料 Main parts materials

| 阀体 Body | 阀盖 Bonnet | 阀杆 Stem | 球 Ball | 阀座 Seat | 工作温度 °C Working temperature | 适用介质 Suitable medium |
|--------------------------------|--------------------------------|----------------------------------|-------------------------------------|---------------------|--------------------------------|------------------------------|
| GG20 GG25 GGG40 GGG50 | GG20 GG25 GGG40 GGG50 | 2Cr13 SS304 SS316 BRASS | A105+ENP 2Cr13 SS304 SS316 | NBR EPDM PTFE | -20°C-120°C | Water Steam Oil Gas |

主要外型及连接尺寸 Main external and connection dimension

PN10

| DN | 15 | 20 | 25 | 32 | 40 | 50 | 65 | 80 | 100 | 125 | 150 | 200 | 250 | 300 |
|-----|------|------|------|------|------|------|------|------|------|------|------|------|-------|-------|
| L | 115 | 120 | 125 | 130 | 140 | 150 | 170 | 180 | 190 | 325 | 350 | 400 | 450 | 500 |
| D | 95 | 105 | 115 | 140 | 150 | 165 | 185 | 200 | 220 | 250 | 285 | 340 | 395 | 445 |
| D1 | 65 | 75 | 85 | 100 | 110 | 125 | 145 | 160 | 180 | 210 | 240 | 295 | 350 | 400 |
| D2 | 45 | 58 | 68 | 78 | 88 | 102 | 122 | 138 | 158 | 188 | 212 | 268 | 320 | 370 |
| b | 14 | 16 | 16 | 18 | 18 | 20 | 20 | 22 | 24 | 26 | 26 | 30 | 32 | 32 |
| n-d | 4-14 | 4-14 | 4-14 | 4-18 | 4-18 | 4-18 | 4-18 | 8-18 | 8-18 | 8-18 | 8-22 | 8-22 | 12-22 | 12-22 |
| H | 78 | 113 | 107 | 113 | 130 | 146 | 176 | 222 | 222 | 250 | 275 | 325 | 350 | 450 |
| W | 120 | 140 | 150 | 195 | 205 | 245 | 285 | 300 | 320 | 350 | 600 | 650 | 650 | 700 |
| Φ | 42 | 42 | 42 | 50 | 50 | 70 | 102 | 102 | 102 | 125 | 140 | 165 | 165 | 165 |
| 4-M | M5 | M5 | M5 | M6 | M6 | M8 | M10 | M10 | M10 | M12 | M16 | M20 | M20 | M20 |

PN16

| DN | 15 | 20 | 25 | 32 | 40 | 50 | 65 | 80 | 100 | 125 | 150 | 200 | 250 | 300 |
|-----|------|------|------|------|------|------|------|------|------|------|------|-------|-------|-------|
| L | 115 | 120 | 125 | 130 | 140 | 150 | 170 | 180 | 190 | 325 | 350 | 400 | 450 | 500 |
| D | 95 | 105 | 115 | 140 | 150 | 165 | 185 | 200 | 220 | 250 | 285 | 340 | 405 | 460 |
| D1 | 65 | 75 | 85 | 100 | 110 | 125 | 145 | 160 | 180 | 210 | 240 | 295 | 355 | 410 |
| D2 | 45 | 58 | 68 | 78 | 88 | 102 | 122 | 138 | 158 | 188 | 212 | 268 | 320 | 378 |
| b | 14 | 16 | 16 | 18 | 18 | 20 | 20 | 22 | 24 | 26 | 26 | 30 | 32 | 32 |
| n-d | 4-14 | 4-14 | 4-14 | 4-19 | 4-19 | 4-19 | 4-19 | 8-19 | 8-19 | 8-19 | 8-23 | 12-23 | 12-27 | 12-27 |
| H | 78 | 113 | 107 | 113 | 130 | 146 | 176 | 222 | 222 | 250 | 275 | 325 | 350 | 450 |
| W | 120 | 140 | 150 | 195 | 205 | 245 | 285 | 300 | 320 | 350 | 600 | 650 | 650 | 700 |
| Φ | 42 | 42 | 42 | 50 | 50 | 70 | 102 | 102 | 102 | 125 | 140 | 165 | 165 | 165 |
| 4-M | M5 | M5 | M5 | M6 | M6 | M8 | M10 | M10 | M10 | M12 | M16 | M20 | M20 | M20 |