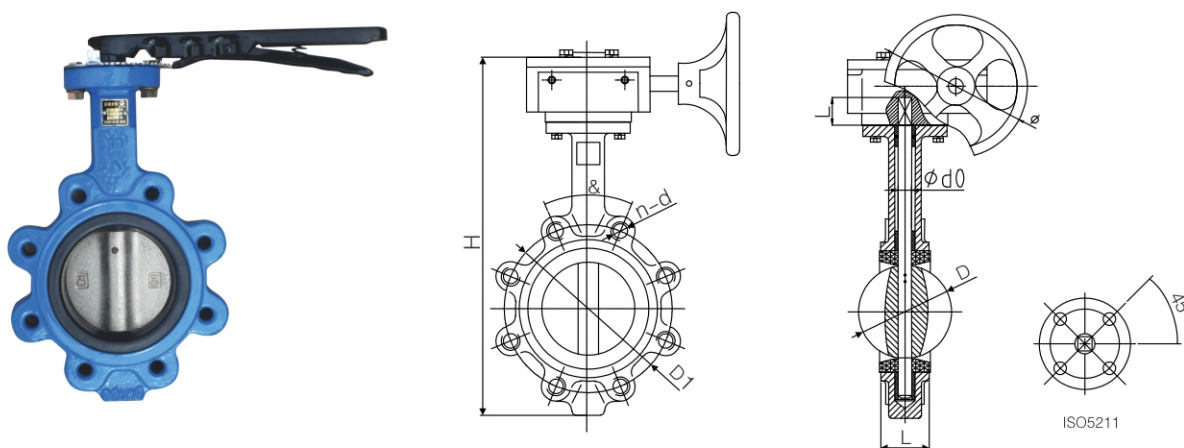


LUG蝶阀 LUG Type Butterfly Valve



标准 Standard

设计标准 Design Standard	结构长度 Face to Face	法兰连接 Flanges connection
BS5155 MSS SP67	DIN3202 MSS SP67	WAFER

性能规范 Performance specification

公称压力等级 Nominal pressure	壳体测试 Shell test	密封测试 Sealing test
PN10	1.5MPa	1.1MPa
PN16	2.4MPa	1.76MPa
150LB	3.0MPa	2.2MPa

主要零件材料 Main parts materials

阀体 Body	阀瓣 Disc	阀座 Seat	阀杆 Stem	工作温度 °C Working temperature	适用介质 Suitable medium
GG20 GG25 GGG40 GGG50	Ductile Iron Bronze CF8 CF8M	NBR EPDM	2Cr13 SS304 SS316 BRASS	-20°C-120°C	Water Steam Oil Gas

主要外型及连接尺寸 Main external and connection dimension

PN10

	50	65	80	100	125	150	200	250	300	350	400	450	500	600
L	42	44.7	45.2	52	54.4	55.8	60.6	65.6	76.9	76.5	86.5	102	127	152
D1	125	145	160	180	210	240	295	350	400	460	515	565	620	725
&	90	90	45	45	45	45	45	30	30	22.5	22.5	18	18	18
H	316	339	351	389	415	440	521	581	662	718	835	896	987	1169
D	52.9	64.5	78.8	104	123.3	155.1	202.5	250.5	301.6	333.3	389.6	440.5	491.6	592.5
n-d	4-16	4-16	8-16	8-16	8-16	8-20	8-20	12-20	12-20	16-20	16-24	20-24	20-24	20-27
ISO5211	F07	F07	F07	F07	F07	F07	F10	F10	F10	F10	F14	F14	F14	F16

PN16

	50	65	80	100	125	150	200	250	300	350	400	450	500	600
L	42	44.7	45.2	52	54.4	55.8	60.6	65.6	76.9	76.5	86.5	102	127	152
D1	125	145	160	180	210	240	295	355	410	470	525	585	650	770
&	90	90	45	45	45	45	30	30	30	22.5	22.5	18	18	18
H	316	339	351	389	415	440	521	581	662	718	835	896	987	1169
D	52.9	64.5	78.8	104	123.3	155.1	202.5	250.5	301.6	333.3	389.6	440.5	491.6	592.5
n-d	4-16	4-16	8-16	8-16	8-16	8-20	12-20	12-24	12-24	16-24	16-27	20-27	20-30	20-33
ISO5211	F07	F07	F07	F07	F07	F07	F10	F10	F10	F10	F14	F14	F14	F16

150LB

	2"	2 1/2"	3"	4"	5"	6"	8"	10"	12"	14"	16"	18"	20"	24"
L	42	44.7	45.2	52	54.4	55.8	60.6	65.6	76.9	76.5	86.5	102	127	152
D1	120.6	139.7	152.4	190.5	215.9	241.3	298.4	361.9	431.8	476.2	539.7	577.8	635	749.3
&	90	90	90	45	45	45	45	30	30	30	22.5	22.5	18	18
H	316	339	351	389	415	440	521	581	662	718	835	896	987	1169
D	52.9	64.5	78.8	104	123.3	155.1	202.5	250.5	301.6	333.3	389.6	440.5	491.6	592.5
n-d	4-5/8"	4-5/8"	4-5/8"	8-5/8"	8-3/4"	8-3/4"	8-3/4"	12-7/8"	12-7/8"	12-1"	16-1"	16-1.1/8"	20-1.1/8"	20-1.1/4"
ISO5211	F07	F07	F07	F07	F07	F07	F10	F10	F10	F10	F14	F14	F14	F16