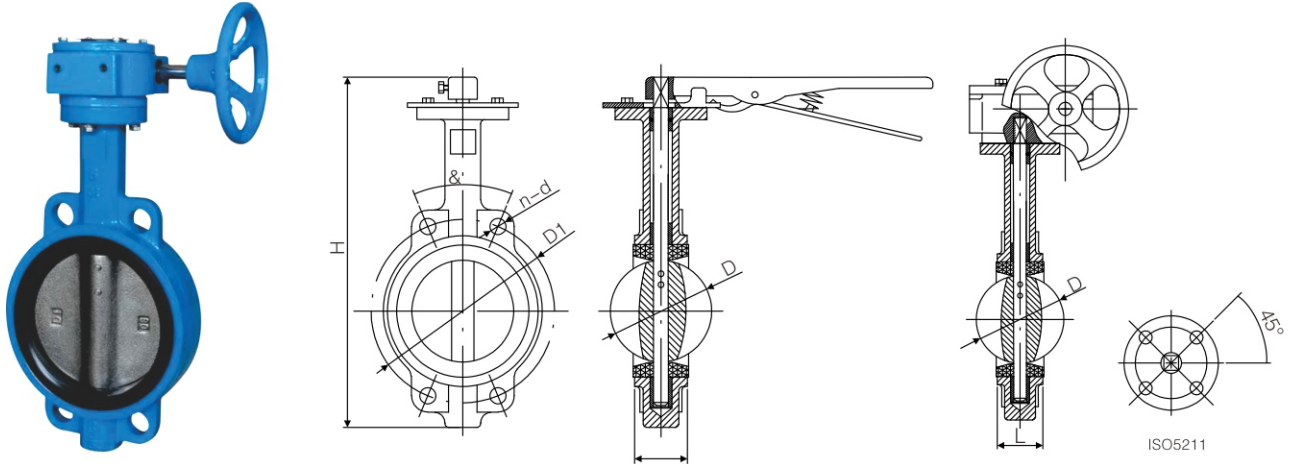


**对夹式蝶阀 Wafer Type Butterfly Valve**
**FC-027**

**标准 Standard**

设计标准 Design Standard	结构长度 Face to Face	法兰连接 Flanges connection
BS5155 MSS SP67	DIN3202 MSS SP67	WAFER

**性能规范 Performance specification**

公称压力等级 Nominal pressure	壳体测试 Shell test	密封测试 Sealing test
PN10	1.5MPa	1.1MPa
PN16	2.4MPa	1.76MPa
150LB	3.0MPa	2.2MPa

**主要零件材料 Main parts materials**

阀体 Body	阀瓣 Disc	阀座 Seat	阀杆 Stem	工作温度 °C Working temperature	适用介质 Suitable medium
GG20 GG25 GGG40 GGG50	Ductile Iron Bronze CF8 CF8M	NBR EPDM	2Cr13 SS304 SS316 BRASS	-20°C-120°C	Water Steam Oil Gas

**主要外型及连接尺寸 Main external and connection dimension**

PN16

DN	50	65	80	100	125	150	200	250	300
L	42	44.7	45.2	52	54.4	55.8	60.6	65.6	76.9
D1	125	145	160	180	210	240	295	355	410
&	90	90	45	45	45	45	30	30	30
H	241	264	276	314	340	365	435	495	579
D	52.9	64.5	78.8	104	123.3	155.1	202.5	250.5	301.6
n-d	4-10	4-10	4-10	4-10	4-10	4-10	4-12	4-12	4-12
ISO5211	F07	F07	F07	F07	F07	F07	F10	F10	F10

150LB

DN	2"	2 1/2"	3"	4"	5"	6"	8"	10"	12"
L	42	44.7	45.2	52	54.4	55.8	60.6	65.6	76.9
D1	120.6	139.7	152.4	190.5	215.9	241.3	298.4	361.9	431.8
&	90	90	90	45	45	45	45	30	30
H	241	264	276	314	340	365	435	495	579
D	52.9	64.5	78.8	104	123.3	155.1	202.5	250.5	301.6
n-d	4-19	4-19	4-19	4-19	4-22.4	4-22.4	4-22.4	4-25.4	4-25.4
ISO5211	F07	F07	F07	F07	F07	F07	F10	F10	F10