

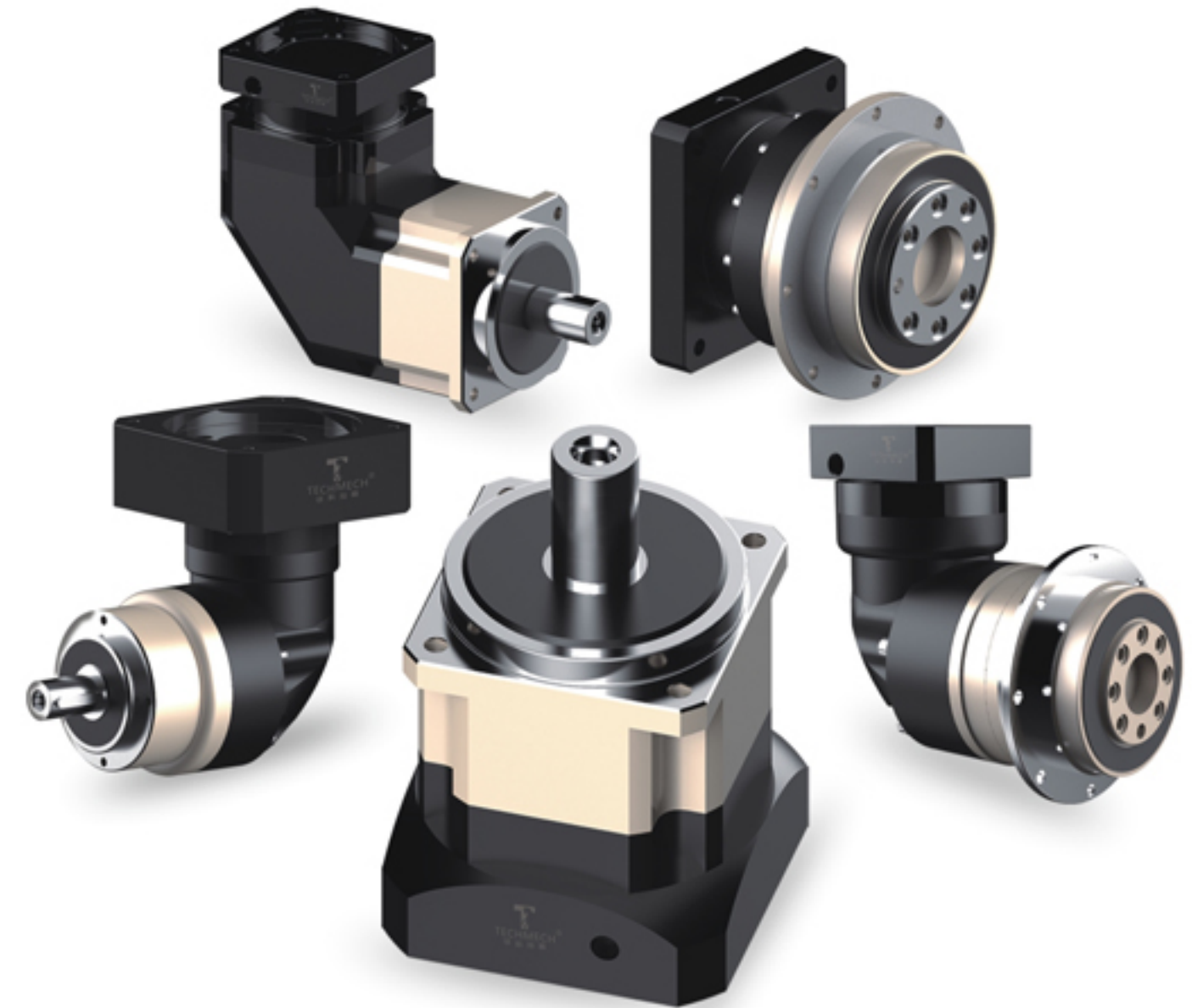
采用生态纸印刷



YOUR TRUSTWORTHY CHOICE

您可信赖的选择

www.techmech.cn



www.techmech.cn

TECHMECH[®]
钛科玛格

STRIVE FOR PRECISION

▶ 為精密而努力！

Since its inception, TECHMECH has been dedicated to the overall solution of automation transmission products and services. The company has many years of production experience and has been serving the mid- to high-end market of the automation industry.

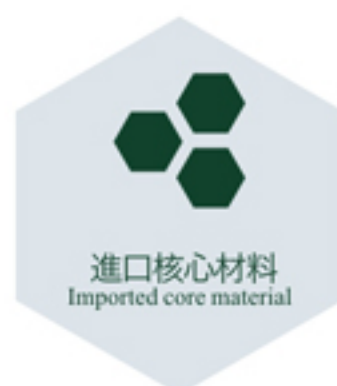
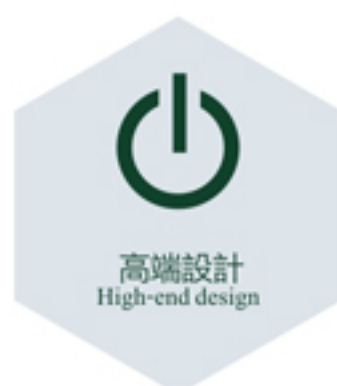
We not only have more than 20 years of experience in multinational company management, but also a team of engineers with rich experience in mechanical, electromechanical and process design.



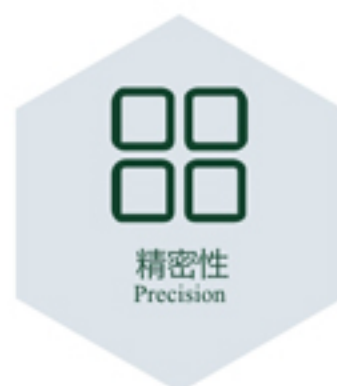
PRECISION PLANET REDUCER

精密行星減速機

High Precision / High Rigidity / High Power



“ 我們為客戶定制高精度、高剛性、高扭矩的精密行星減速器
We customize high precision, high rigidity, high torque precision planetary reducers for our customers. ”



致客戶詞 TO CUSTOMER	01
我們的承諾 OUR COMMITMENT	03
市場分布 MARKET DISTRIBUTION	05
加工設備 PROCESSING EQUIPMENT	07
行業應用 APPLICATION	09
高品質產品 HIGH QUALITY PRODUCTS	11

13	客戶服務 CUSTOMER SERVICE
15	團隊 SERVICE
17	研發創新 RESEARCH & DEVELOPMENT
19	解決方案 SOLUTION
23	產品特性 PRODUCT FEATURES
24	減速機選型 PRODUCT FEATURES
25	TB系列 TB SERIES
49	TD系列 TD SERIES
69	TE系列 TD SERIES

CONTENTS

目錄



在這裏，您能享受的是
工廠的直銷價格和專業的解決方案。

钛科瑪格自成立以來致力於自動化傳動產品及服務的整體解決方案，公司擁有多年的生產經驗，壹直服務於自動化配套各行業的中高端市場。

钛科瑪格采用美外先進技術，專業制造精密行星減速機，擁有先進的滾齒機、高精度齒輪磨床、臥式加工中心、三坐標測量機、齒形齒向測試儀、以及電腦型萬能工具顯微鏡等近60多套的生產加工設備。

多年來我們以品質產品為主軸，精心服務為後盾，以及快捷及時的交貨，構建完整的支援網絡服務廣大客戶群，全面滿足客戶需求，以良好的信譽贏得了廣大客戶的點贊和認可。

Here, what you can enjoy is
Factory direct prices and professional solutions.

Since its inception, TECHMECH has been dedicated to the overall solution of automation transmission products and services. The company has many years of production experience and has been serving the mid- to high-end market of the automation industry.

We not only have more than 20 years of experience in multinational company management, but also a team of engineers with rich experience in mechanical, electromechanical and process design.

Over the years, we have taken quality products as the main mission, meticulous service as the guideline, and fast and timely delivery, built a complete support network serve our customers, fully meet customer needs, and won the praise and recognition of our customers with good reputation.

致客戶詞 TO CUSTOMER

高強度、高精度。
良好的合作夥伴關係。

我們始終致力於能夠以有限的零件系列組合出近乎無窮多的減速機類型，並希望這壹過程能夠足夠簡便。

可通過我們對應用需求的理解、發揮減速機模塊的智能性並借助個性化研發在短期內制定專業的可信賴的解決方案來實現。

我們的減速機不斷完善。

堅實可靠！始終如壹！信守承諾！

High strength and high precision.
Good partnership.

We are always committed to combining nearly unlimited types of gearboxes with a limited range of parts and hope that this process will be simple enough.

This can be achieved through our understanding of the application requirements, the intelligence of the reducer module and the development of a professional solution in a short period of time with individual research and development.

Our reducers are constantly improving.

Solid and reliable! Always the same! Keep your promise!



卓越與專業相結合使我們成為傳動裝置領域的先鋒和技術領導者,快速交付滿足不同地區的需求並保證供貨時間和貨物調度的靈活性。

The combination of excellence and professionalism has made us a pioneer and technology leader in the field of transmissions, delivering fast delivery to meet the needs of different regions and ensuring flexibility in delivery time and cargo dispatch.

選擇我們, 精密減速機中的優先選擇!
CHOOSE US, THE PREFERRED CHOICE OF REDUCERS!



可信賴的選擇

目前我們的產品已經應用於工業領域的各個行業, 適用於機床、機械手、印刷設備、紡織機械、包裝機械、非標自動化、醫療設備, 檢查設備、激光切割、焊接、汽車製造、衛星通訊、金屬加工、制藥行業等工業領域。

Trustworthy Choice

At present, our products have been applied to various areas in the industrial field, suitable for machine tools, robots, printing equipment, textile machinery, packaging machinery, non-standard automation, medical equipment, inspection equipment, laser cutting, welding, automobile manufacturing, satellite communication, metal. Industrial fields such as processing and pharmaceutical industries.

我們的承諾 OUR COMMITMENT



品牌優勢

長期專注開發及生產高精密的行星減速機, 憑借出色的產品、服務品質及深厚的品牌底蘊, 贏得了業界和市場的廣泛認同, 擁有眾多榮譽。

Branded advantages

Long-term focus on the development and production of high-precision planetary reducers, with outstanding products, service quality and deep brand heritage, has won widespread recognition in the industry and the market, with many honors.



行業優勢

依托企業內外優勢資源, 聚焦國內外行業先進技術和創新理念, 保持對市場卓越的前著性。培育和孵化新的產品、業務模式, 為客戶創造持續的投資回報。

Industry advantage

Relying on the superior and internal resources of the company, focusing on the advanced technology and innovative ideas of domestic and foreign industries, and maintaining the pre-existence of market excellence. Cultivate and incubate new products and business models to create sustainable and excellent return on investment for customers.



資源優勢

鈦科瑪格是國內較早傳動技術領域的企業之壹, 擁有臺企背景和資本市場良好的融資渠道, 可以為項目建設、運營提供有力的支持。

Resource advantage

TECHMECH is one of the earliest companies in the field of transmission technology in China. It has a good financing channel for the background of Taiwan enterprises and the capital market, and can provide strong support for project construction and operation.



我們的能力 Our ability



憑借擁有高科技和創新技術, 持續研發以及精密的制造技術, 高效良好的客戶服務, 使得鈦科瑪格能確保穩定的品質。

With high-tech and innovative technology, continuous research and development, and sophisticated manufacturing technology, high-quality and efficient customer service enables TECHMECH to ensure stable quality.

市場分布 MARKET DISTRIBUTION

服務眾多 客戶遍布全球

從最初的摸索嘗試，到如今“開發”“生產”“銷售”“服務”全方位業務網絡覆蓋全球大部分地區。為滿足客戶所邁出的每壹步，無不體現著精密機械的不斷發展。我們努力運用特有的智慧方案，為更多的城市帶去服務。

Numerous services Customers all over the world

From the initial exploration, to the "development", "production", "sales" and "support" all-round business network covering most of the world. In order to meet every step taken by customers, it reflects the continuous development of precision machinery. We strive to use our unique smart solutions to bring services to more cities.



自開展業務以來，我們壹直致力於將細心、周到、壹切為顧客著想的基本銷售理念與中國的本土需求相結合，根據客戶的分布和市場需求，為客戶提供壹系列環保、安全、舒適、便利的產品。

Since the launch of our business, we have been committed to combining the basic sales philosophy of being careful, thoughtful and customer-oriented with the local needs of China. We provide customers with a series of environmental protection, safety, comfort and convenience according to the distribution of customers and market demand. The product.

歐洲

白俄羅斯、烏克蘭、摩爾多瓦

亞洲

印度、巴基斯坦、塔吉克斯坦

非洲

加納、肯尼亞



精密的產品 源於先進的加工設備

SOPHISTICATED PRODUCT COME FROM ADVANCED PROCESSING EQUIPMENT



性能卓越

鈦科瑪格傳動裝置

鈦科瑪格斥巨資引進壹批先進的加工設備，產品制程全部自主完成，保障精實制造。

減速機核心零部件均采用精品化生產，“實現專業人做專業事，專業企業做專業零件”，外齒采用硬刮削，內齒采用多次拉削，所有零件經品質管理體系全檢，分類組裝。

Excellent Performance Techmech Drive

TECHMECH has invested heavily in the introduction of a number of advanced processing equipment, and the product process has been completed independently, ensuring lean manufacturing.

The core components of the reducer are all produced in a high-quality manner, which enables professional people to do professional things, professional enterprises to do professional parts, the external teeth are hard scraped, the internal teeth are used for multiple pulling, and all parts are fully inspected by quality management system.

鈦科瑪格在行星減速機研發和生產方面不斷探索新的領域，憑借客戶至上的理念、穩定的高品質和強大的全球創新能力為許多行業和應用場合開發定制系統解決方案。

TECHMECH continues to explore new areas in the development and production of planetary reducers, developing custom system solutions for many industries and applications with a customer-first philosophy, consistently high quality and strong global innovation.



資源優勢

卓越與專業相結合——使我們成為傳動裝置領域的先鋒和技術領導者
快速交付——滿足不同地區的需求並保證供貨時間和貨物調度的靈活性
創新啟發——高科技和創新技術，持續研發以及精密的制造技術
可靠性、精度和質量——提升零件精度，確保穩定的品質
永遠可靠的合作夥伴——我們與客戶共同開發合適的解決方案
暢銷國際——鈦科瑪格無所不在

Resource advantage

Excellence and professionalism----making us a pioneer and technology leader in the field of transmissions
Fast delivery----to meet the needs of different regions and guarantee the flexibility of delivery time and cargo dispatching
Inspiration for innovation----high-tech and innovative technology, continuous research and development and sophisticated manufacturing technology
Reliability, precision and quality----improve part accuracy and ensure stable quality
Always reliable partner----We work with our customers to develop the right solution
Bestselling international----TECHMECH is omnipresent

全員參與

事無巨細

精益求精

持續改進

高效保障

高度靈活

行業應用 APPLICATION

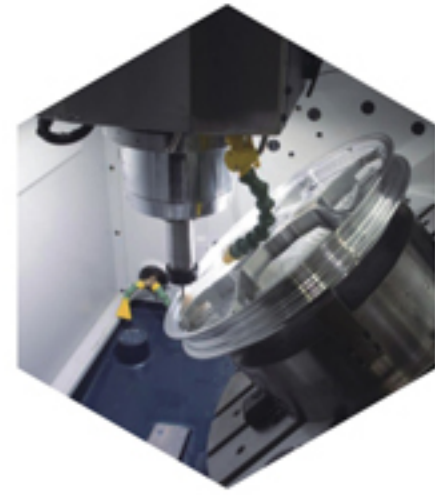


包裝印刷行業

設計了壹系列運用於包裝技術中的各個軸上的齒輪箱，適用於較大工作效率、複雜工況和高速連續運轉。

Packing & Tooling

A range of gearboxes for each of the shafts used in packaging technology are designed for maximum efficiency, complex conditions and high speed continuous operation.



機床設備

機械傳動系統，例如齒輪箱帶小齒輪齒條，鈦科瑪格可現場諮詢和豐富的工程專業知識可保證高強度、高品質的最終產品。

Machine Tooling

Mechanical transmission systems, such as gearboxes with pinion racks, On-site consultation and extensive engineering expertise ensure a quality and efficient end product.



食品行業

經過認證的衛生設計，全面的應用知識，包含防水型，適用於較大工作效率和連續高速運轉。

Food Industry

Certified hygienic design, comprehensive application knowledge, including waterproof, for maximum productivity and high speed continuous operation.



藥劑行業

減速機靈活耐用，是高品質的技術流程及其他連續工作制應用的專業解決方案。

Pharmaceutical industry

The flexible and durable reducer is the perfect solution for high-quality technical processes and other continuous work applications.



自動化/機器人

經濟型減速機解決方案，在驅動領域積累了豐富的經驗，多樣的伺服齒輪箱和機械傳動系統可應用於各種機器人及其輔助軸上。

Automation / robot

The economical reducer solution has accumulated rich experience in the field of drive. Various servo gearboxes and mechanical drive systems can be applied to various robots and their auxiliary shafts.



農產品行業

減速機運行可靠且使用壽命極長，適用於惡劣環境。高精度、運行穩定和高效率都源於穩定、零背隙和高剛度的機械系統解決方案。

Agricultural product industry

The gearbox operates reliably and has a very long service life for harsh environments. High precision, stable operation and high efficiency are all derived from stable, zero backlash and high stiffness mechanical system solutions.

我們通過完整的銷售和服務網絡，在全球各地提供快速出貨和強大的支持。憑借多年的豐富經驗，我們的技術專家為各行業提供市場可靠的諮詢服務。

The combination of excellence and professionalism has made us a pioneer and technology leader in the field of transmissions, delivering fast delivery to meet the needs of different regions and guarantee delivery time and cargo scheduling flexibility.

我們的優勢 Our Advantage



我們壹直以堅持為客戶提供高效的產品作為企業的核心理念，我們始終堅信品質是企業生存的根本。

We have always insisted on providing our customers with the best quality products. The core concept of the company, we always believe that quality is the foundation of the company's survival.

高品質產品 HIGH QUALITY PRODUCTS



精密
Precision

減速機核心零部件均採用日本、臺灣專業企業生產，外齒採用硬刮削，內齒採用多次拉削，所有零件經新的體系全檢，分類組裝。



The core components of the reducer are produced by professional companies in Japan and Taiwan. The external teeth are hard shaped, the internal teeth are broached several times, and all parts are fully inspected and assembled by the new system.



高效
Efficient

輸入端與馬達連接採用雙開口、雙螺釘筒夾式的鎖緊機構，以確保在高輸入轉速下的動平衡，結合面的同心度和零側隙的動力傳遞；



The input end is connected to the motor by a double-opening, double-screw collet type locking mechanism to ensure dynamic balance at high input speed, concentricity of the joint surface and power transmission of zero backlash;



創新
Innovation

大電機可配小減速機，當減速比較小時，滿足足夠的扭矩要求時，可採用小型號減速機，經濟、實惠；外齒輪、內齒圈統由臺灣、日本專業企業生產，經全檢、分類組裝；



The large motor can be equipped with a small reducer. When the deceleration is relatively small and the torque requirement is sufficient, a small type reducer can be used, which is economical and economical. The external gear and the internal ring gear are produced by professional companies in Taiwan and Japan. Classified assembly



簡潔
Concise

外觀造型採用曲、直結合，滿足審美觀需求；外表面處理採用特定工藝，經鹽霧試驗，做到絕對防腐、防銹。



Appearance modeling adopts curved and straight combination to meet the aesthetic requirements; the outer surface treatment adopts a specific process, and the salt spray test is used to achieve absolute anti-corrosion and anti-rust.



穩定
Stable

為更好的實現同軸度要求，滿足低噪聲要求；內部增加調整環，可調整內部軸向遊隙，實現竄動最小化；輸出端採用圓錐滾子軸承承載，滿足更大受力需求和加載後的絕對穩定性。



In order to better achieve the coaxiality requirement and meet the low noise requirement; the adjustment ring is added inside the reducer, the internal axial clearance can be adjusted to minimize the turbulence; the output end of the reducer is supported by a tapered roller bearing to meet the larger Force demand and absolute stability after loading.



國際
International

產品全系列輸出安裝尺寸均以歐洲標準為基準；所有減速機型號都增加有骨架油封，防止減速機高速運轉時漏油；軸承、油封等標準件採用國際、國內名牌產品；



The full range of output and installation dimensions of the products are based on European standards; all reducer models are equipped with a skeleton oil seal to prevent oil leakage when the reducer runs at high speed; standard parts such as bearings and oil seals use international and domestic famous brand products;

行業基準 Industry benchmark



以品質的理念為客戶提供各類非標減速機及傳動機構定制方案。

創新的成熟技術和可信賴的減速機解決方案。

Provide customers with quality concept Various types of non-standard reducer and transmission mechanism customized solution Innovative proven technology and reliable reducer solutions.

我們的產品 傳承著精密結構的基因

精度高，剛性高，高效能，低噪音，低背隙，低溫升，耐久使用幾萬小時不停歇等優點。產品多樣，規格齊全。

Our Products Genes With Precise Structure

High precision, high rigidity, high efficiency, low noise, low backlash, low temperature rise, endurance use for thousands of hours without stopping. The products are diversified and the specifications are complete.





在客戶支持方面，您可以信賴我們。
您的要求 就是我們的動力

目前，我們還在通過鈦科瑪格服務理念在客戶支持領域樹立新的標準。從最初您的構想到整個應用的生命周期，我們隨時為您提供服務。

憑借我們豐富的經驗、多種設計工具及個性化的工程設計服務，通過我們的全球資訊網絡可為您提供支持，幫助您應對複雜的挑戰。



In terms of customer support, you can rely on us.
Your request is our motivation

At present, we are still setting new standards in the field of customer support through the TECHMECH service concept. From the initial idea to the life cycle of the entire application, we are always at your service.

With our extensive experience, multiple design tools and personalized engineering services, we can support you through our global information network to help you meet complex challenges.



復雜的多軸分析，提高性能和生產效率，可使您從我們在機械製造領域多年的工程經驗中獲得收益，突破技術和工藝難點對標國際性能標準，專業服務團隊，超越客戶期望。

Complex multi-axis analysis, improved performance and productivity, allows you to benefit from our many years of engineering experience in the mechanical manufacturing industry, breaking through the technical and technical difficulties to benchmark international leading performance standards, and professional service teams to exceed customer expectations.



提供選型協助

為您提供選型協助，助您選型無憂，也可提供特殊定制化服務方案。

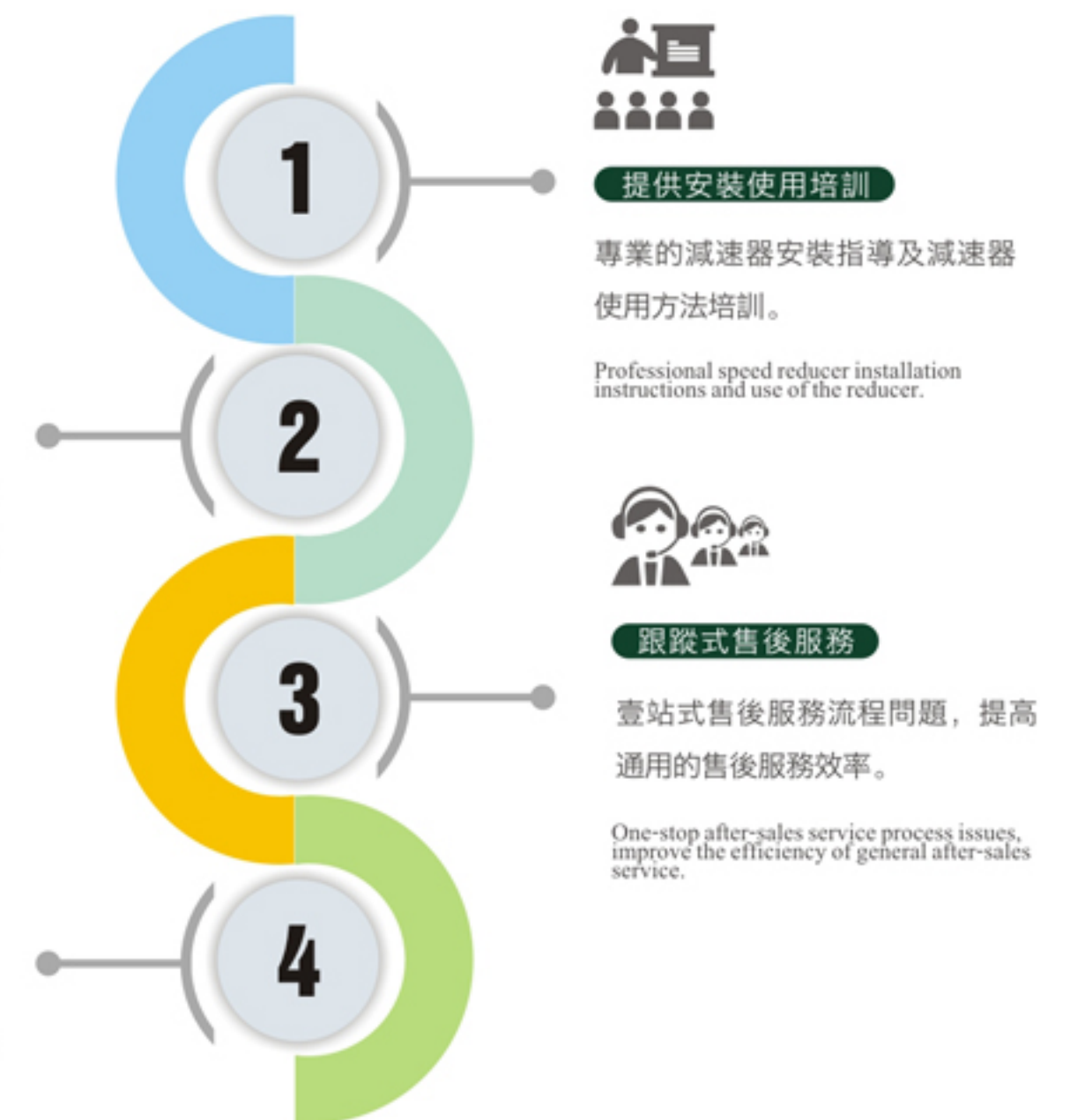
We provide you with selection assistance to help you choose a worry-free solution, as well as special customized service solutions.



減速器檢測服務

突破技術和工藝難點對標國際性能標準。

Break through the technical and technological difficulties to benchmark the international leading performance standards.



鈦科瑪格團隊
CUSTOMER SERVICE



團隊優勢 Team Advantage

我們的團隊富有激情，講究效率，職責明確，銜接有序
在性價比、可追溯性、壹致性和卓越性方面為客戶創造附加價值

OUR TEAM IS PASSIONATE, EFFICIENT, WITH CLEAR RESPONSIBILITIES
AND ORDERLY CONNECTIONS. CREATE ADDED VALUE FOR CUSTOMERS IN TERMS OF
PRICE/PERFORMANCE, TRACEABILITY, CONSISTENCY AND EXCELLENCE

多年來，鈦科瑪格匯聚了壹支在減速機技術行業服務多年，薈萃了生產研發、質量保障、
售後服務、管理和運營各方面的專業人士，堅持做“企業動力，行業專家” 持續為社會
創造價值。

Over the years, TECHMECH has gathered a group of professionals who have been serving in the speed reducer technology
industry for many years, and have gathered all aspects of production R&D, quality assurance, after-sales service, management and
operation, and insisted on “enterprise power, industry experts”. Society creates value.

我們將理念轉變成產品和工藝！
WE TURN IDEAS INTO PRODUCTS AND PROCESSES!



管理團隊 MANAGEMENT TEAM

鈦科瑪格企業戰略的制定者和領導者，秉持“公平公正，嚴格有序”的理念，堅持以全球視野帶領企業發展，充滿進取心和激情。

The founders and leaders of TECHMECH's corporate strategy adhere to the concept of “fairness, justice, strict order” and insist on leading the development of the company with a global vision, full of enterprising spirit and passion.

質量團隊 QUALITY TEAM

以科技創新驅動企業和產業的進步。他們精益求精，求真務實，是鈦科瑪格前進的原動力。

Drive technological and innovation to drive the progress of enterprises and industries. Their excellence, truth-seeking and pragmatism are the driving force behind TECHMECH.



服務團隊 SERVICE TEAM

鈦科瑪格質量體系的建立者和執行者，以專註的精神，始終如壹的責任感，確保每壹件產品的安全和質量。

The founder and executor of the TECHMECH Quality System, with a focused spirit and consistent responsibility, ensures the safety and quality of every product.



技術團隊 TECHNICAL TEAM

鈦科瑪格的工程師及技術服務專員，註重細節，強調無微不至的服務精神。組建了售前至售後全面壹體化的服務體系。

TECHMECH's engineers and technical service specialists pay attention to detail and emphasize the service spirit of “in every possible way”. A comprehensive service system from pre-sales to after-sales has been established.



本公司將長期的專業經驗以及不斷的研發成果運用到客戶解決辦法中。

The company applies long-term professional experience and continuous research and development results to customer solutions.



創新並且獨特
定制減速機

研發感觸

傳承著精密結構的基因，減速機中的優先選擇，鈦科瑪格採用現代化的生產技術和質量管理方法，在性價比、可靠性、可追溯性、壹致性和卓越性方面為客戶創造附加值。



Innovative and unique
Customized reducer

Research and development

Genes with precise structure, Priority in the reducer, TECHMECH uses modern production techniques and quality management methods to create added value for customers in terms of price/performance, reliability, traceability, consistency and excellence.



堅固的結構設計及高性能、特殊的結構需求。食品級的認證和獨特的設計，可滿足客戶在機械領域中的各種複雜要求。

Rugged structural design and high performance, special structural requirements. Food-grade certification and unique design: The company can meet the complex requirements of customers in the mechanical field.



借助現代工藝及設計工具可實現設備制造(例如打印機、操作系統、壓鑄機或塗裝機械手設備)、醫學技術及模型制造等領域中的各項應用，開創嶄新的未來。

With modern processes and design tools, applications in equipment manufacturing (such as printers, operating systems, die casting machines or coating robots), medical technology and model manufacturing can be used to create a new future.



高素質的技術工程師設計減速機系統並解決減速機各種問題。服務、成本和質量恰到好處。

High-quality technical engineers design the reducer system and solve various problems of the reducer. Service, cost and quality are just right.

解決方案 SOLUTION

超強動力，高精度以及良好的合作夥伴關係是本公司多年來始終貫徹執行的經營理念。我們提供多種高精度、高性能的標準系列行星減速機，它們已都經得到了廣泛的應用。作為您技術上的合作夥伴，我們也會提供定制的解決方案；專業的客戶定制減速機。

Super power, high precision and good partnership are the business philosophy that the company has been implementing for many years. We offer a wide range of high precision, high performance standard series planetary reducers, which have been widely used. As a technical partner, we also offer customized solutions; professional custom-made reducers.



我們始終致力於
為每壹個新項目設計出實際可行的解決方案。
WE ARE ALWAYS COMMITTED TO DESIGNING PRACTICAL
SOLUTIONS FOR EVERY NEW PROJECT.

無論最終面臨何種應用情況。我們都能够在許多領域如魚得水，在需要的時間地點帶去我們的專業知識和技能訣竅。其中包括：機械和基礎建設的很多領域、自動化機器人這類專業細分市場、食品和包裝行業、藥品技術和醫藥等敏感領域以及工具或印刷機制造行業。

No matter what application you end up with, we are able to bring our expertise and skills to the needs of the time and place in many areas. These include: many areas of machinery and infrastructure, specialized market segments such as automated robotics, sensitive areas such as food and packaging, pharmaceutical technology and medicine, and tools or press manufacturing.

我們是您在行星減速機領域的專家夥伴 WE ARE YOUR PROFESSIONAL PARTNER IN THE FIELD OF PLANETARY REDUCERS

直至今日，
我們的產品項目實現了
戰略擴展和延伸

Until today,
Our product project has been implemented
Strategic expansion and extension

解決優勢

鈦科瑪格查直是行星減速機領域中可靠、強大且創新不斷的研發團隊和制造商。我們的產品負責傳輸力，無論要求有多複雜。因此，我們逐漸成為了名副其實的驅動技術專家。我們的行業實力達到了客戶在需要尋求創新解決方案時總會前來向我們諮詢的程度。

Advantage in Prolem Solving

TECHMECH is a reliable, powerful and innovative R&D team and manufacturer in the field of planetary reducers. Our products are responsible for the transmission force, no matter how complicated the requirements are. Therefore, we have gradually become a veritable driving technology expert. Our industry strength has reached the point where customers will always come to us when they need to find innovative solutions.

簡單快捷 Simple and fast



如果您對我們的產品和服務有任何的問題，請及時與我們聯繫，我們將竭誠為您服務。

If you have any questions about our products and services, please contact us in time, we will be happy to help you.

我們的能力

如今我們已經幾乎能夠為所有應用情況提供解決方案。作為壹家所有者領導型企業，保持可靠的形象和站在客戶的角度行事對我們而言至關重要。

Our ability

Today we are able to provide solutions for almost all applications. As an owner-led company, it's important for us to maintain a reliable image and act from the customer's perspective.



先進技術 讓傳動更精密

ADVANCED TECHNOLOGY TO MAKE THE DRIVE MORE PRECISE

鈦科瑪格

全面實施標準化生產工藝流程

實現更安全、更穩定、更高效的生產效能創造價值。

TECHMECH

Full implementation of standardized production processes

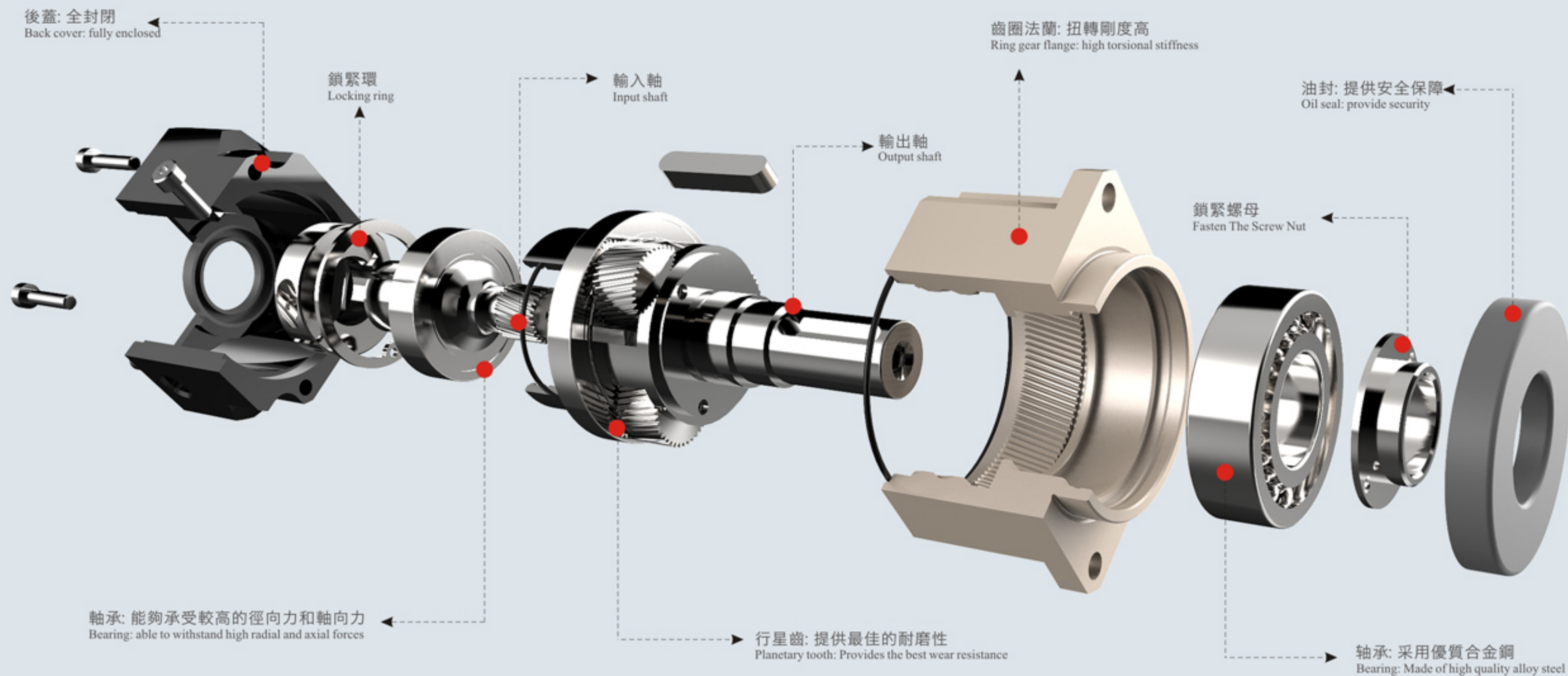
Create value by achieving safer, more stable, and more efficient production performance.

高扭矩，運行安靜，單端低於3弧分，可選擇1弧分規格。雙段減速在7弧分以內。

High torque, quiet operation, single-end less than 3 arc minutes, optional 1 arc sub-size. The double-stage deceleration is within 7 arc minutes.

鈦科瑪格高精度行星減速機以其體積小、力矩大、傳動效率高、減速範圍寬、精度高，而被廣泛應用於伺服、步進等傳動系統中。在保證精密傳動的前提下，主要被用來降低轉速、增大扭矩和降低負載電機的傳動慣量比。

TECHMECH high-precision planetary reducer is widely used in servo, stepping and other transmission systems because of its small size, large torque, high transmission efficiency, wide deceleration range and high precision. Under the premise of ensuring precision transmission, it is mainly used to reduce the speed, increase the torque and reduce the transmission inertia ratio of the load motor.



產品特性 PRODUCT FEATURES

精密行星齒輪減速機是我司自主研發的新壹代實用性產品：

低噪音：低於65db。

低背隙：單級可達3弧分內，雙級可達5弧分內。

高扭矩：比般標準行星減速機扭矩高。

高穩定性：採用高強度合金鋼材，整顆齒輪經硬化處理，非只有表面硬度。

高減速比：採用模組化設計，行星齒箱可相互連結。

The precision planetary gear reducer is a new generation of practical products independently developed by our company:

Low noise: below 65db.

Low backlash: Single stage can reach 3 arcs, and double level can reach 5 arc points.

High torque: Higher torque than standard planetary gearboxes.

High stability: High-strength alloy steel is used, and the whole gear is hardened, not only the surface hardness.

High reduction ratio: modular design, the planetary gear boxes can be connected to each other.

性能特點 Product Characteristics

1. 齒輪：材料採用優質合金鋼，經碳-氮共滲處理，從而獲得最佳的耐磨性和耐沖擊韌性。

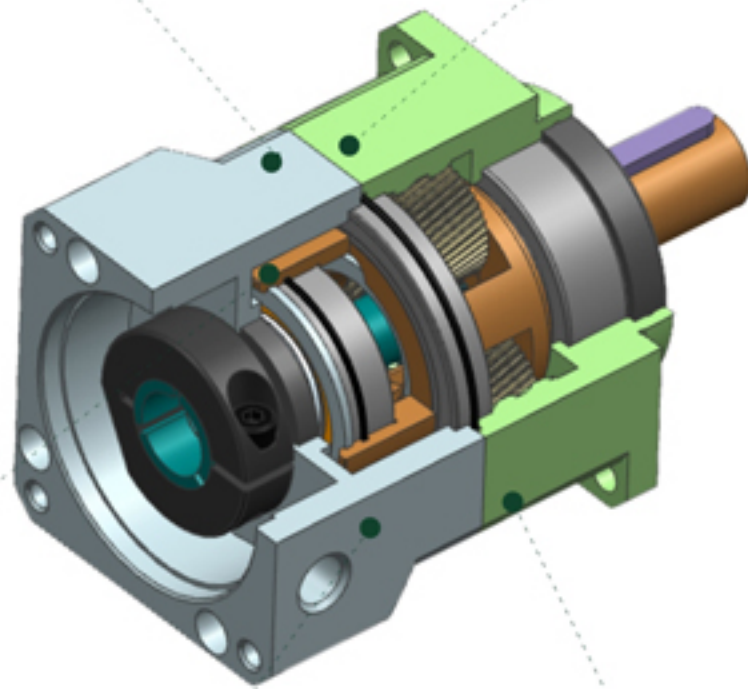
1. Gear: The material is made of high quality alloy steel and carbon-nitrogen co-infiltrated to obtain the best wear resistance and impact toughness.

2. 輸出行星架採用壹體式(雙支撐)的結構設計，前後軸承大跨距分布於箱體內，形成穩定的壹體式結構，以確保較高的扭轉剛性和精度。

2. The output planet carrier adopts an integrated (double support) structure design. The front and rear bearings are distributed in the box body to form a stable integrated structure to ensure high torsional rigidity and precision.

4. 利用ANSYS技術對齒輪強度進行有限元分析，同時對齒面作齒形及導程修整，以減低齒輪嚙合的沖擊和噪音，增加齒輪系的使用壽命。

4. Using ANSYS technology to carry out finite element analysis of gear strength, and at the same time make tooth profile and lead trimming on the tooth surface to reduce the impact and noise of gear meshing and increase the service life of the gear train.



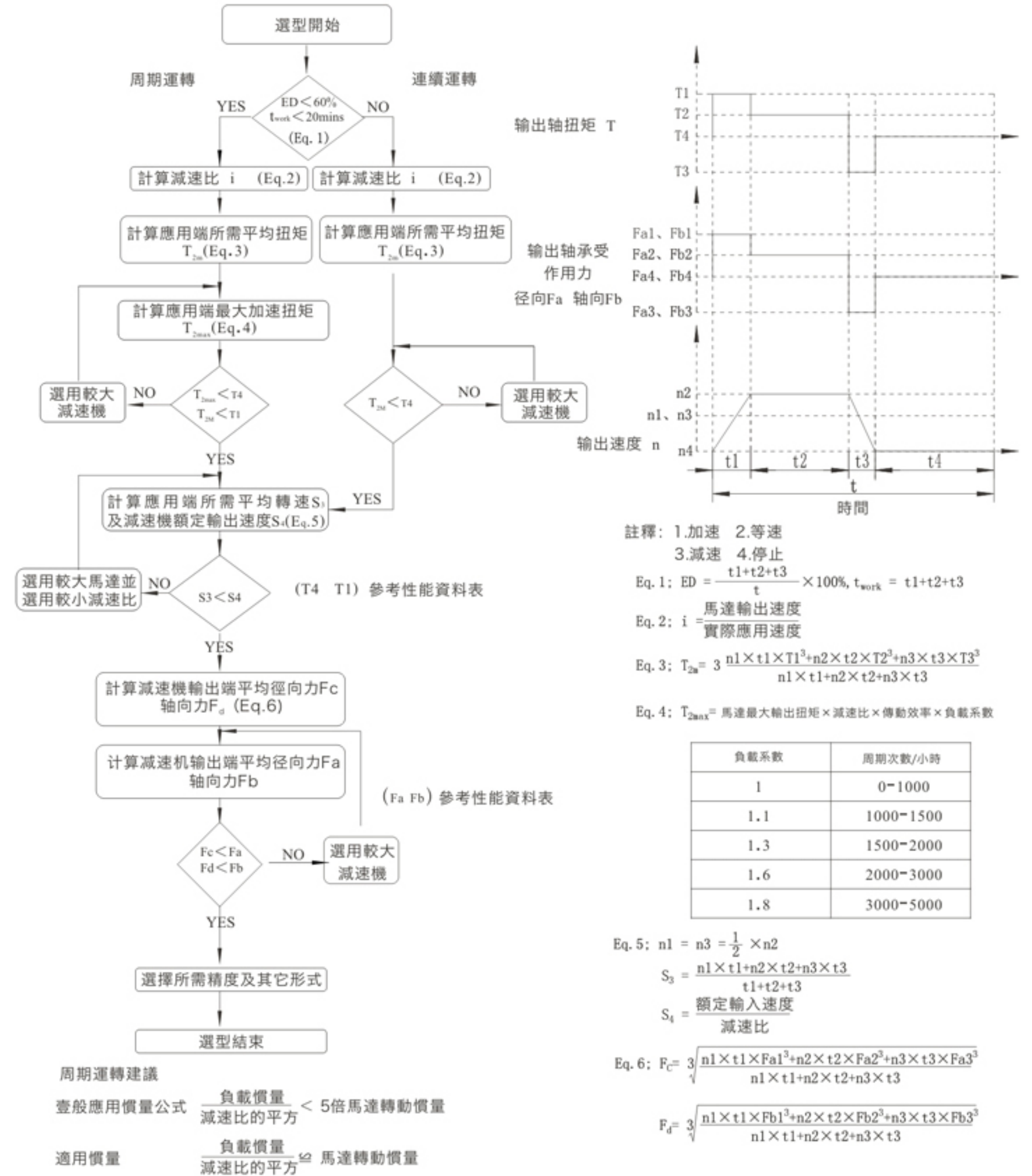
3. 齒圈與輸出亮體採用壹體化設計，採用優質鋼材，經熱鍛成形，從而獲得較高的材料密度。壹體化設計能保證所有幾何尺寸壹次性加工完成，與其它內嵌式、夾裝式等結構相比具有更高的精度和強度。

3. The gear ring and the output bright body adopt an integrated design, which is made of high-quality steel and hot forged to obtain a higher material density. The all-in-one design ensures that all geometries are processed in one shot, with higher precision and strength than other in-line, clip-on and other structures.

5. 輸入軸與鎖緊裝置採用壹體化設計，雙螺栓對稱分布，達到動平衡的同時，通過雙螺栓的強力鎖死，有效防止電機軸傳動打滑，實現高精度零背隙的動力傳送。

5. The input shaft and the locking device adopt the integrated design, and the double bolts are symmetrically distributed. When the dynamic balance is achieved, the strong bolting of the double bolts can effectively prevent the motor shaft drive from slipping and realize the high-precision zero backlash power transmission.

減速機選型 PRODUCT FEATURES



精密行星減速機

Precision Planetary Reducer



其優勢在於：此款行星減速機即使在最高轉速時也能達到最高效率，十分適用於高標準的生產工況，壹款真正強效且價格合理的產品。

The advantage is that this planetary reducer achieves maximum efficiency even at the highest speeds, making it ideal for high-standard production conditions, a truly powerful and reasonably priced product.

TECHMECH DRIVES THE FUTURE

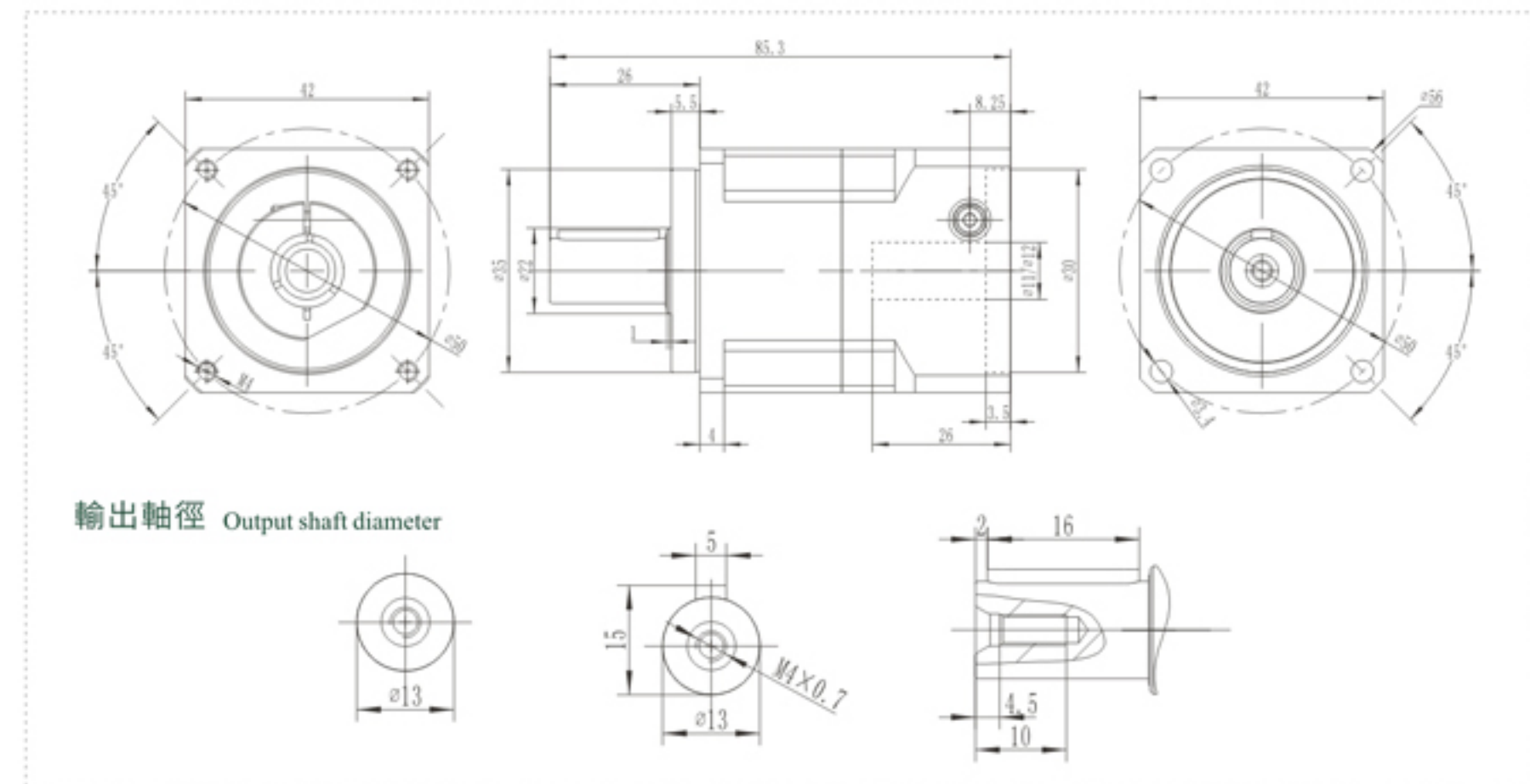
鈦科瑪格 傳動未來



TB042系列* TB042 Series

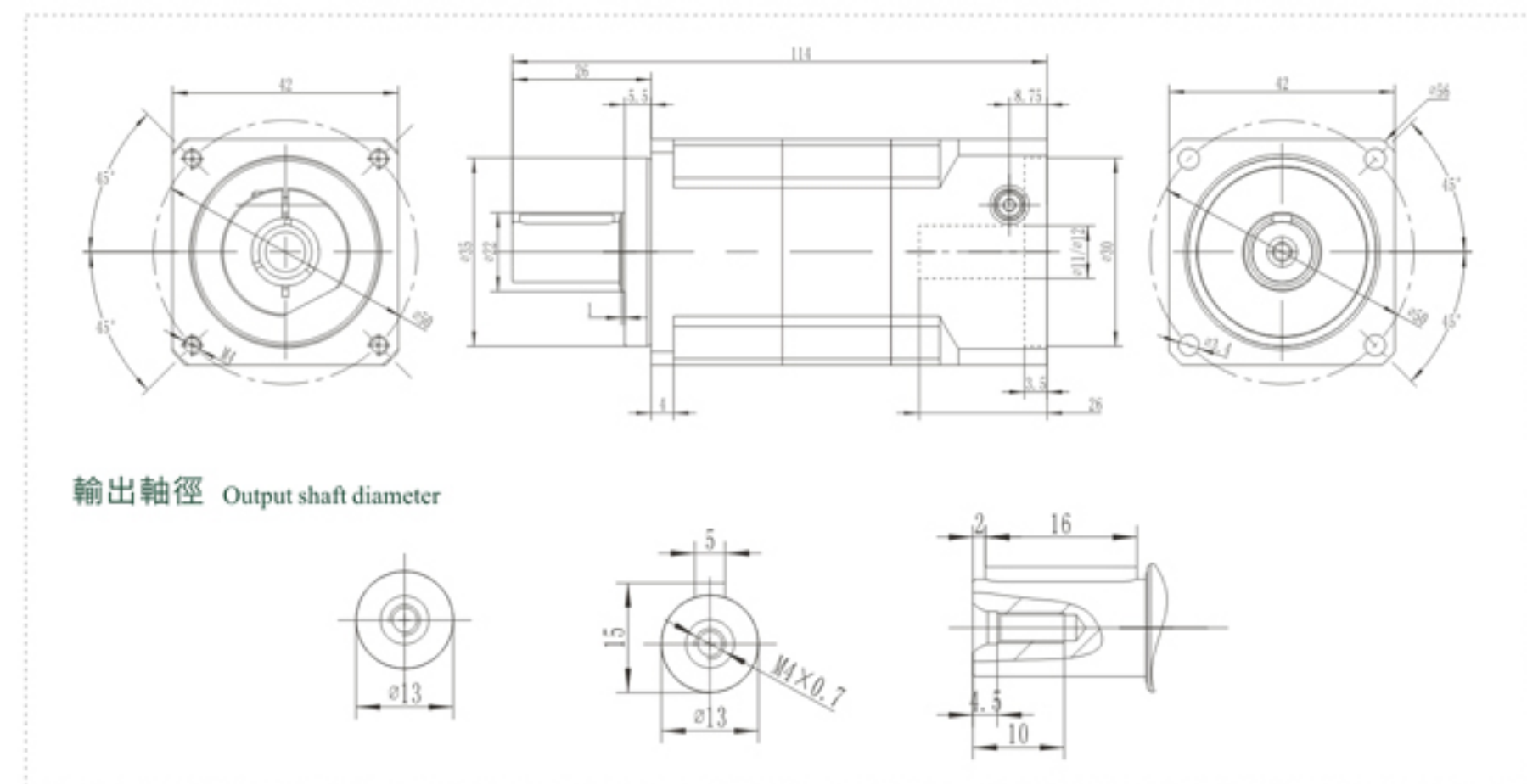
外形尺寸表

TB042單節* TB042 One Stage



輸出軸徑 Output shaft diameter

TB042雙節* TB042 Two Stage



輸出軸徑 Output shaft diameter

性能資料 Performance data

TB系列減速機採用了標準化的法蘭界面，PSFN的安裝便捷安全，由於抗傾斜力矩很高，這款高精度行星減速機可以完成許多高難度任務。

The TB series reducer adopts a standardized flange interface. The installation of PSFN is convenient and safe. Due to the high anti-tilt torque, this high-precision planetary reducer can perform many difficult tasks.

TB042		單節 One Stage										雙節 Two Stage										
速比 Speed Ratio	i	3	4	5	6	7	8	9	10	15	20	25	30	35	40	50	60	70	80	100		
額定輸出扭矩 Rated Output Torque	T_1	Nm	20	19	22	20	19	17	-	14	20	19	22	20	19	17	22	20	19	17	14	
急停扭矩 Emergency Stop Torque	T_2	Nm	$T_1 \times 3$										$T_1 \times 3$									
額定輸入轉速 Rated Input Speed	S_1	rpm	5000										5000									
最大輸入轉速 Maximum Input Speed	S_2	rpm	10000										10000									
最大輸出扭矩 Maximum Output Torque	T_4	Nm	$T_1 \times 3 \times 60\%$										$T_1 \times 3 \times 60\%$									
最大徑向力 Maximum Radial Force	F_a	N	780										780									
最大軸向力 Maximum Axial Force	F_b	N	390										390									
扭轉剛性 Torsional Rigidity	-	Nm/arcmin	3										3									
效率 Effectiveness	β	%	$\geq 97\%$										$\geq 94\%$									
壽命 Life	-	h	20000h										30000h									
反饋噪音 Feedback Noise	-	dB	≤ 55 dB										≤ 55 dB									
重量 Weight	-	Kg	0.6										0.8									
回程間隙 Return Gap	P0	arcmin	≤ 1										≤ 3									
	P1	arcmin	≤ 3										≤ 5									
	P2	arcmin	≤ 5										≤ 7									
使用溫度 Operating Temperature	-	°C	$-10^\circ\text{C} \sim 90^\circ\text{C}$										$-10^\circ\text{C} \sim 90^\circ\text{C}$									
潤滑 Lubricating	-		合成油脂 Synthetic Grease										合成油脂 Synthetic Grease									
防護等級 Protection Level	-		IP65										IP65									
安裝方向 Installation Direction	-		任意方向 Any Direction										任意方向 Any Direction									
傳動慣量 Transmission Inertia	J	kg·cm ²	0.03										0.03									

依據說明:

- 變速比($i=S_{in}/S_{out}$)
- 結果輸出轉速100rpm時，作用於輸出軸中心。
- 連續運轉壽命10000h。
- 噪音值基於輸入轉速3000rpm, $i=10$ 所得。

According to the instructions:

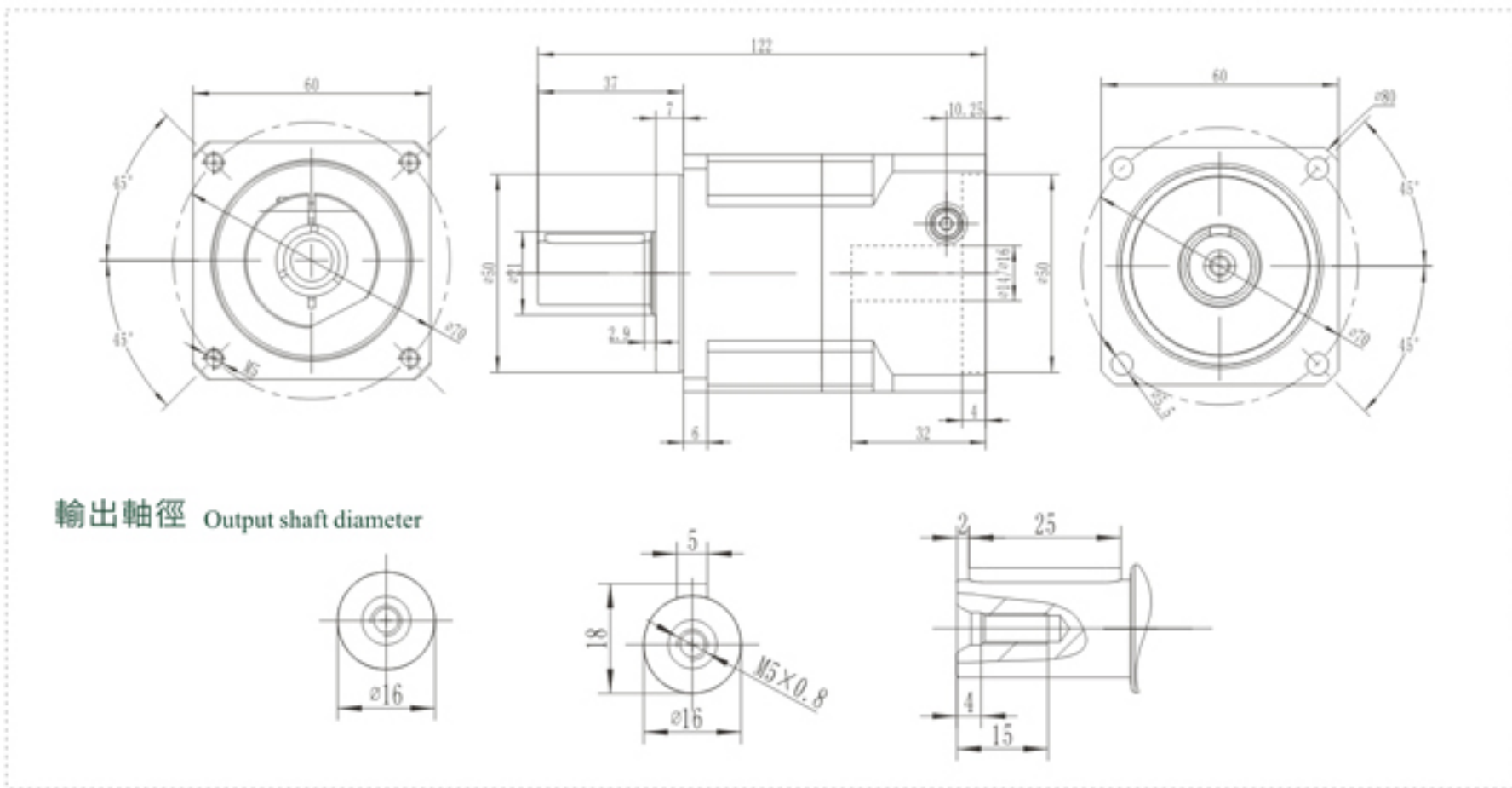
- Speed ratio ($i=S_{in}/S_{out}$)
- As a result, when the output speed is 100 rpm, it acts on the center of the output shaft.
- Continuous operation life of 10000h.
- The noise value was obtained based on the input rotational speed of 3000 rpm, $i=10$.

此樣本中的所有產品型號及參數如有變更恕不另行通告，訂貨前請與本司確認。
All product models and parameters in this sample are subject to change without prior notice. Please confirm with the company before ordering.

TB060系列* TB060 Series

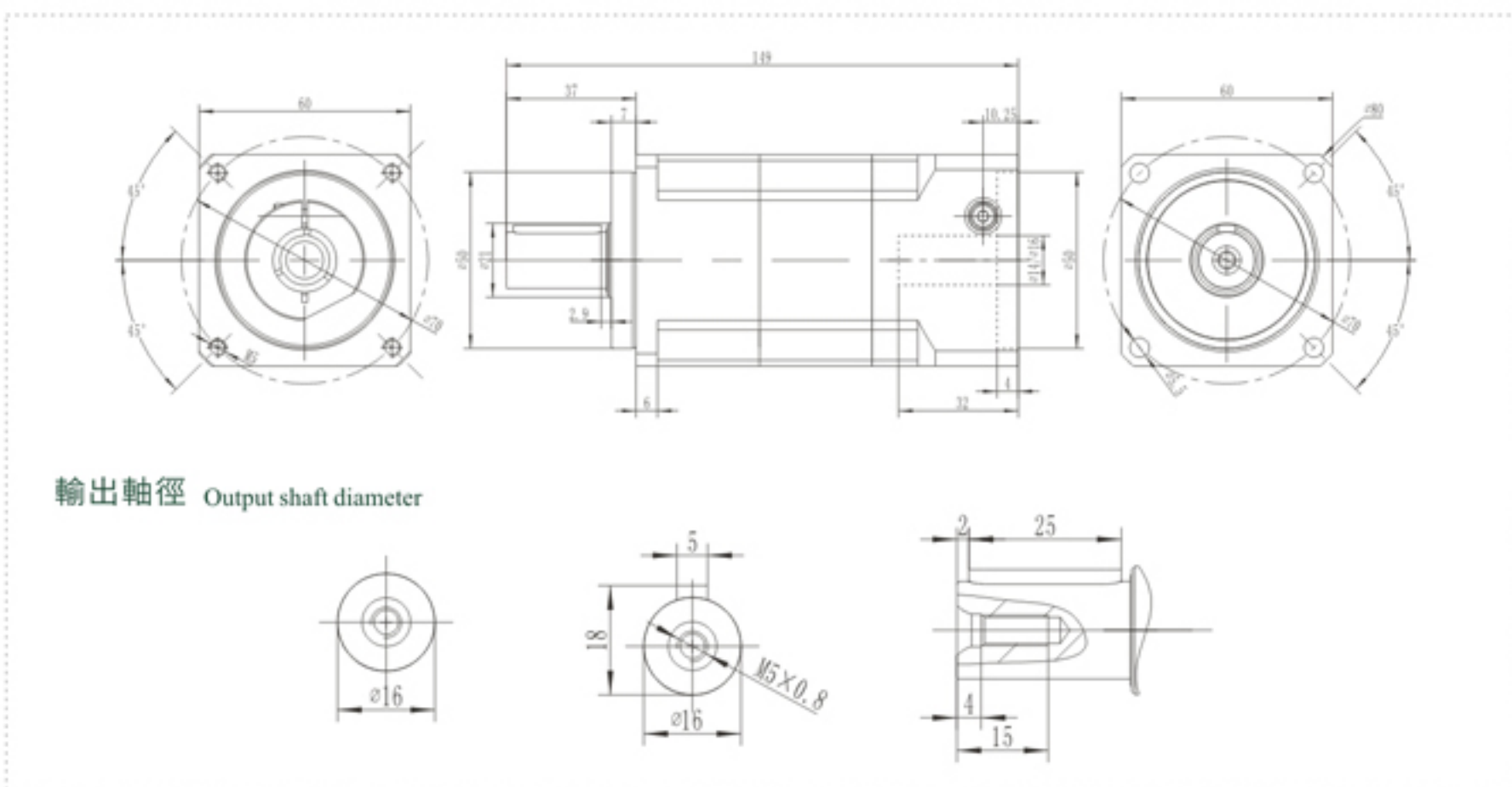
外形尺寸表

TB060單節* TB060 One Stage



輸出軸徑 Output shaft diameter

TB060雙節* TB060 Two Stage



輸出軸徑 Output shaft diameter

性能資料 Performance data

TB系列減速機採用了標準化的法蘭界面，PSFN的安裝便捷安全，由於抗傾斜力矩很高，這款高精度行星減速機可以完成許多高難度任務。

The TB series reducer adopts a standardized flange interface. The installation of PSFN is convenient and safe. Due to the high anti-tilt torque, this high-precision planetary reducer can perform many difficult tasks.

TB060	參數	單位	單節 One Stage										雙節 Two Stage									
			3	4	5	6	7	8	9	10	15	20	25	30	35	40	50	60	70	80	100	
速比 Speed Ratio	i		3	4	5	6	7	8	9	10	15	20	25	30	35	40	50	60	70	80	100	
額定輸出力矩 Rated Output Torque	T ₁	Nm	55	50	60	55	50	45	-	40	55	50	60	55	50	45	60	55	50	45	40	
急停扭矩 Emergency Stop Torque	T ₂	Nm	T ₁ × 3										T ₁ × 3									
額定輸入轉速 Rated Input Speed	S ₁	rpm	5000										5000									
最大輸入轉速 Maximum Input Speed	S ₂	rpm	10000										10000									
最大輸出力矩 Maximum Output Torque	T ₄	Nm	T ₁ × 3 × 60%										T ₁ × 3 × 60%									
最大徑向力 Maximum Radial Force	F _a	N	1530										1530									
最大軸向力 Maximum Axial Force	F _b	N	765										765									
扭轉剛性 Torsional Rigidity	-	Nm/arcmin	7										7									
效率 Effectiveness	β	%	≥97%										≥94%									
壽命 Life	-	h	20000h										20000h									
反饋噪音 Feedback Noise	-	dB	≤58dB										≤58dB									
重量 Weight	-	Kg	1.3										1.9									
回程間隙 Return Gap	P0	arcmin	≤1										≤3									
	P1	arcmin	≤3										≤5									
	P2	arcmin	≤5										≤7									
使用溫度 Operating Temperature	-	°C	-10°C~90°C										-10°C~90°C									
潤滑 Lubricating	-		合成油脂 Synthetic Grease										合成油脂 Synthetic Grease									
防護等級 Protection Level	-		IP65										IP65									
安裝方向 Installation Direction	-		0.16 0.14 任意方向 Any Direction										任意方向 Any Direction									
傳動慣量 Transmission Inertia	J	kg·cm ²	0.13										0.03									

依據說明:

- 變速比(i=S_{in}/S_{out})
- 結果輸出轉速100rpm時，作用於輸出軸中心。
- 連續運轉壽命10000h。
- 噪音值基於輸入轉速3000rpm, i=10所得。

According to the instructions:

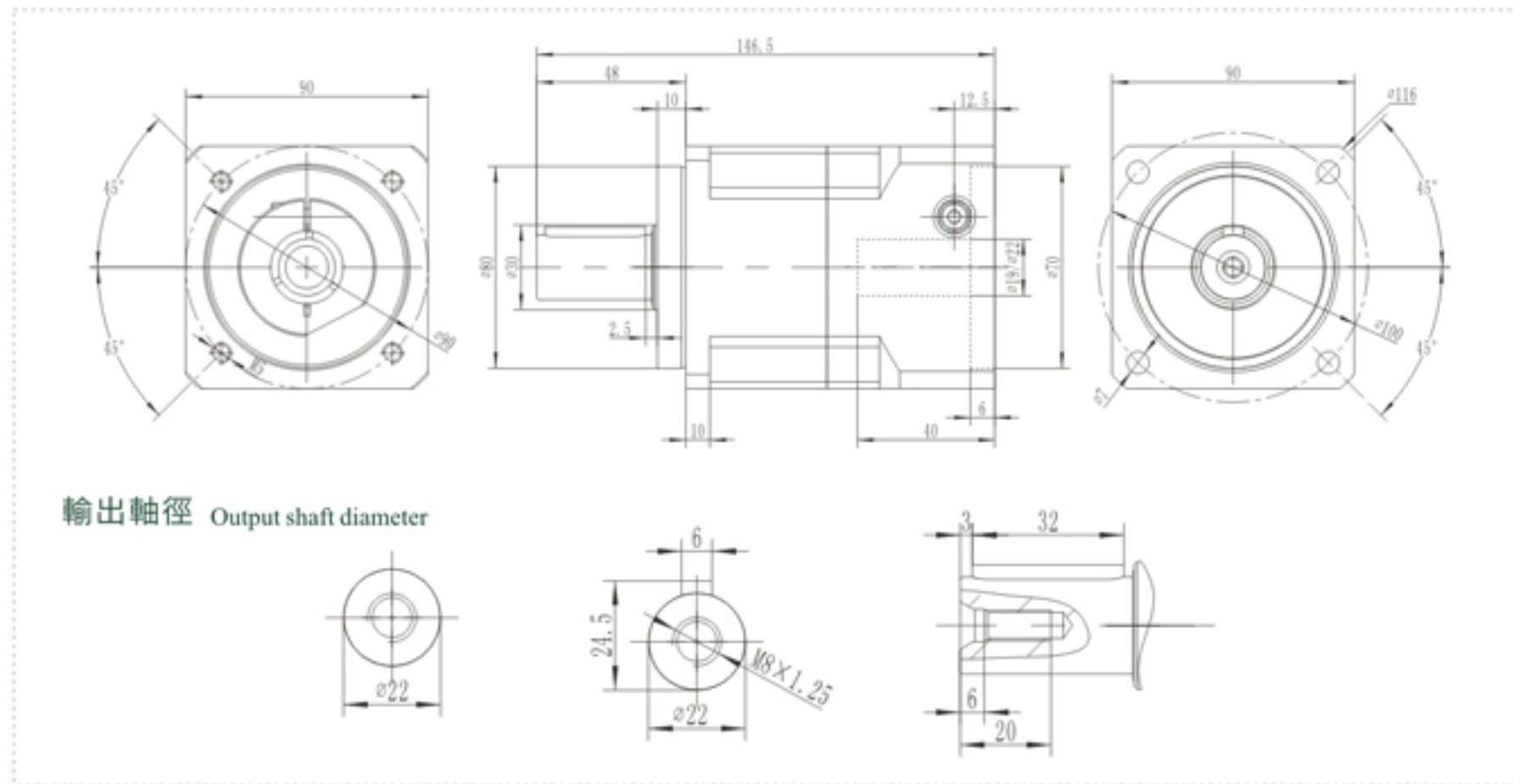
- Speed ratio (i=S_{in}/S_{out})
- As a result, when the output speed is 100 rpm, it acts on the center of the output shaft.
- Continuous operation life of 10000h.
- The noise value was obtained based on the input rotational speed of 3000 rpm, i=10.

此樣本中的所有產品型號及參數如有變更恕不另行通告，訂貨前請與本司確認。
All product models and parameters in this sample are subject to change without prior notice. Please confirm with the company before ordering.

TB090系列* TB090 Series

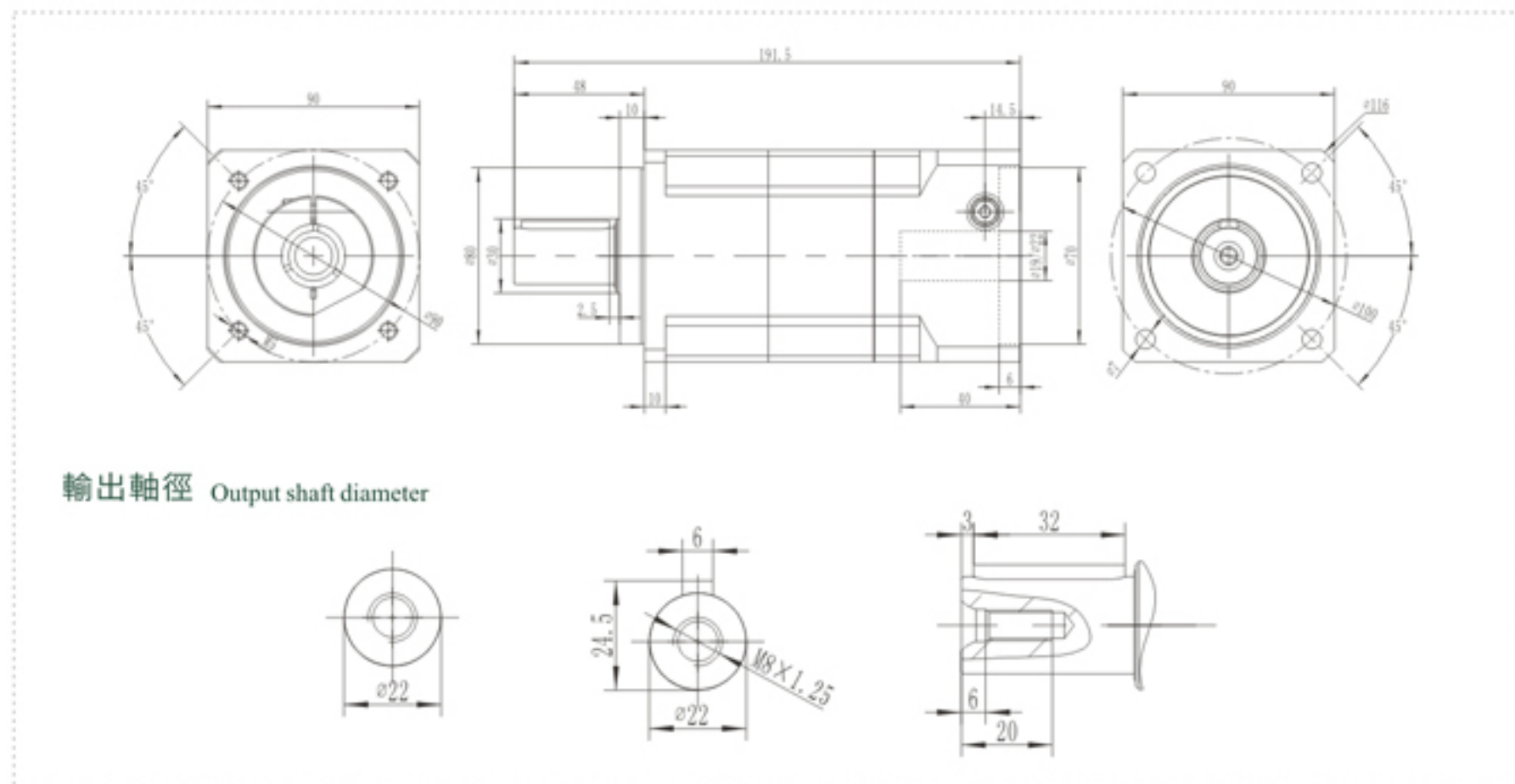
外形尺寸表

TB090單節* TB090 One Stage



輸出軸徑 Output shaft diameter

TB090雙節* TB090 Two Stage



輸出軸徑 Output shaft diameter

性能資料 Performance data

TB系列減速機採用了標準化的法蘭界面，PSFN的安裝便捷安全，由於抗傾斜力矩很高，這款高精度行星減速機可以完成許多高難度任務。

The TB series reducer adopts a standardized flange interface. The installation of PSFN is convenient and safe. Due to the high anti-tilt torque, this high-precision planetary reducer can perform many difficult tasks.

TB090	單節 One Stage	雙節 Two Stage	TB090																				
			i	3	4	5	6	7	8	9	10	15	20	25	30	35	40	50	60	70	80	100	
速比 Speed Ratio	i		3	4	5	6	7	8	9	10	15	20	25	30	35	40	50	60	70	80	100		
額定輸出力矩 Rated Output Torque	T ₁	Nm	130	140	160	150	140	120	-	100	55	50	60	55	50	45	60	55	50	45	40		
急停扭矩 Emergency Stop Torque	T ₂	Nm	T ₁ × 3									T ₁ × 3											
額定輸入轉速 Rated Input Speed	S ₁	rpm	4000									4000											
最大輸入轉速 Maximum Input Speed	S ₂	rpm	8000									8000											
最大輸出力矩 Maximum Output Torque	T ₄	Nm	T ₁ × 3 × 60%									T ₁ × 3 × 60%											
最大徑向力 Maximum Radial Force	F _a	N	3250									3250											
最大軸向力 Maximum Axial Force	F _b	N	1625									1625											
扭轉剛性 Torsional Rigidity	-	Nm/arcmin	14									14											
效率 Effectiveness	β	%	≥97%									≥94%											
壽命 Life	-	h	20000h									20000h											
反饋噪音 Feedback Noise	-	dB	≤63dB									≤63dB											
重量 Weight	-	Kg	3.6									5.1											
回程間隙 Return Gap	P0		≤1									≤3											
	P1	arcmin	≤3									≤5											
	P2		≤5									≤7											
使用溫度 Operating Temperature	-	°C	-10°C-90°C									-10°C-90°C											
潤滑 Lubricating	-		合成油脂 Synthetic Grease									合成油脂 Synthetic Grease											
防護等級 Protection Level	-		IP65									IP65											
安裝方向 Installation Direction	-		任意方向 Any Direction									任意方向 Any Direction											
傳動慣量 Transmission Inertia	J	kg·cm ²	0.61	0.48	0.47	0.45	0.45	0.44	-	0.44	0.47						0.44						

依據說明:

- 變速比(i=S_{in}/S_{out})
- 結果輸出轉速100rpm時，作用於輸出軸中心。
- 連續運轉壽命10000h。
- 噪音值基於輸入轉速3000rpm, i=10所得。

According to the instructions:

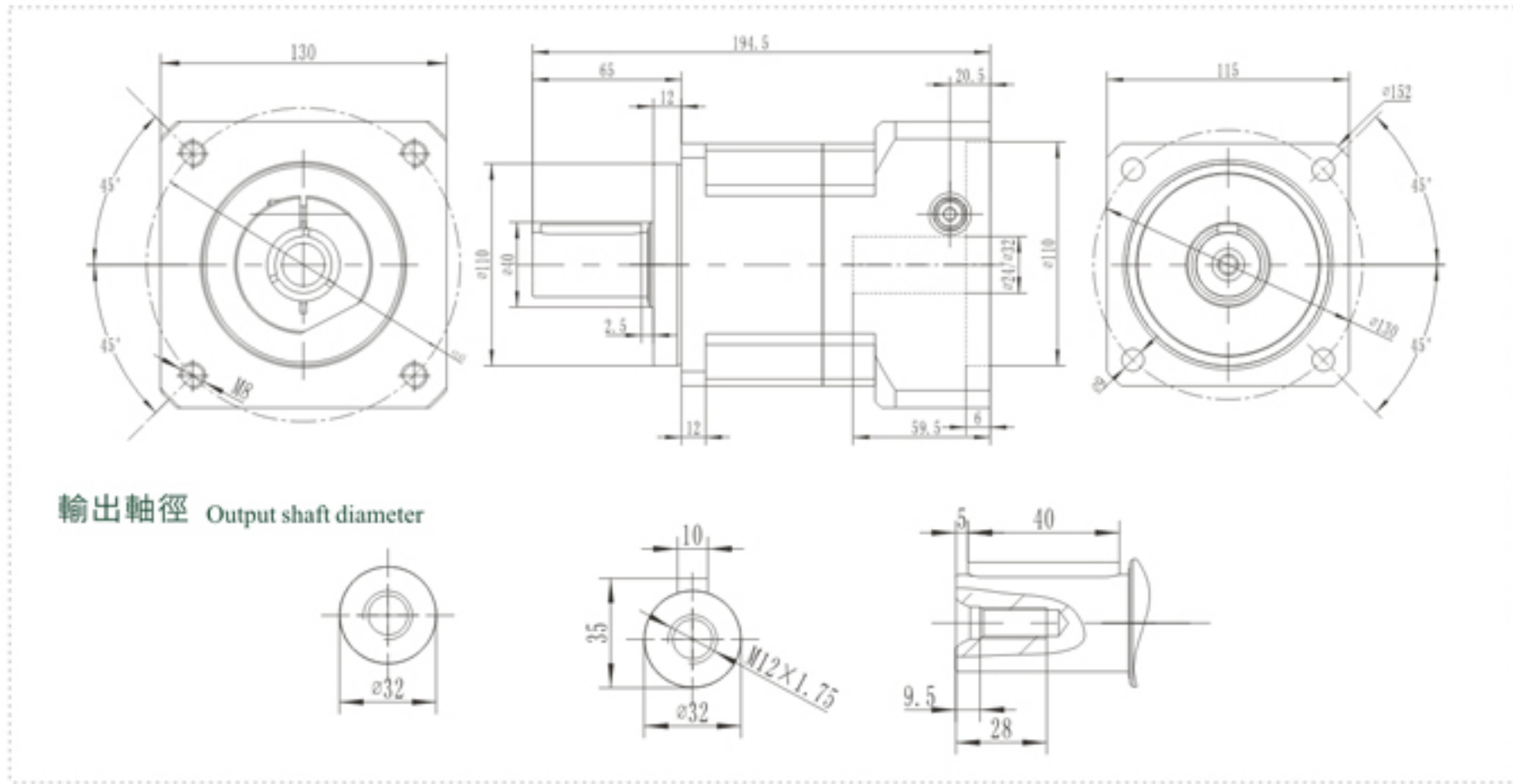
- Speed ratio (i=S_{in}/S_{out})
- As a result, when the output speed is 100 rpm, it acts on the center of the output shaft.
- Continuous operation life of 10000h.
- The noise value was obtained based on the input rotational speed of 3000 rpm, i=10.

此樣本中的所有產品型號及參數如有變更恕不另行通知，訂貨前請與本司確認。
All product models and parameters in this sample are subject to change without prior notice. Please confirm with the company before ordering.

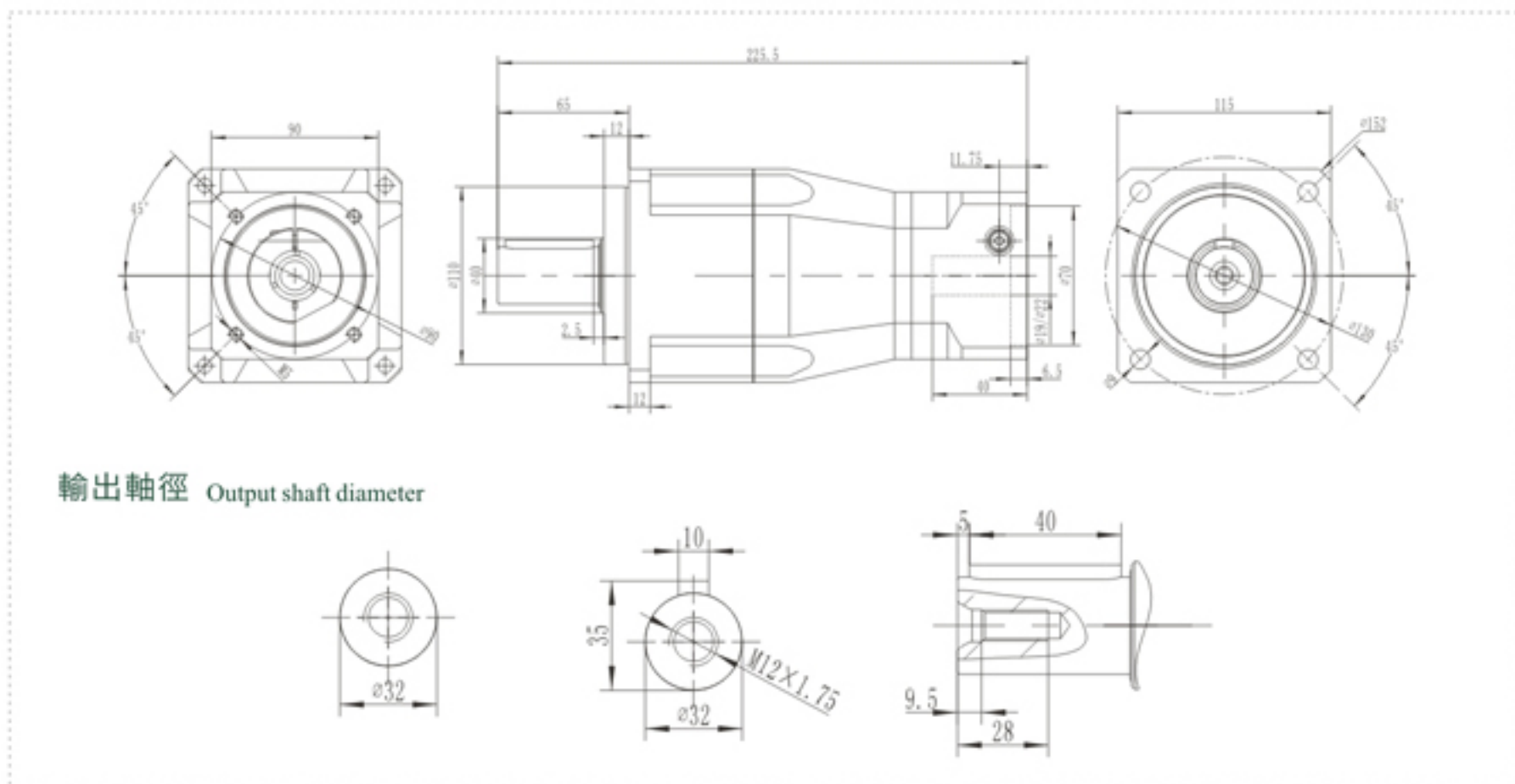
TB115系列* TB115 Series

外形尺寸表

TB115單節* TB115 One Stage



TB115雙節* TB115 Two Stage



性能資料 Performance data

TB系列減速機採用了標準化的法蘭界面，PSFN的安裝便捷安全，由於抗傾斜力矩很高，這款高精度行星減速機可以完成許多高難度任務。

The TB series reducer adopts a standardized flange interface. The installation of PSFN is convenient and safe. Due to the high anti-tilt torque, this high-precision planetary reducer can perform many difficult tasks.

TB115		單節 One Stage										雙節 Two Stage										
速比 Speed Ratio	i		3	4	5	6	7	8	9	10	15	20	25	30	35	40	50	60	70	80	100	
額定輸出力矩 Rated Output Torque	T ₁	Nm	208	290	330	310	300	260	-	230	208	290	330	310	300	260	330	310	300	260	230	
急停扭矩 Emergency Stop Torque	T ₂	Nm	T ₁ × 3										T ₁ × 3									
額定輸入轉速 Rated Input Speed	S ₁	rpm	4000										4000									
最大輸入轉速 Maximum Input Speed	S ₂	rpm	8000										8000									
最大輸出力矩 Maximum Output Torque	T ₄	Nm	T ₁ × 3 × 60%										T ₁ × 3 × 60%									
最大徑向力 Maximum Radial Force	F _a	N	6700										6700									
最大軸向力 Maximum Axial Force	F _b	N	3350										3350									
扭轉剛性 Torsional Rigidity	-	Nm/arcmin	25										25									
效率 Effectiveness	β	%	≥97%										≥94%									
壽命 Life	-	h	20000h										20000h									
反饋噪音 Feedback Noise	-	dB	≤60dB										≤60dB									
重量 Weight	-	Kg	7.7										9									
回程間隙 Return Gap	P0		≤1										≤3									
	P1	arcmin	≤3										≤5									
	P2		≤5										≤7									
使用溫度 Operating Temperature	-	°C	-10°C~90°C										-10°C~90°C									
潤滑 Lubricating	-		合成油脂 Synthetic Grease										合成油脂 Synthetic Grease									
防護等級 Protection Level	-		IP65										IP65									
安裝方向 Installation Direction	-		任意方向 Any Direction										任意方向 Any Direction									
傳動慣量 Transmission Inertia	J	kg·cm ²	325	274	271	265	262	258	-	257					0.47							0.44

依據說明:

- 變速比(i=S_{in}/S_{out})
- 結果輸出轉速100rpm時，作用於輸出軸中心。
- 連續運轉壽命10000h。
- 噪音值基於輸入轉速3000rpm, i=10所得。

According to the instructions:

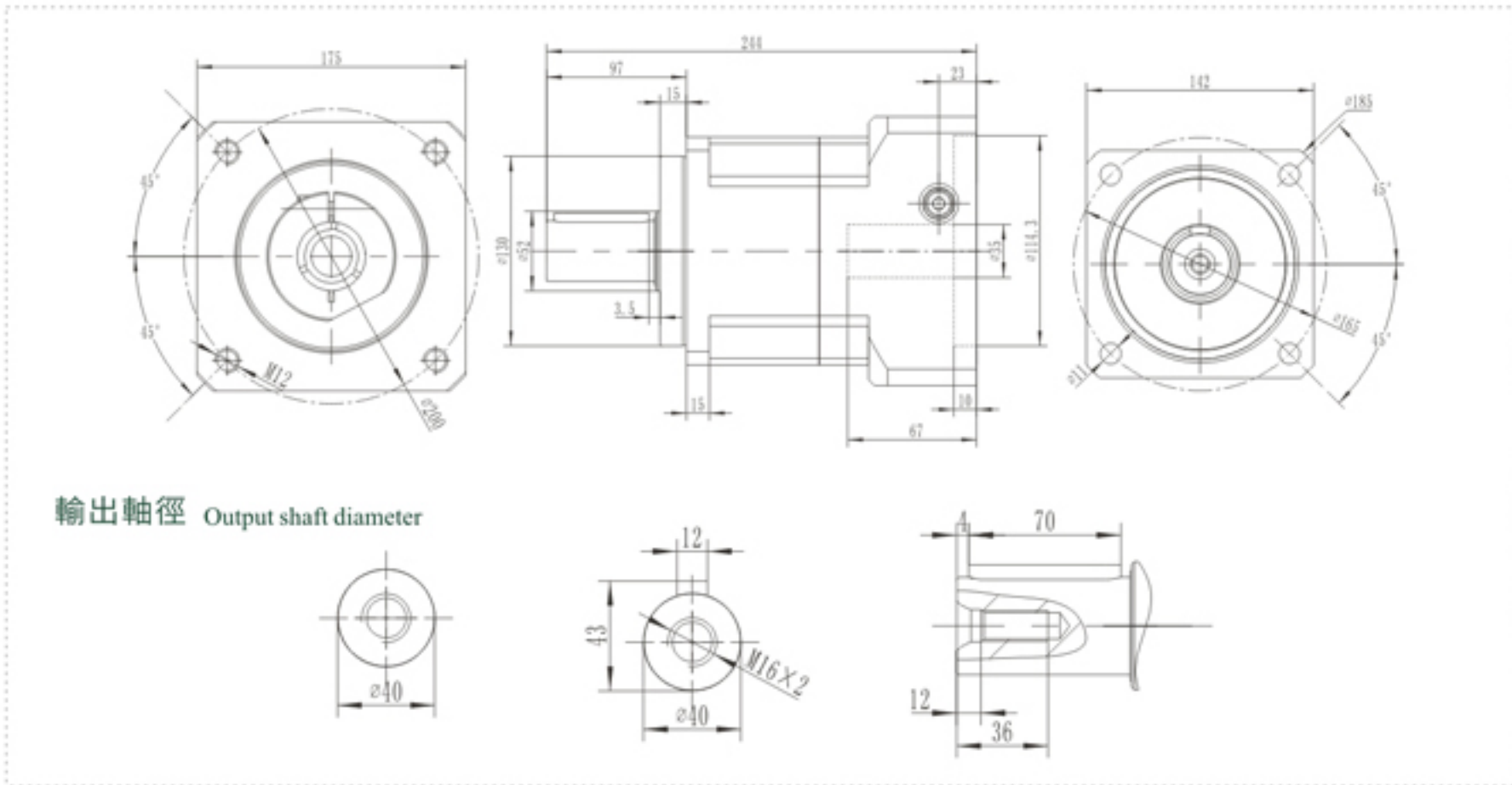
- Speed ratio (i=S_{in}/S_{out})
- As a result, when the output speed is 100 rpm, it acts on the center of the output shaft.
- Continuous operation life of 10000h.
- The noise value was obtained based on the input rotational speed of 3000 rpm, i=10.

此樣本中的所有產品型號及參數如有變更恕不另行通告，訂貨前請與本司確認。
All product models and parameters in this sample are subject to change without prior notice. Please confirm with the company before ordering.

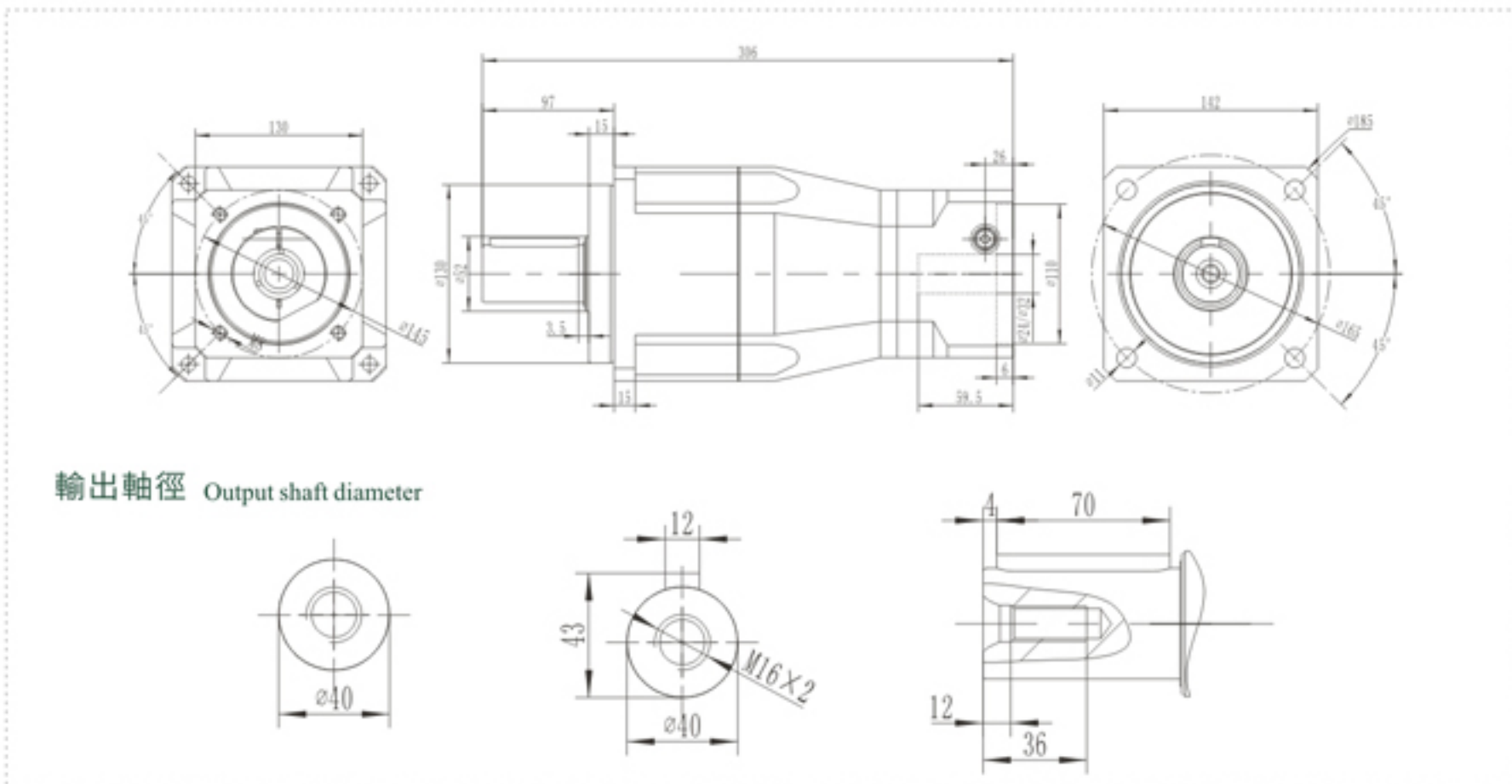
TB142系列* TB142 Series

外形尺寸表

TB142單節* TB142 One Stage



TB142雙節* TB142 Two Stage



性能資料 Performance data

TB系列減速機採用了標準化的法蘭界面，PSFN的安裝便捷安全，由於抗傾斜力矩很高，這款高精度行星減速機可以完成許多高難度任務。

The TB series reducer adopts a standardized flange interface. The installation of PSFN is convenient and safe. Due to the high anti-tilt torque, this high-precision planetary reducer can perform many difficult tasks.

TB142	參數	單節 One Stage										雙節 Two Stage										
		i	3	4	5	6	7	8	9	10	15	20	25	30	35	40	50	60	70	80	100	
速比 Speed Ratio	i		3	4	5	6	7	8	9	10	15	20	25	30	35	40	50	60	70	80	100	
額定輸出力矩 Rated Output Torque	T ₁	Nm	342	542	650	600	550	500	-	450	342	542	650	600	550	500	650	600	550	500	450	
急停扭矩 Emergency Stop Torque	T ₂	Nm	T ₁ × 3										T ₁ × 3									
額定輸入轉速 Rated Input Speed	S ₁	rpm	3000										3000									
最大輸入轉速 Maximum Input Speed	S ₂	rpm	6000										6000									
最大輸出力矩 Maximum Output Torque	T ₄	Nm	T ₁ × 3 × 60%										T ₁ × 3 × 60%									
最大徑向力 Maximum Radial Force	F _a	N	9400										9400									
最大軸向力 Maximum Axial Force	F _b	N	4700										4700									
扭轉剛性 Torsional Rigidity	-	Nm/arcmin	50										50									
效率 Effectiveness	β	%	≥97%										≥94%									
壽命 Life	-	h	20000h										20000h									
反饋噪音 Feedback Noise	-	dB	≤65dB										≤65dB									
重量 Weight	-	Kg	14.5										17.5									
回程間隙 Return Gap	P0	arcmin	≤1										≤3									
	P1	arcmin	≤3										≤5									
	P2	arcmin	≤5										≤7									
使用溫度 Operating Temperature	-	°C	-10°C-90°C										-10°C-90°C									
潤滑 Lubricating	-		合成油脂 Synthetic Grease										合成油脂 Synthetic Grease									
防護等級 Protection Level	-		IP65										IP65									
安裝方向 Installation Direction	-		任意方向 Any Direction										任意方向 Any Direction									
傳動慣量 Transmission Inertia	J	kg·cm ²	9.21	7.54	7.42	7.25	7.14	7.07	-	7.03						2.71						2.57

依據說明:

- 變速比(i=S_{in}/S_{out})
- 結果輸出轉速100rpm時，作用於輸出軸中心。
- 連續運轉壽命10000h。
- 噪音值基於輸入轉速3000rpm, i=10所得。

According to the instructions:

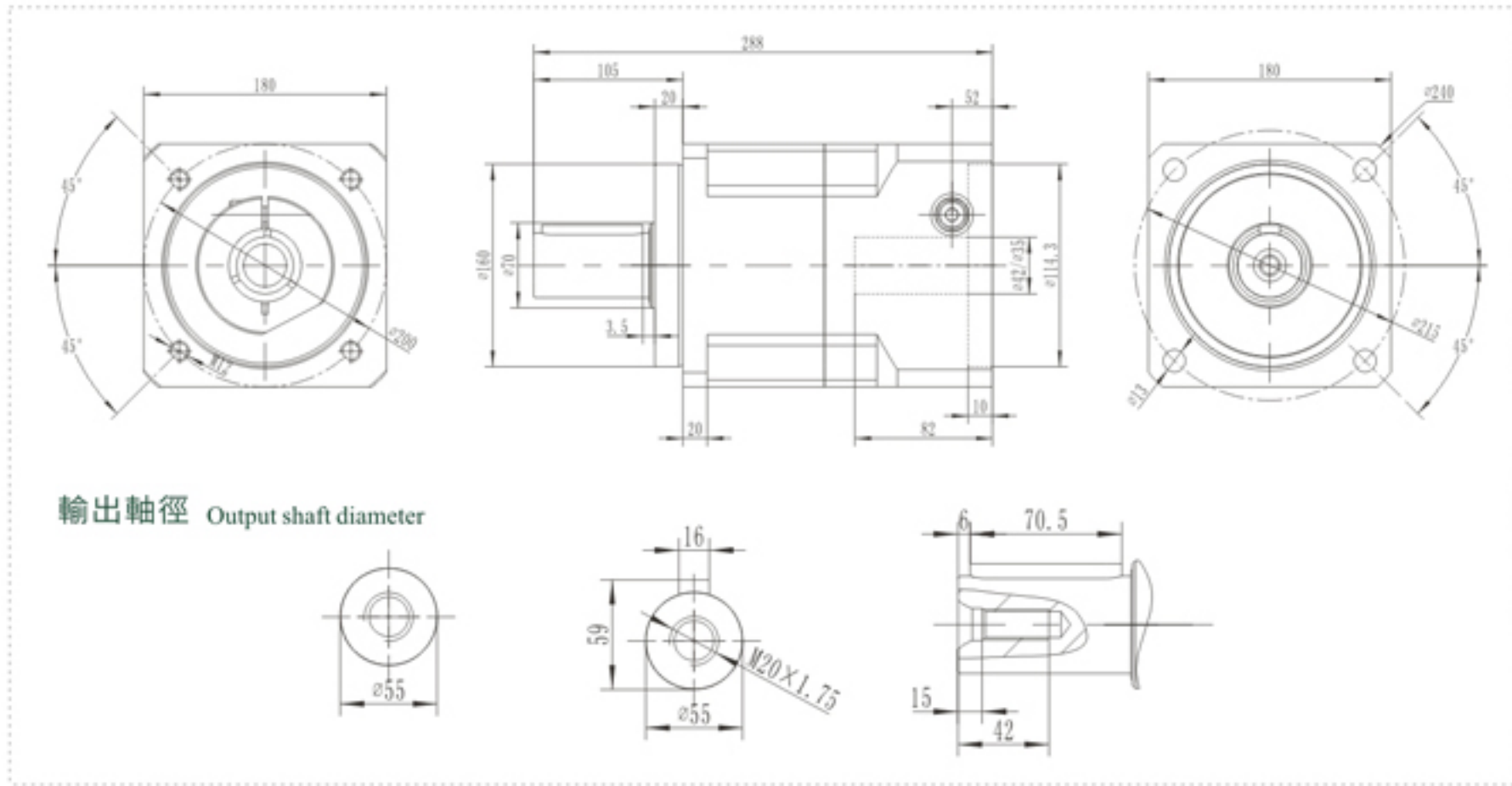
- Speed ratio (i=S_{in}/S_{out})
- As a result, when the output speed is 100 rpm, it acts on the center of the output shaft.
- Continuous operation life of 10000h.
- The noise value was obtained based on the input rotational speed of 3000 rpm, i=10.

此樣本中的所有產品型號及參數如有變更恕不另行通告，訂貨前請與本司確認。
All product models and parameters in this sample are subject to change without prior notice. Please confirm with the company before ordering.

TB180系列* TB180 Series

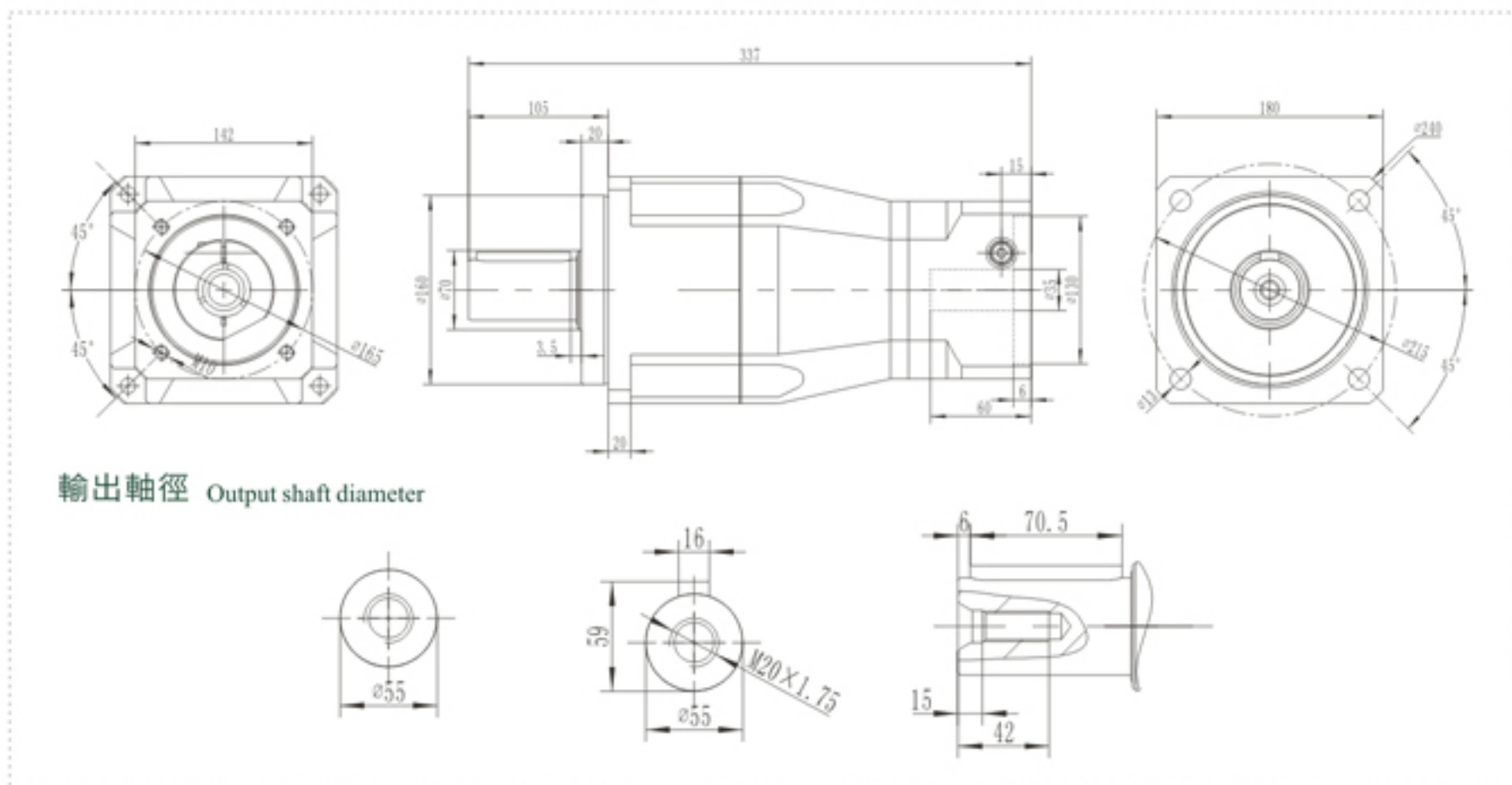
外形尺寸表

TB180單節* TB180 One Stage



輸出軸徑 Output shaft diameter

TB180雙節* TB180 Two Stage



輸出軸徑 Output shaft diameter

性能資料 Performance data

TB系列減速機採用了標準化的法蘭界面，PSFN的安裝便捷安全，由於抗傾斜力矩很高，這款高精度行星減速機可以完成許多高難度任務。

The TB series reducer adopts a standardized flange interface. The installation of PSFN is convenient and safe. Due to the high anti-tilt torque, this high-precision planetary reducer can perform many difficult tasks.

TB180		單節 One Stage										雙節 Two Stage										
		i	3	4	5	6	7	8	9	10	15	20	25	30	35	40	50	60	70	80	100	
速比 Speed Ratio		i	3	4	5	6	7	8	9	10	15	20	25	30	35	40	50	60	70	80	100	
額定輸出力矩 Rated Output Torque	T_1	Nm	20	19	22	20	19	17	-	14	20	19	22	20	19	17	22	20	17	17	14	
急停扭矩 Emergency Stop Torque	T_2	Nm	$T_1 \times 3$										$T_1 \times 3$									
額定輸入轉速 Rated Input Speed	S_1	rpm	3000										3000									
最大輸入轉速 Maximum Input Speed	S_2	rpm	6000										6000									
最大輸出力矩 Maximum Output Torque	T_4	Nm	$T_1 \times 3 \times 60\%$										$T_1 \times 3 \times 60\%$									
最大徑向力 Maximum Radial Force	F_a	N	14500										14500									
最大軸向力 Maximum Axial Force	F_b	N	7250										7250									
扭轉剛性 Torsional Rigidity	-	Nm/arcmin	145										145									
效率 Effectiveness	β	%	$\geq 97\%$										$\geq 94\%$									
壽命 Life	-	h	20000h										20000h									
反饋噪音 Feedback Noise	-	dB	≤ 66 dB										≤ 66 dB									
重量 Weight	-	Kg	0.6										0.8									
回程間隙 Return Gap	P0		≤ 1										≤ 3									
	P1	arcmin	≤ 3										≤ 5									
	P2		≤ 5										≤ 7									
使用溫度 Operating Temperature	-	$^{\circ}\text{C}$	$-10^{\circ}\text{C} - 90^{\circ}\text{C}$										$-10^{\circ}\text{C} - 90^{\circ}\text{C}$									
潤滑 Lubricating	-		合成油脂 Synthetic Grease										合成油脂 Synthetic Grease									
防護等級 Protection Level	-		IP65										IP65									
安裝方向 Installation Direction	-		任意方向 Any Direction										任意方向 Any Direction									
傳動慣量 Transmission Inertia	J	$\text{kg}\cdot\text{cm}^2$	28.98	23.67	23.29	22.75	22.48	22.59	-	22.51			7.42								7.03	

依據說明:

- 變速比($i = S_{in} / S_{out}$)
- 結果輸出轉速100rpm時，作用於輸出軸中心。
- 連續運轉壽命10000h。
- 噪音值基於輸入轉速3000rpm, $i=10$ 所得。

According to the instructions:

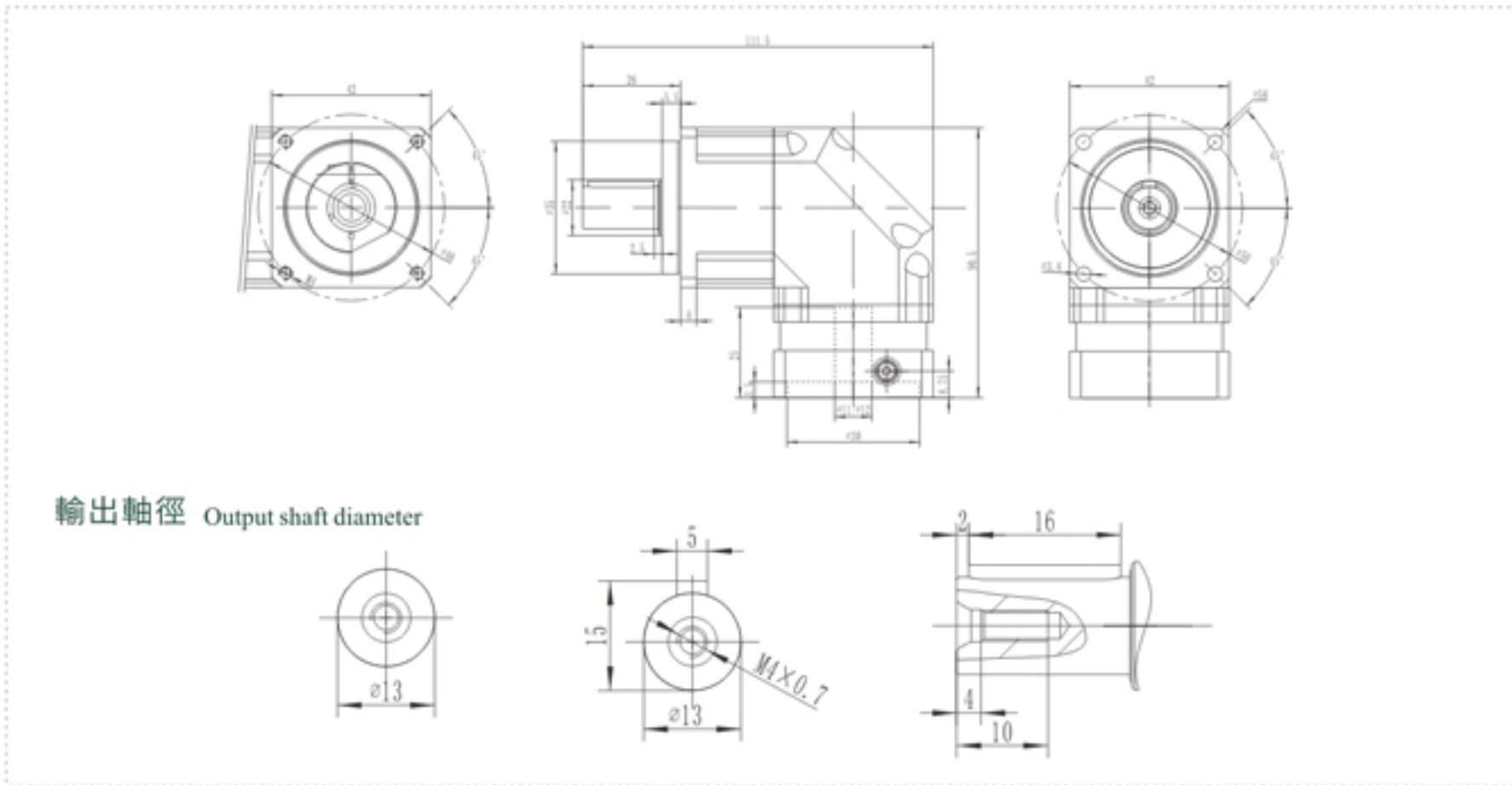
- Speed ratio ($i = S_{in} / S_{out}$)
- As a result, when the output speed is 100 rpm, it acts on the center of the output shaft.
- Continuous operation life of 10000h.
- The noise value was obtained based on the input rotational speed of 3000 rpm, $i=10$.

此樣本中的所有產品型號及參數如有變更恕不另行通告，訂貨前請與本司確認。
All product models and parameters in this sample are subject to change without prior notice. Please confirm with the company before ordering.

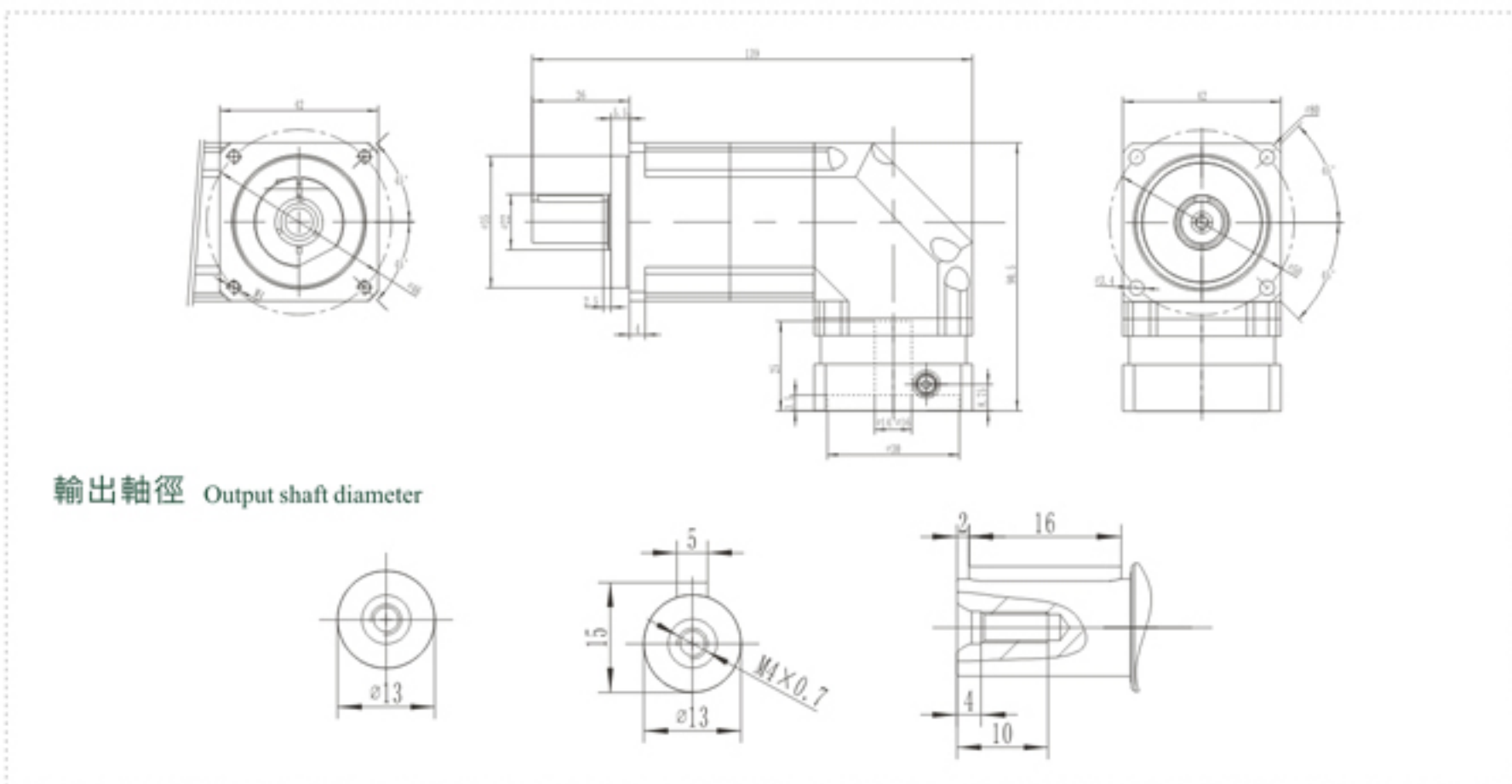
TBR042系列* TBR042 Series

外形尺寸表

TBR042單節* TBR042 One Stage



TBR042雙節* TBR042 Two Stage



性能資料 Performance data

TB系列減速機採用了標準化的法蘭界面，PSFN的安裝便捷安全，由於抗傾斜力矩很高，這款高精度行星減速機可以完成許多高難度任務。

The TB series reducer adopts a standardized flange interface. The installation of PSFN is convenient and safe. Due to the high anti-tilt torque, this high-precision planetary reducer can perform many difficult tasks.

TBR042		單節 One Stage										雙節 Two Stage										
		i	3	4	5	6	7	8	9	10	15	20	25	30	35	40	50	60	70	80	100	
速比 Speed Ratio	i		3	4	5	6	7	8	9	10	15	20	25	30	35	40	50	60	70	80	100	
額定輸出力矩 Rated Output Torque	T ₁	Nm	9	12	15	18	19	17	-	14	14	14	15	20	19	17	14	20	19	17	14	
急停扭矩 Emergency Stop Torque	T ₂	Nm	T ₁ ×3										T ₁ ×3									
額定輸入轉速 Rated Input Speed	S ₁	rpm	5000										5000									
最大輸入轉速 Maximum Input Speed	S ₂	rpm	10000										10000									
最大輸出力矩 Maximum Output Torque	T ₄	Nm	T ₁ ×3×60%										T ₁ ×3×60%									
最大徑向力 Maximum Radial Force	F _a	N	780										780									
最大軸向力 Maximum Axial Force	F _b	N	390										390									
扭轉剛性 Torsional Rigidity	-	Nm/arcmin	3										3									
效率 Effectiveness	β	%	≥95%										≥92%									
壽命 Life	-	h	20000h										20000h									
反饋噪音 Feedback Noise	-	dB	≤61dB										≤61dB									
重量 Weight	-	Kg	0.9										1.2									
回程間隙 Return Gap	P0		-										-									
	P1	arcmin	≤4										≤7									
	P2		≤6										≤9									
使用溫度 Operating Temperature	-	°C	-10°C-90°C										-10°C-90°C									
潤滑 Lubricating	-		合成油脂 Synthetic Grease										合成油脂 Synthetic Grease									
防護等級 Protection Level	-		IP65										IP65									
安裝方向 Installation Direction	-		任意方向 Any Direction										任意方向 Any Direction									
傳動慣量 Transmission Inertia	J	kg·cm ²	0.09										0.09									

依據說明:

- 變速比(i=S_{in}/S_{out})
- 結果輸出轉速100rpm時，作用於輸出軸中心。
- 連續運轉壽命10000h。
- 噪音值基於輸入轉速3000rpm, i=10所得。

According to the instructions:

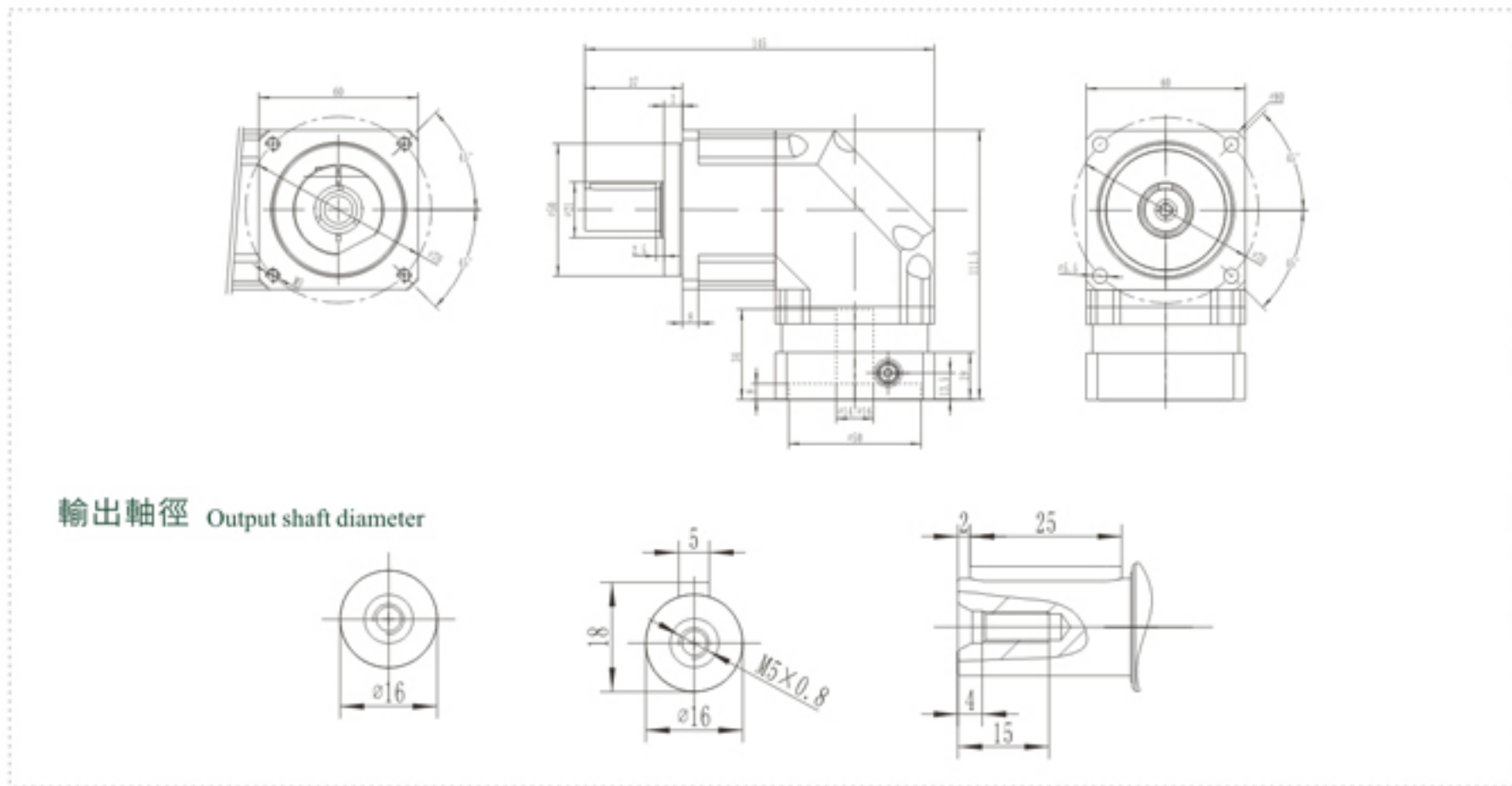
- Speed ratio (i=S_{in}/S_{out})
- As a result, when the output speed is 100 rpm, it acts on the center of the output shaft.
- Continuous operation life of 10000h.
- The noise value was obtained based on the input rotational speed of 3000 rpm, i=10.

此樣本中的所有產品型號及參數如有變更恕不另行通告，訂貨前請與本司確認。
All product models and parameters in this sample are subject to change without prior notice. Please confirm with the company before ordering.

TBR060系列* TBR060 Series

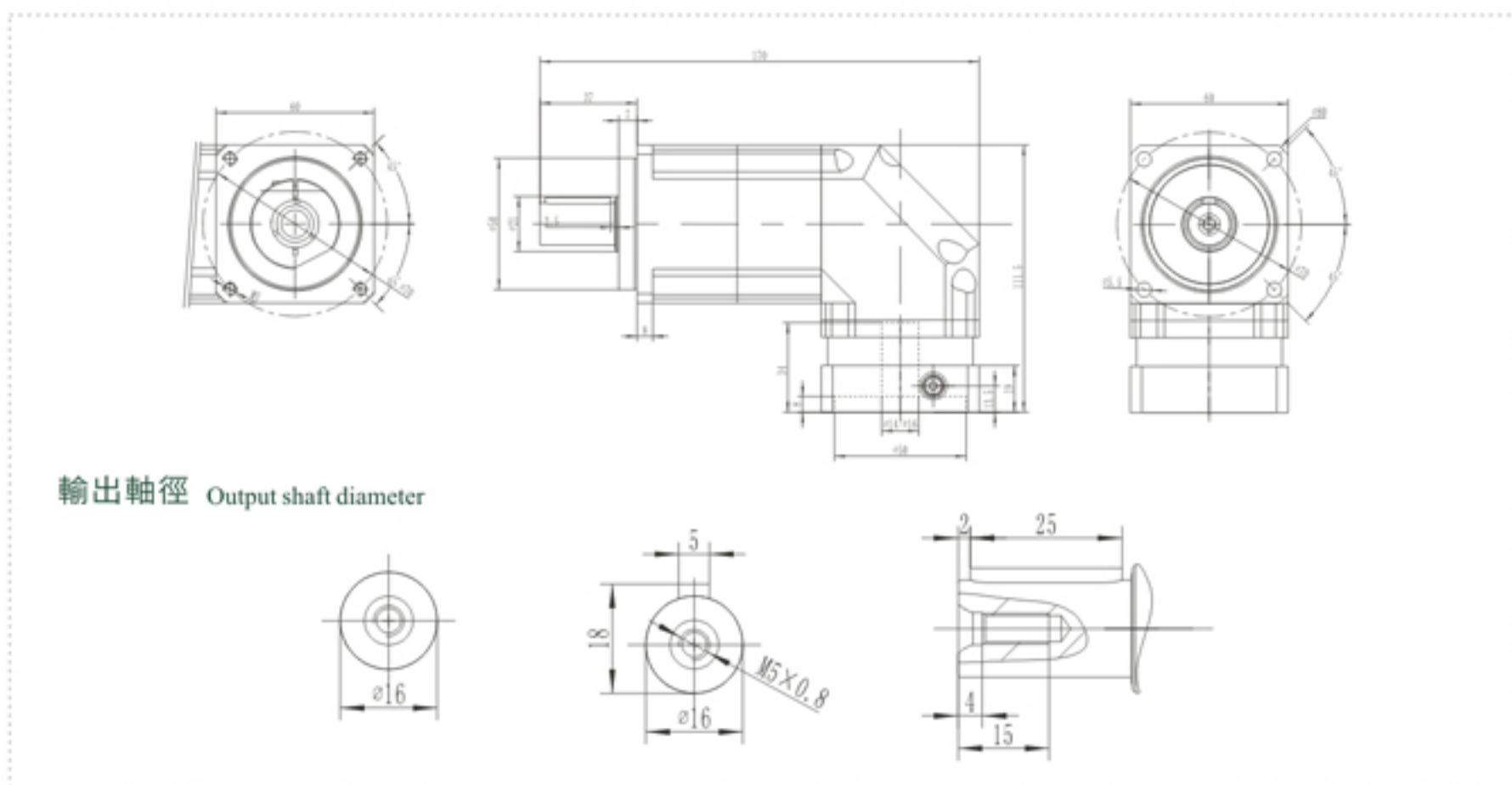
外形尺寸表

TBR060單節* TBR060 One Stage



輸出軸徑 Output shaft diameter

TBR060雙節* TBR060 Two Stage



輸出軸徑 Output shaft diameter

性能資料 Performance data

TB系列減速機採用了標準化的法蘭界面，PSFN的安裝便捷安全，由於抗傾斜力矩很高，這款高精度行星減速機可以完成許多高難度任務。

The TB series reducer adopts a standardized flange interface. The installation of PSFN is convenient and safe. Due to the high anti-tilt torque, this high-precision planetary reducer can perform many difficult tasks.

TBR060		單節 One Stage	雙節 Two Stage																			
			3	4	5	6	7	8	9	10	15	20	25	30	35	40	50	60	70	80	100	
速比 Speed Ratio	i																					
額定輸出力矩 Rated Output Torque	T ₁	Nm	36	48	60	55	50	45	-	40	-	-	60	55	50	45	60	55	50	45	40	
急停扭矩 Emergency Stop Torque	T ₂	Nm	T ₁ × 3																			
額定輸入轉速 Rated Input Speed	S ₁	rpm	5000																			
最大輸入轉速 Maximum Input Speed	S ₂	rpm	10000																			
最大輸出力矩 Maximum Output Torque	T ₄	Nm	T ₁ × 3 × 60%																			
最大徑向力 Maximum Radial Force	F _a	N	1530																			
最大軸向力 Maximum Axial Force	F _b	N	765																			
扭轉剛性 Torsional Rigidity	-	Nm/arcmin	7																			
效率 Effectiveness	β	%	≥95%																			
壽命 Life	-	h	20000h																			
反饋噪音 Feedback Noise	-	dB	≤63dB																			
重量 Weight	-	Kg	2.1																			
回程間隙 Return Gap	P0		-																			
	P1	arcmin	≤4																			
	P2		≤6																			
使用溫度 Operating Temperature	-	°C	-10°C~90°C																			
潤滑 Lubricating	-		合成油脂 Synthetic Grease																			
防護等級 Protection Level	-		IP65																			
安裝方向 Installation Direction	-		任意方向 Any Direction																			
傳動慣量 Transmission Inertia	J	kg·cm ²	0.35																			

依據說明:

- 變速比(i=S_{in}/S_{out})
- 結果輸出轉速100rpm時，作用於輸出軸中心。
- 連續運轉壽命10000h。
- 噪音值基於輸入轉速3000rpm, i=10所得。

According to the instructions:

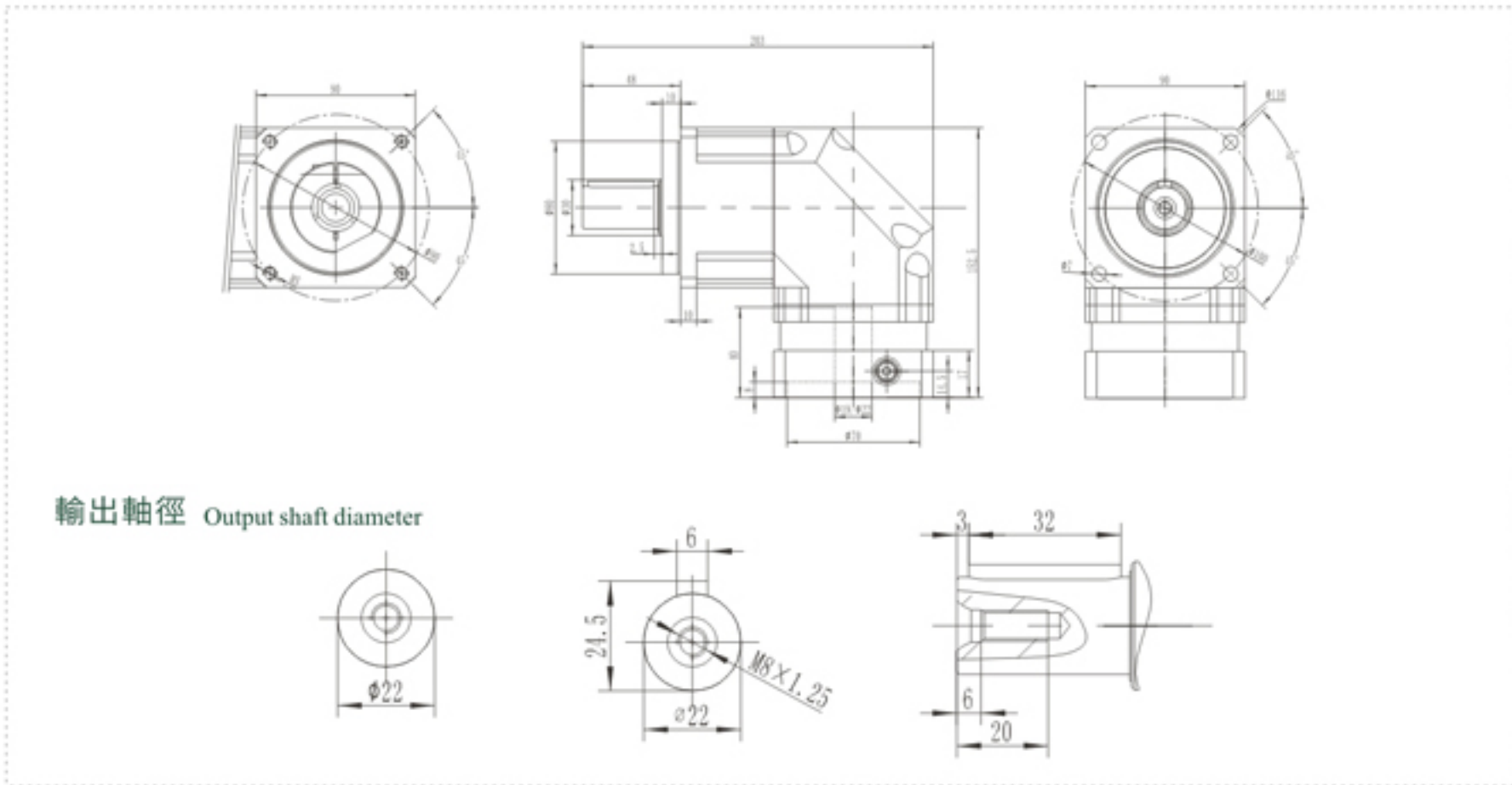
- Speed ratio (i=S_{in}/S_{out})
- As a result, when the output speed is 100 rpm, it acts on the center of the output shaft.
- Continuous operation life of 10000h.
- The noise value was obtained based on the input rotational speed of 3000 rpm, i=10.

此樣本中的所有產品型號及參數如有變更恕不另行通告，訂貨前請與本司確認。
All product models and parameters in this sample are subject to change without prior notice. Please confirm with the company before ordering.

TBR090系列* TBR090 Series

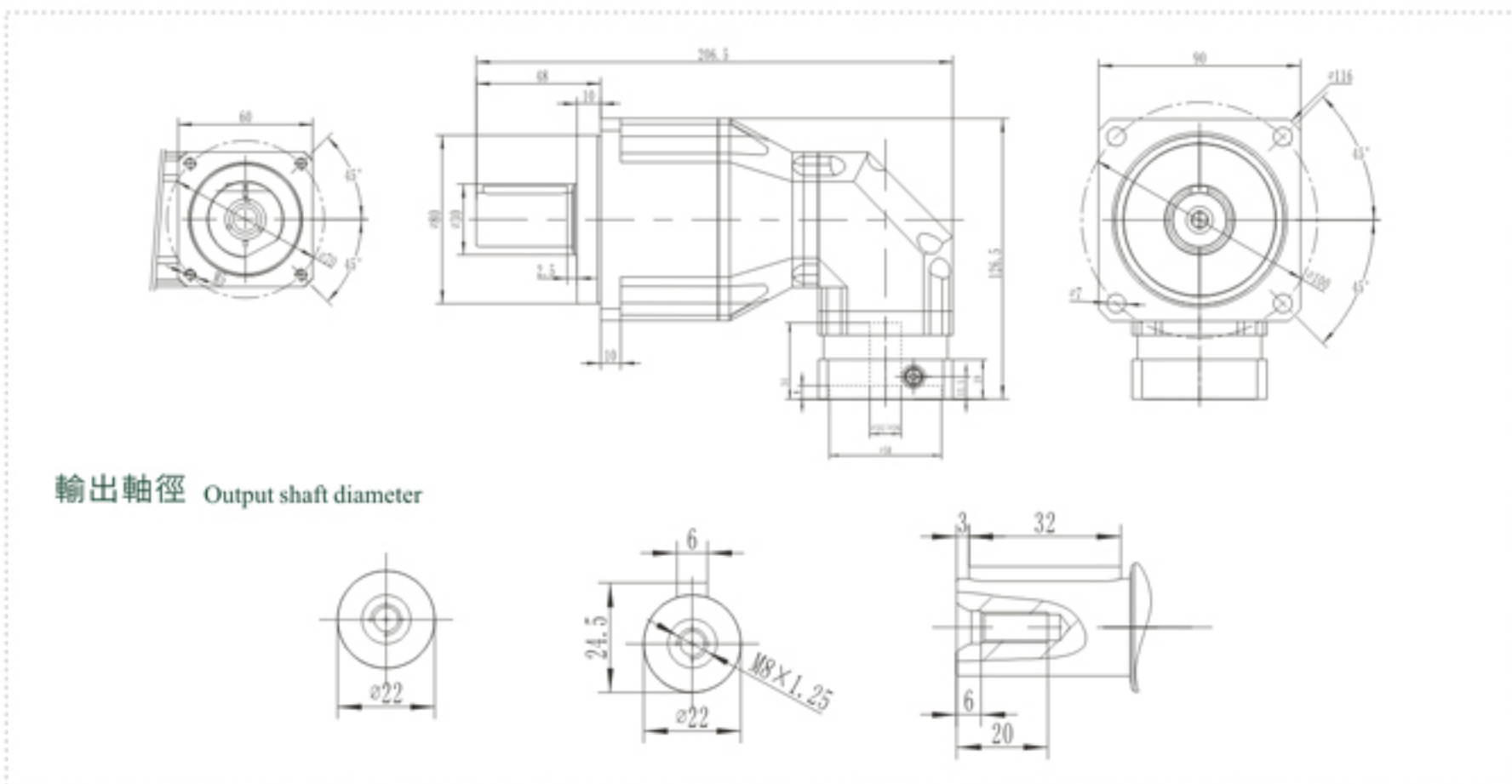
外形尺寸表

TBR090單節* TBR090 One Stage



輸出軸徑 Output shaft diameter

TBR090雙節* TBR090 Two Stage



輸出軸徑 Output shaft diameter

性能資料 Performance data

TB系列減速機採用了標準化的法蘭界面，PSFN的安裝便捷安全，由於抗傾斜力矩很高，這款高精度行星減速機可以完成許多高難度任務。

The TB series reducer adopts a standardized flange interface. The installation of PSFN is convenient and safe. Due to the high anti-tilt torque, this high-precision planetary reducer can perform many difficult tasks.

TB090		單節 One Stage										雙節 Two Stage										
		i	3	4	5	6	7	8	9	10	15	20	25	30	35	40	50	60	70	80	100	
速比 Speed Ratio	i		3	4	5	6	7	8	9	10	15	20	25	30	35	40	50	60	70	80	100	
額定輸出力矩 Rated Output Torque	T ₁	Nm	90	120	150	150	140	120	-	100	-	-	150	150	140	120	100	150	140	120	100	
急停扭矩 Emergency Stop Torque	T ₂	Nm	T ₁ × 3										T ₁ × 3									
額定輸入轉速 Rated Input Speed	S ₁	rpm	4000										4000									
最大輸入轉速 Maximum Input Speed	S ₂	rpm	8000										8000									
最大輸出力矩 Maximum Output Torque	T ₄	Nm	T ₁ × 3 × 60%										T ₁ × 3 × 60%									
最大徑向力 Maximum Radial Force	F _a	N	3250										3250									
最大軸向力 Maximum Axial Force	F _b	N	1625										1625									
扭轉剛性 Torsional Rigidity	-	Nm/arcmin	7										14									
效率 Effectiveness	β	%	≥95%										≥92%									
壽命 Life	-	h	20000h										20000h									
反饋噪音 Feedback Noise	-	dB	≤65dB										≤65dB									
重量 Weight	-	Kg	6.4										7.8									
回程間隙 Return Gap	P0		≤2										≤4									
	P1	arcmin	≤4										≤7									
	P2		≤6										≤9									
使用溫度 Operating Temperature	-	°C	-10°C-90°C										-10°C-90°C									
潤滑 Lubricating	-		合成油脂 Synthetic Grease										合成油脂 Synthetic Grease									
防護等級 Protection Level	-		IP65										IP65									
安裝方向 Installation Direction	-		任意方向 Any Direction										任意方向 Any Direction									
傳動慣量 Transmission Inertia	J	kg·cm ²	2.25										0.35									

依據說明:

- 變速比(i=S_{in}/S_{out})
- 結果輸出轉速100rpm時，作用於輸出軸中心。
- 連續運轉壽命10000h。
- 噪音值基於輸入轉速3000rpm, i=10所得。

According to the instructions:

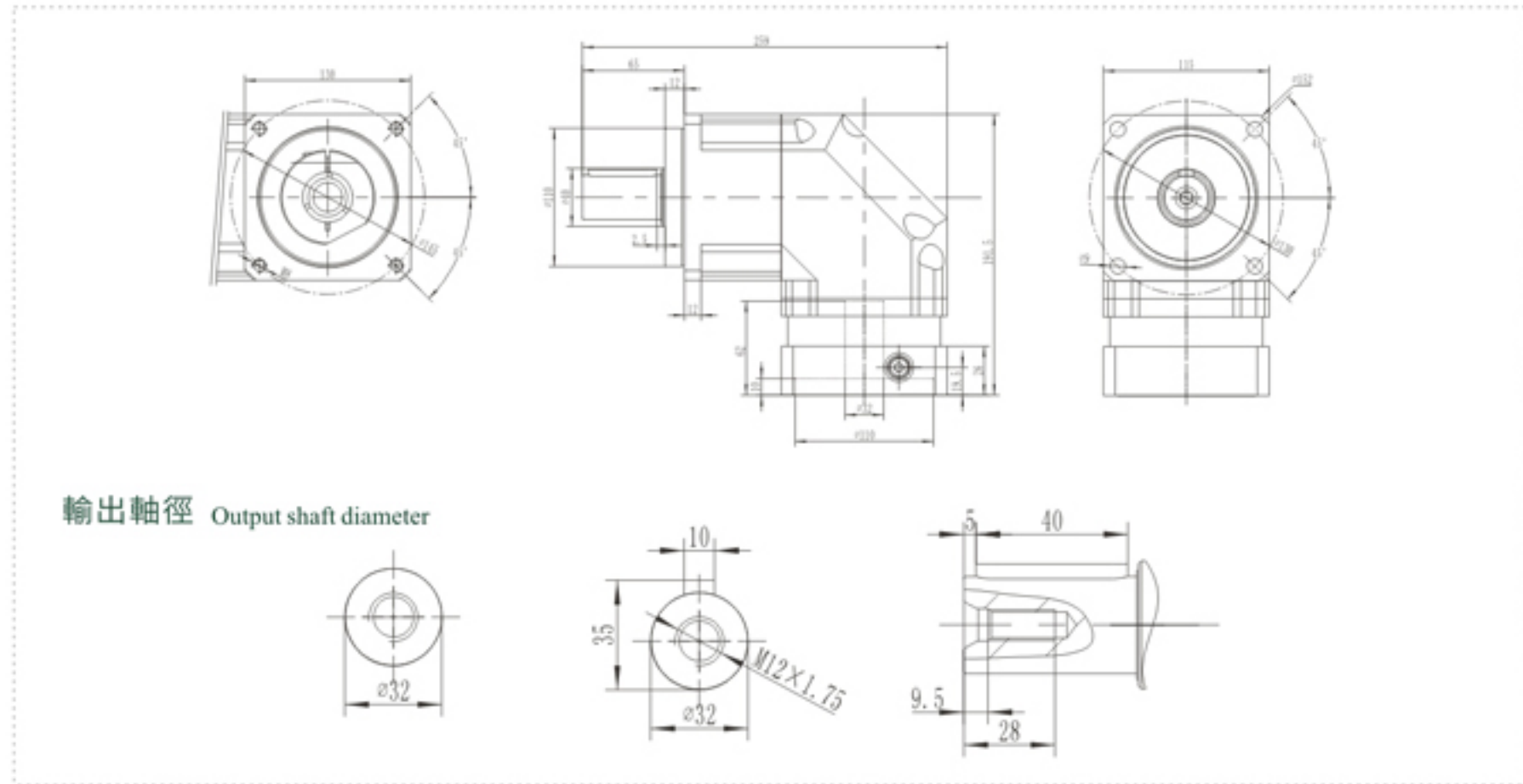
- Speed ratio (i=S_{in}/S_{out})
- As a result, when the output speed is 100 rpm, it acts on the center of the output shaft.
- Continuous operation life of 10000h.
- The noise value was obtained based on the input rotational speed of 3000 rpm, i=10.

此樣本中的所有產品型號及參數如有變更恕不另行通告，訂貨前請與本司確認。
All product models and parameters in this sample are subject to change without prior notice. Please confirm with the company before ordering.

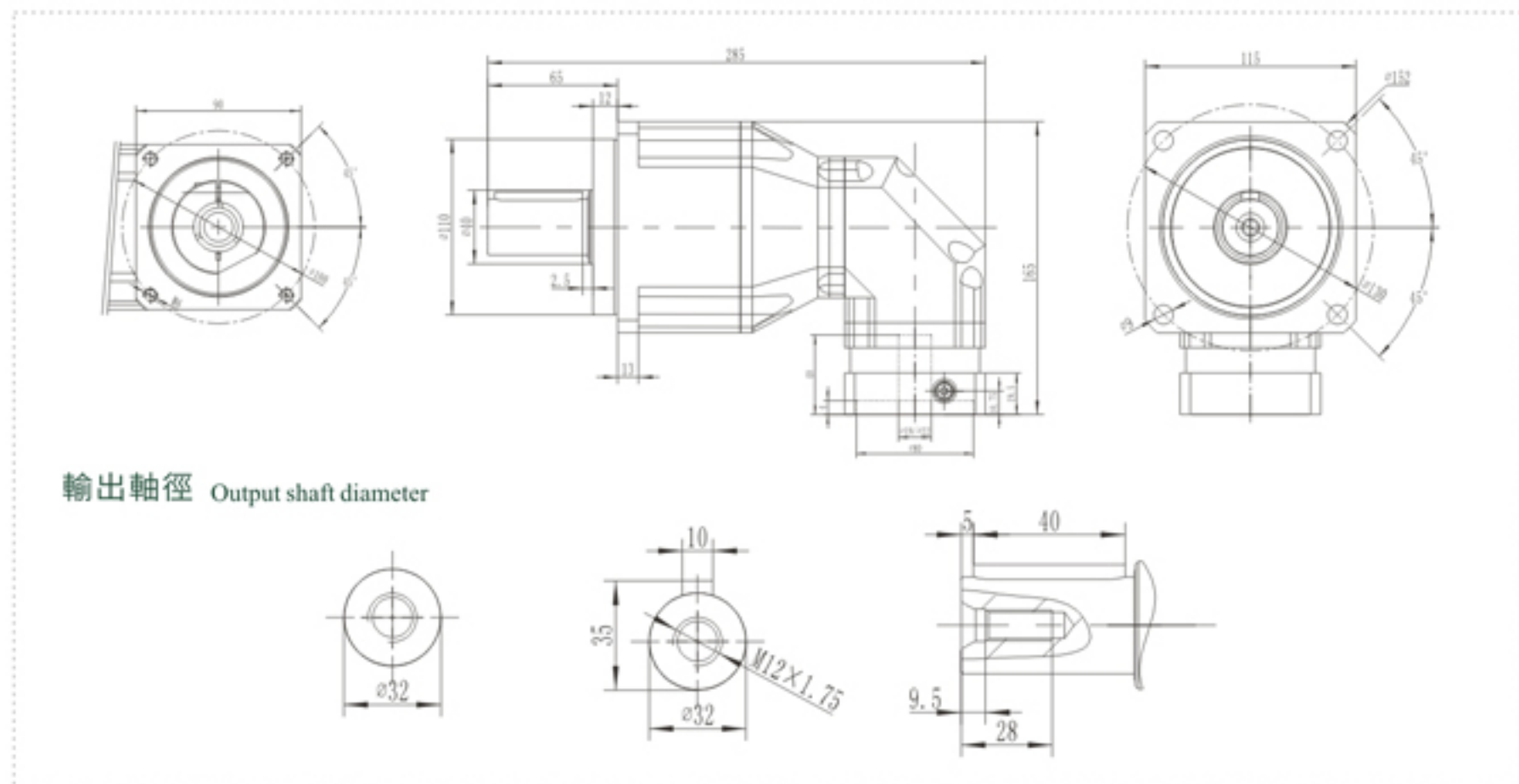
TBR115系列* TBR115 Series

外形尺寸表

TBR115單節* TBR115 One Stage



TBR115雙節* TBR115 Two Stage



性能資料 Performance data

TB系列減速機採用了標準化的法蘭界面，PSFN的安裝便捷安全，由於抗傾斜力矩很高，這款高精度行星減速機可以完成許多高難度任務。

The TB series reducer adopts a standardized flange interface. The installation of PSFN is convenient and safe. Due to the high anti-tilt torque, this high-precision planetary reducer can perform many difficult tasks.

TBR115		單節 One Stage										雙節 Two Stage									
速比 Speed Ratio	i	3	4	5	6	7	8	9	10	15	20	25	30	35	40	50	60	70	80	100	
額定輸出力矩 Rated Output Torque	T ₁	Nm	195	260	325	310	300	260	-	230	-	-	325	310	300	260	230	310	300	260	230
急停扭矩 Emergency Stop Torque	T ₂	Nm	T ₁ ×3										T ₁ ×3								
額定輸入轉速 Rated Input Speed	S ₁	rpm	4000										4000								
最大輸入轉速 Maximum Input Speed	S ₂	rpm	8000										8000								
最大輸出力矩 Maximum Output Torque	T ₄	Nm	T ₁ ×3×60%										T ₁ ×3×60%								
最大徑向力 Maximum Radial Force	F _a	N	6700										6700								
最大軸向力 Maximum Axial Force	F _b	N	3350										3350								
扭轉剛性 Torsional Rigidity	-	Nm/arcmin	25										25								
效率 Effectiveness	β	%	≥95%										≥92%								
壽命 Life	-	h	20000h										20000h								
反饋噪音 Feedback Noise	-	dB	≤68dB										≤68dB								
重量 Weight	-	Kg	13										14.2								
回程間隙 Return Gap	P0		≤2										≤4								
	P1	arcmin	≤4										≤7								
	P2		≤6										≤9								
使用溫度 Operating Temperature	-	°C	-10°C-90°C										-10°C-90°C								
潤滑 Lubricating	-		合成油脂 Synthetic Grease										合成油脂 Synthetic Grease								
防護等級 Protection Level	-		IP65										IP65								
安裝方向 Installation Direction	-		任意方向 Any Direction										任意方向 Any Direction								
傳動慣量 Transmission Inertia	J	kg·cm ²	6.84										-	2.25							

依據說明:

- 變速比(i=S_{in}/S_{out})
- 結果輸出轉速100rpm時，作用於輸出軸中心。
- 連續運轉壽命10000h。
- 噪音值基於輸入轉速3000rpm, i=10所得。

According to the instructions:

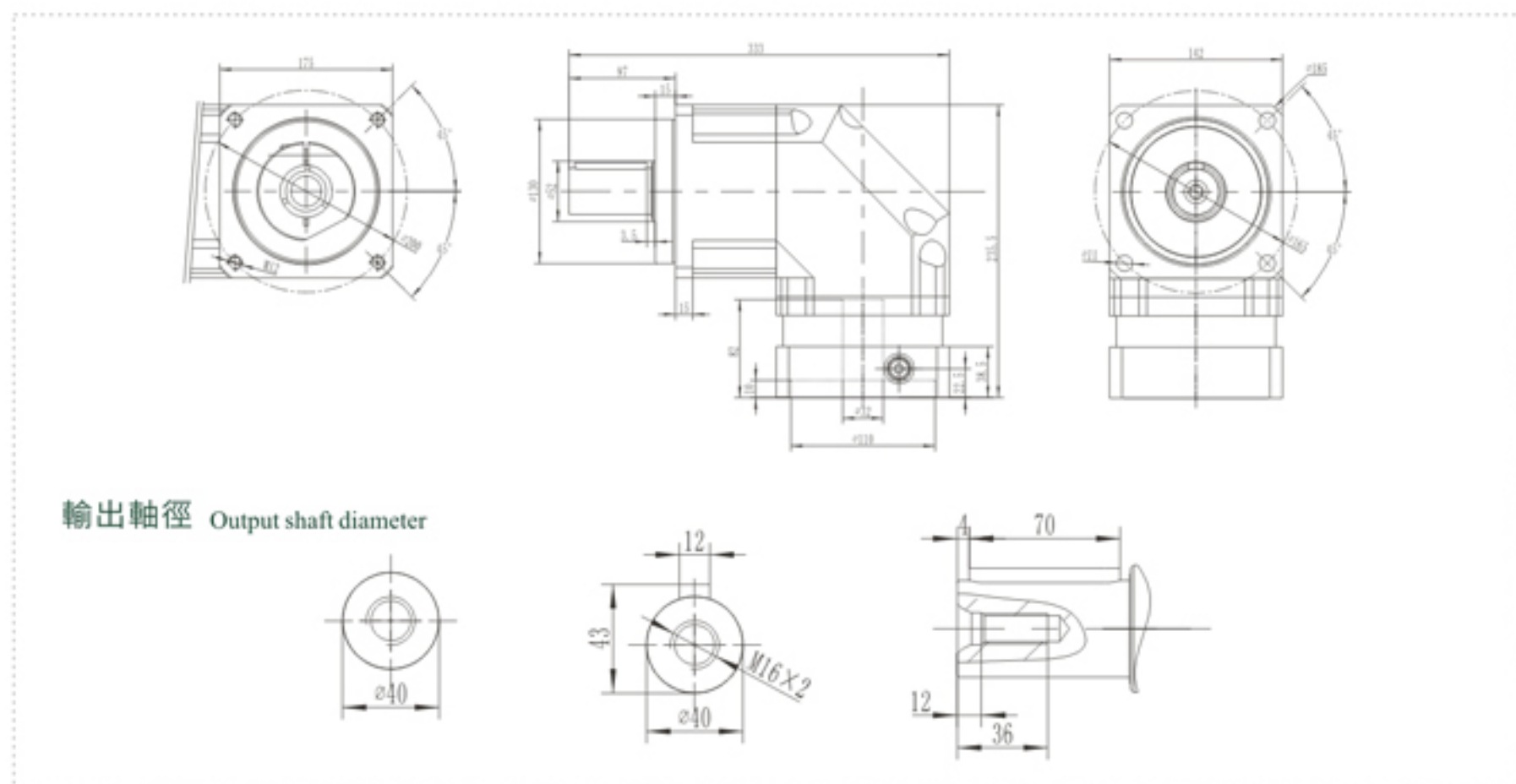
- Speed ratio (i=S_{in}/S_{out})
- As a result, when the output speed is 100 rpm, it acts on the center of the output shaft.
- Continuous operation life of 10000h.
- The noise value was obtained based on the input rotational speed of 3000 rpm, i=10.

此樣本中的所有產品型號及參數如有變更恕不另行通知，訂貨前請與本司確認。
All product models and parameters in this sample are subject to change without prior notice. Please confirm with the company before ordering.

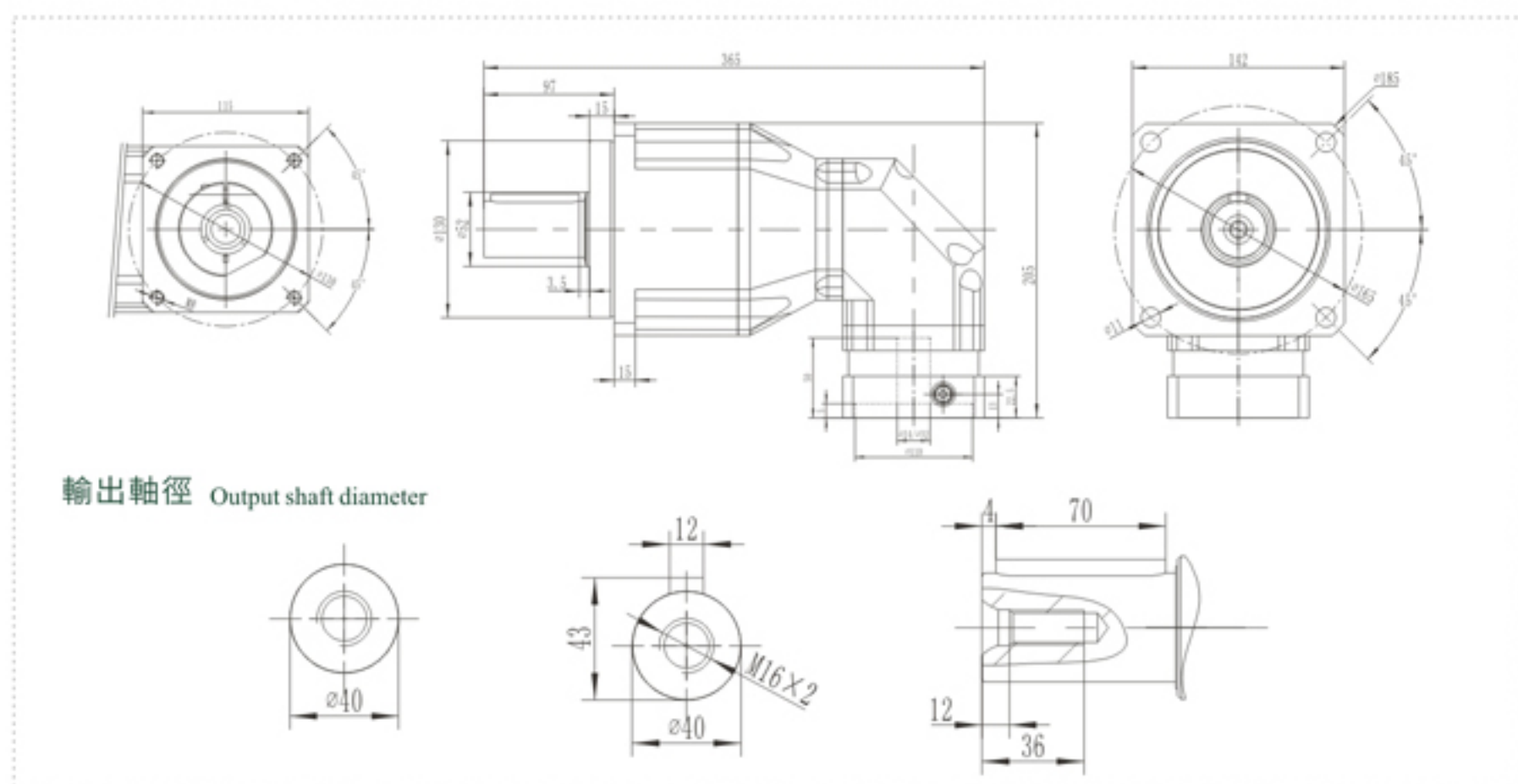
TBR142系列* TBR142 Series

外形尺寸表

TBR142單節* TBR142 One Stage



TBR142雙節* TBR142 Two Stage



性能資料 Performance data

TB系列減速機採用了標準化的法蘭界面，PSFN的安裝便捷安全，由於抗傾斜力矩很高，這款高精度行星減速機可以完成許多高難度任務。

The TB series reducer adopts a standardized flange interface. The installation of PSFN is convenient and safe. Due to the high anti-tilt torque, this high-precision planetary reducer can perform many difficult tasks.

TBR142		i	單節 One Stage													雙節 Two Stage					
			3	4	5	6	7	8	9	10	15	20	25	30	35	40	50	60	70	80	100
速比 Speed Ratio		i																			
額定輸出力矩 Rated Output Torque	T ₁	Nm	342	520	650	600	550	500	-	450	-	-	650	600	550	500	650	600	550	500	450
急停扭矩 Emergency Stop Torque	T ₂	Nm	T ₁ ×3													T ₁ ×3					
額定輸入轉速 Rated Input Speed	S ₁	rpm	3000													3000					
最大輸入轉速 Maximum Input Speed	S ₂	rpm	6000													6000					
最大輸出力矩 Maximum Output Torque	T ₄	Nm	T ₁ ×3×60%													T ₁ ×3×60%					
最大徑向力 Maximum Radial Force	F _a	N	9400													9400					
最大軸向力 Maximum Axial Force	F _b	N	4700													4700					
扭轉剛性 Torsional Rigidity	-	Nm/arcmin	50													50					
效率 Effectiveness	β	%	≥95%													≥92%					
壽命 Life	-	h	20000h													20000h					
反饋噪音 Feedback Noise	-	dB	≤70dB													≤70dB					
重量 Weight	-	Kg	24.5													27.5					
回程間隙 Return Gap	P0		≤2													≤4					
	P1	arcmin	≤4													≤7					
	P2		≤6													≤9					
使用溫度 Operating Temperature	-	°C	-10°C-90°C													-10°C-90°C					
潤滑 Lubricating	-		合成油脂 Synthetic Grease													合成油脂 Synthetic Grease					
防護等級 Protection Level	-		IP65													IP65					
安裝方向 Installation Direction	-		任意方向 Any Direction													任意方向 Any Direction					
傳動慣量 Transmission Inertia	J	kg.cm ²	23.4													6.84					

依據說明:

- 變速比($i=S_{in}/S_{out}$)
- 結果輸出轉速100rpm時，作用於輸出軸中心。
- 連續運轉壽命10000h。
- 噪音值基於輸入轉速3000rpm, $i=10$ 所得。

According to the instructions:

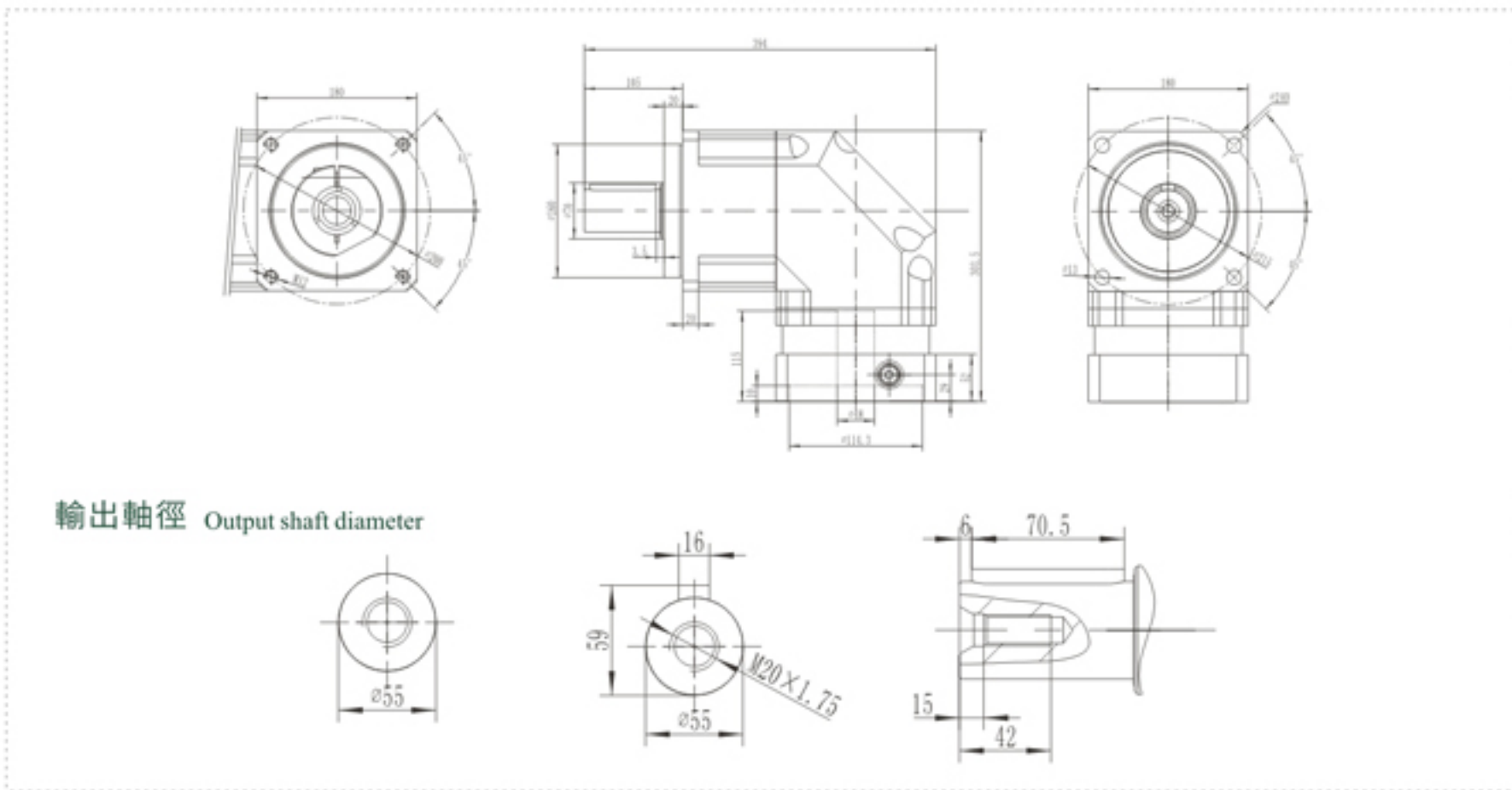
- Speed ratio ($i=S_{in}/S_{out}$)
- As a result, when the output speed is 100 rpm, it acts on the center of the output shaft.
- Continuous operation life of 10000h.
- The noise value was obtained based on the input rotational speed of 3000 rpm, $i=10$.

此樣本中的所有產品型號及參數如有變更恕不另行通告，訂貨前請與本司確認。
All product models and parameters in this sample are subject to change without prior notice. Please confirm with the company before ordering.

TBR180系列* TBR180 Series

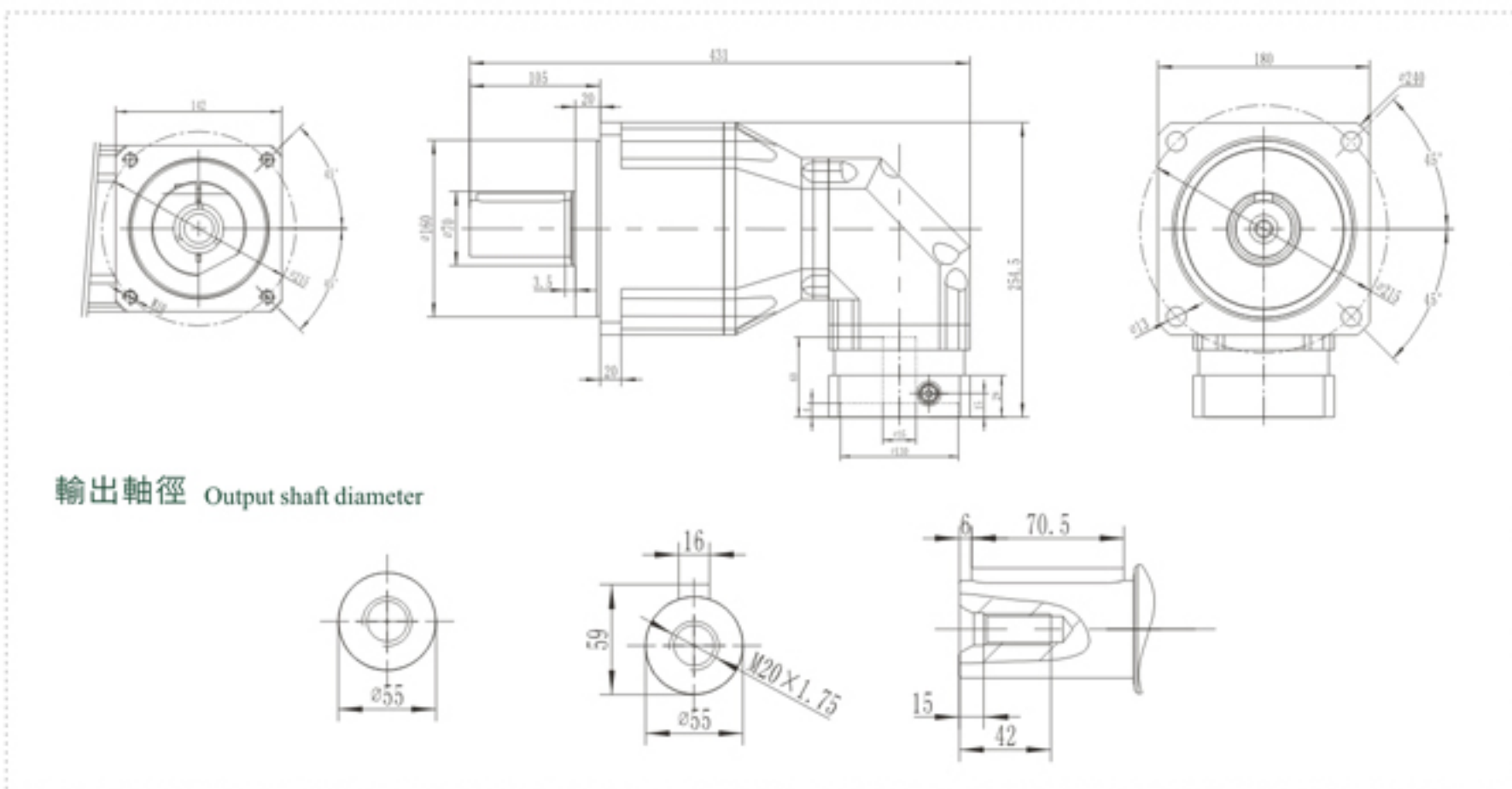
外形尺寸表

TBR180單節* TBR180 One Stage



輸出軸徑 Output shaft diameter

TBR180雙節* TBR180 Two Stage



輸出軸徑 Output shaft diameter

性能資料 Performance data

TB系列減速機採用了標準化的法蘭界面，PSFN的安裝便捷安全，由於抗傾斜力矩很高，這款高精度行星減速機可以完成許多高難度任務。

The TB series reducer adopts a standardized flange interface. The installation of PSFN is convenient and safe. Due to the high anti-tilt torque, this high-precision planetary reducer can perform many difficult tasks.

TBR180		單節 One Stage										雙節 Two Stage										
速比 Speed Ratio	i	3	4	5	6	7	8	9	10	15	20	25	30	35	40	50	60	70	80	100		
額定輸出力矩 Rated Output Torque	T ₁	Nm	588	1040	1200	1100	1100	1000	-	900	-	-	1200	1100	1100	1000	1200	1100	1100	1000	900	
急停扭矩 Emergency Stop Torque	T ₂	Nm	T ₁ × 3										T ₁ × 3									
額定輸入轉速 Rated Input Speed	S ₁	rpm	3000										3000									
最大輸入轉速 Maximum Input Speed	S ₂	rpm	6000										6000									
最大輸出力矩 Maximum Output Torque	T ₄	Nm	T ₁ × 3 × 60%										T ₁ × 3 × 60%									
最大徑向力 Maximum Radial Force	F _a	N	14500										14500									
最大軸向力 Maximum Axial Force	F _b	N	7250										7250									
扭轉剛性 Torsional Rigidity	-	Nm/arcmin	145										145									
效率 Effectiveness	β	%	≥95%										≥92%									
壽命 Life	-	h	20000h										20000h									
反饋噪音 Feedback Noise	-	dB	≤72dB										≤72dB									
重量 Weight	-	Kg	51										54									
回程間隙 Return Gap	P0		≤2										≤4									
	P1	arcmin	≤4										≤7									
	P2		≤6										≤9									
使用溫度 Operating Temperature	-	°C	-10°C-90°C										-10°C-90°C									
潤滑 Lubricating	-		合成油脂 Synthetic Grease										合成油脂 Synthetic Grease									
防護等級 Protection Level	-		IP65										IP65									
安裝方向 Installation Direction	-		任意方向 Any Direction										任意方向 Any Direction									
傳動慣量 Transmission Inertia	J	kg·cm ²	68.9										23.4									

依據說明:

- 變速比(i=S_{in}/S_{out})
- 結果輸出轉速100rpm時，作用於輸出軸中心。
- 連續運轉壽命10000h。
- 噪音值基於輸入轉速3000rpm, i=10所得。

According to the instructions:

- Speed ratio (i=S_{in}/S_{out})
- As a result, when the output speed is 100 rpm, it acts on the center of the output shaft.
- Continuous operation life of 10000h.
- The noise value was obtained based on the input rotational speed of 3000 rpm, i=10.

此樣本中的所有產品型號及參數如有變更恕不另行通告，訂貨前請與本司確認。
All product models and parameters in this sample are subject to change without prior notice. Please confirm with the company before ordering.

精密行星減速機

Precision Planetary Reducer

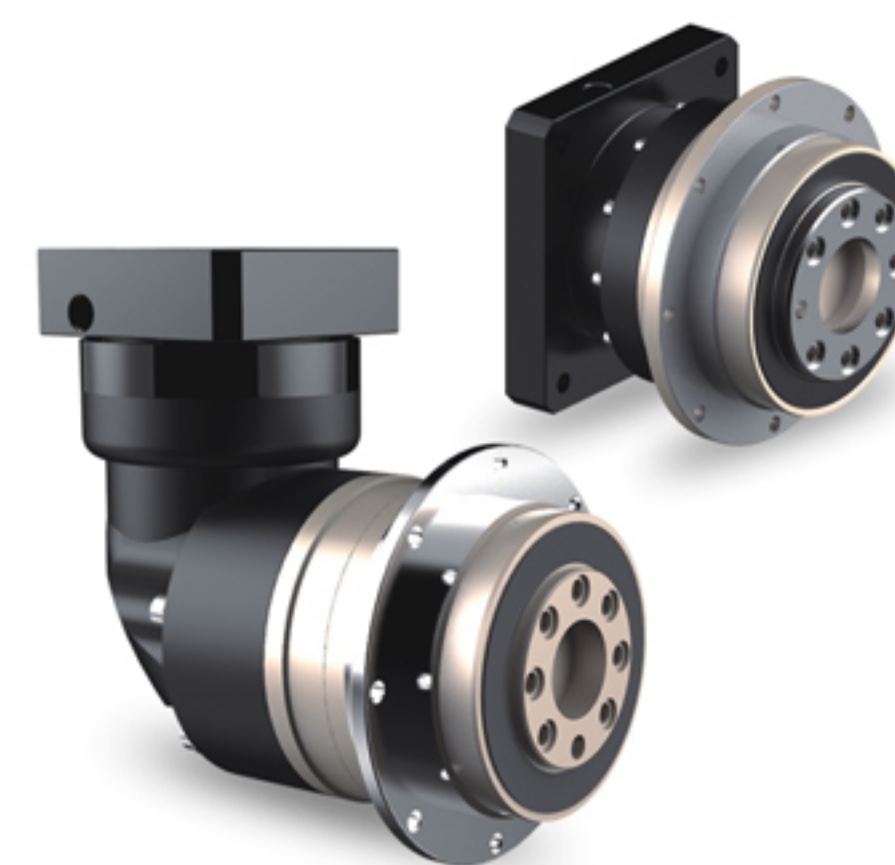


其優勢在於：此款行星減速機即使在最高轉速時也能達到最高效率，十分適用於高標準的生產工況，壹款真正強效且價格合理的產品。

The advantage is that this planetary reducer achieves maximum efficiency even at the highest speeds, making it ideal for high-standard production conditions, a truly powerful and reasonably priced product.

TECHMECH DRIVES THE FUTURE

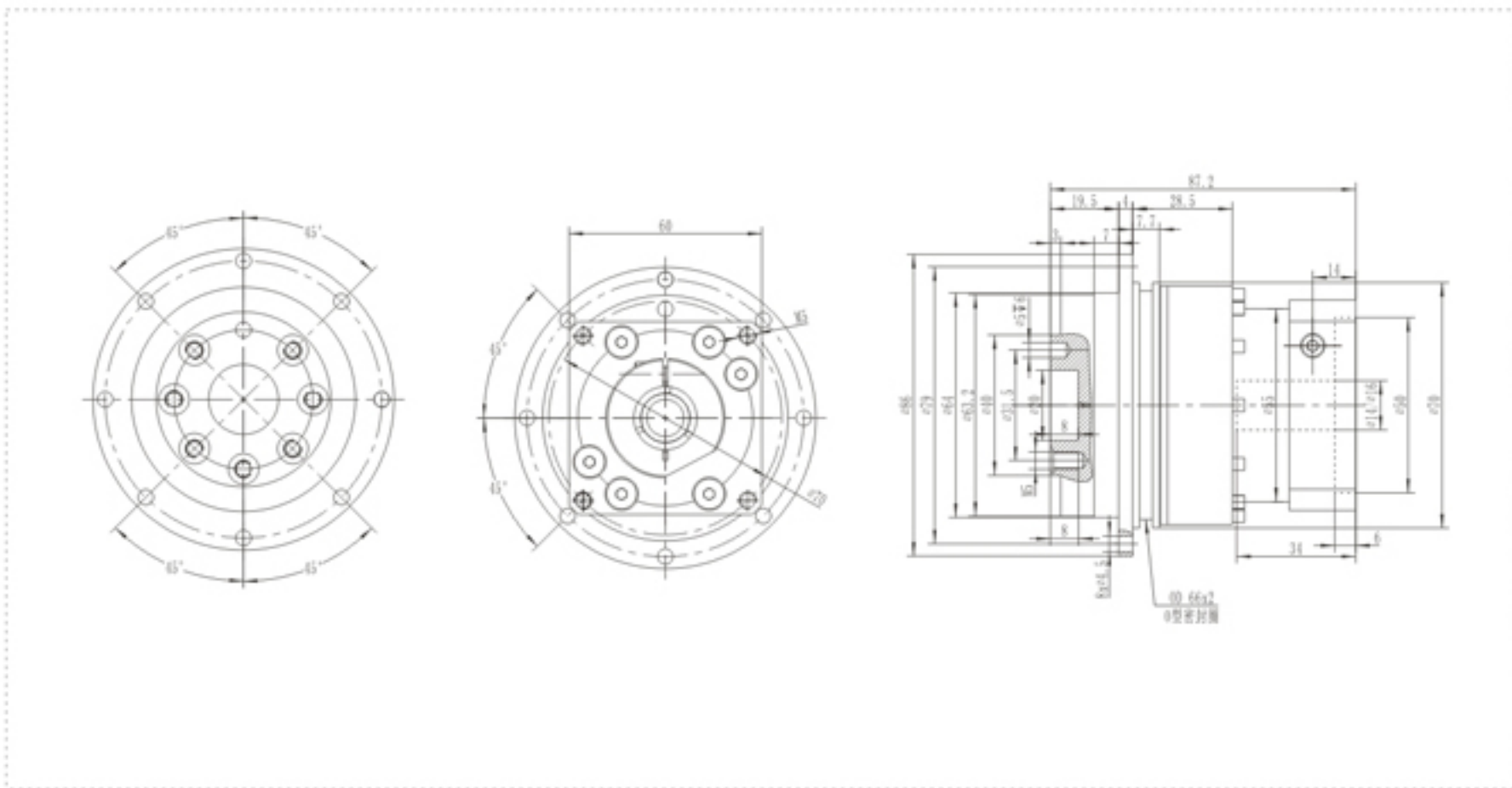
鈦科瑪格 傳動未來



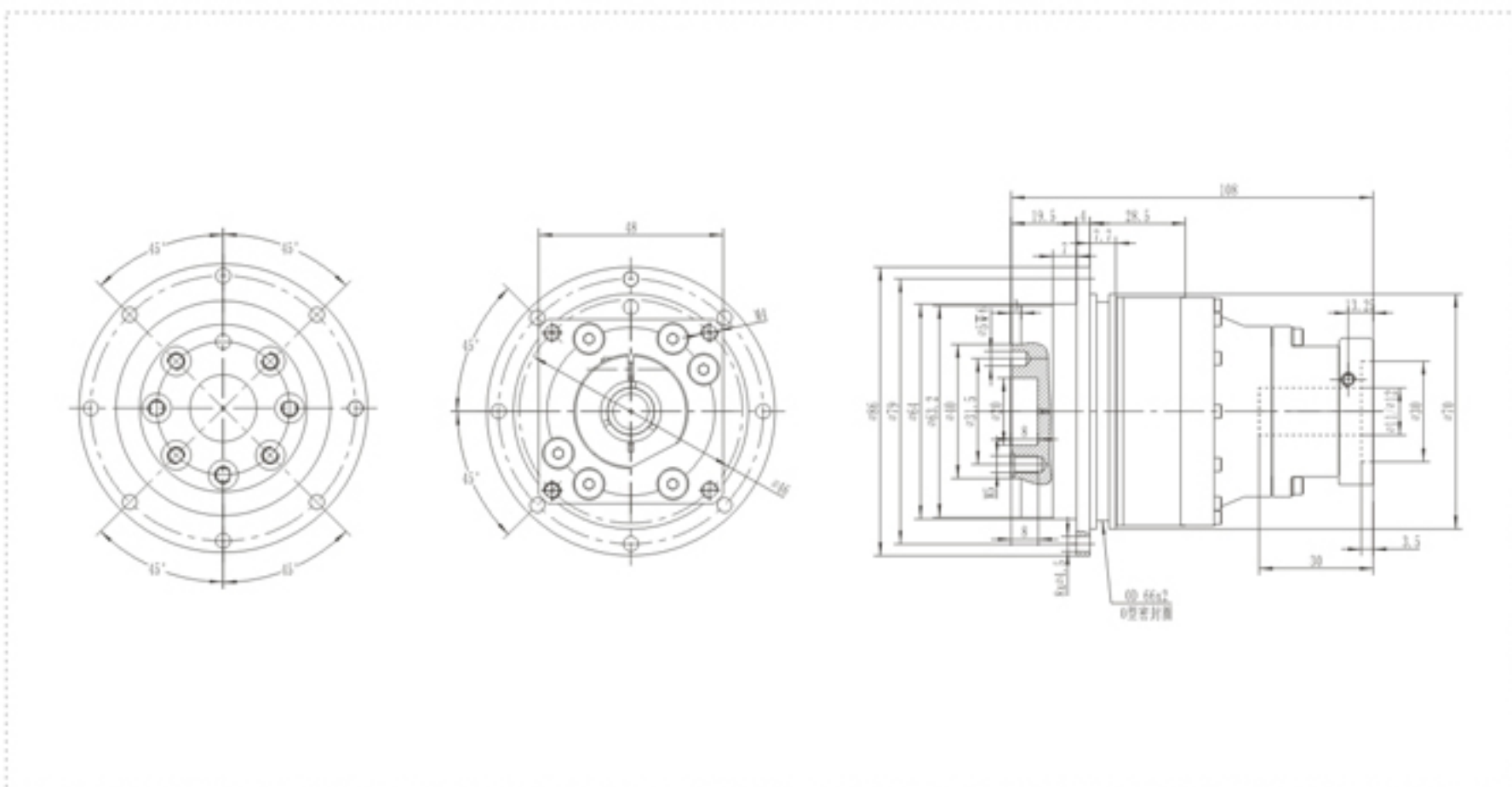
TD064系列* TD064 Single stage

外形尺寸表

TD064單節* TD064 One Stage



TD064雙節* TD064 Two Stage



性能資料 Performance data

TD系列減速機能滿足壹些非常特殊的需求，高剛度、高性能和結構緊湊多變性是該產品最主要的特點，可任意搭配。

TD series reducers can meet some very special needs. High rigidity, high performance and compact structure are the most important features of this product.

TD064		單節 One Stage						雙節 Two Stage						
速比 Speed Ratio	i		4	5	7	10	20	25	35	40	50	70	100	
額定輸出力矩 Rated Output Torque	T ₁	Nm	48	60	50	40	48	60	50	48	60	50	40	
急停扭矩 Emergency Stop Torque	T ₂	Nm	T ₁ ×3						T ₁ ×3					
額定輸入轉速 Rated Input Speed	S ₁	rpm	5000						5000					
最大輸入轉速 Maximum Input Speed	S ₂	rpm	10000						10000					
最大輸出力矩 Maximum Output Torque	T ₄	Nm	T ₁ ×3×60%						T ₁ ×3×60%					
最大彎曲力 Maximum Bending Force	F _a	N	125						125					
最大軸向力 Maximum Axial Force	F _b	N	1050						1050					
扭轉剛性 Torsional Rigidity	-	Nm/arcmin	13						13					
效率 Effectiveness	β	%	≥97%						≥94%					
壽命 Life	-	h	20000h						20000h					
反饋噪音 Feedback Noise	-	dB	≤58dB						≤58dB					
重量 Weight	-	Kg	1.3						1.9					
回程間隙 Return Gap	P0		≤1						≤3					
	P1	arcmin	≤3						≤5					
	P2		≤5						≤7					
使用溫度 Operating Temperature	-	°C	-10°C-90°C						-10°C-90°C					
潤滑 Lubricating	-		合成油脂 Synthetic Grease						合成油脂 Synthetic Grease					
防護等級 Protection Level	-		IP65						IP65					
安裝方向 Installation Direction	-		任意方向 Any Direction						任意方向 Any Direction					
傳動慣量 Transmission Inertia	J	kg.cm ²	0.14	0.13				0.03						

依據說明:

- 變速比(i=S_{in}/S_{out})
- 結果輸出轉速100rpm時，作用於輸出軸中心。
- 連續運轉壽命10000h。
- 噪音值基於輸入轉速3000rpm, i=10所得。

According to the instructions:

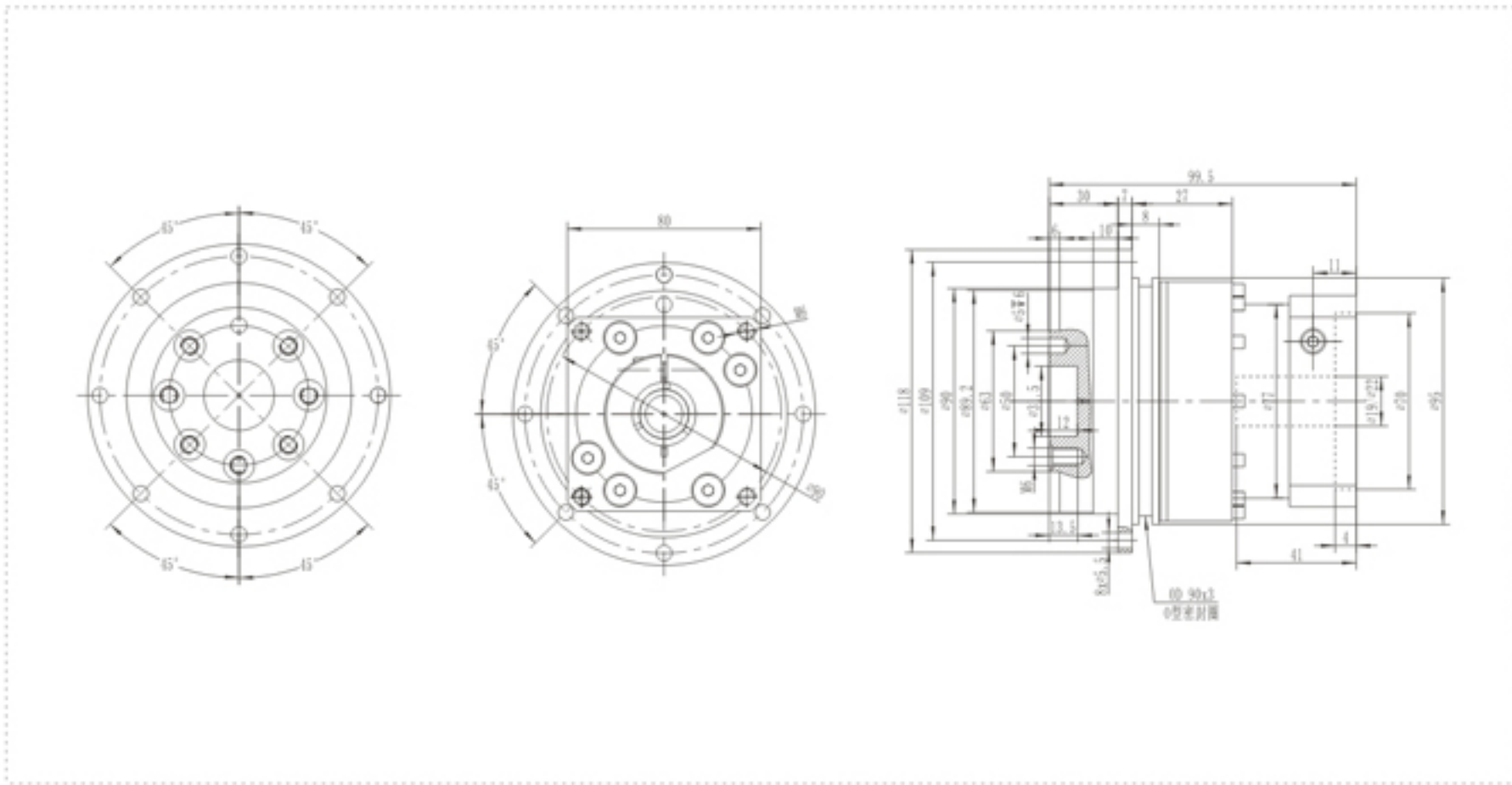
- Speed ratio (i=S_{in}/S_{out})
- As a result, when the output speed is 100 rpm, it acts on the center of the output shaft.
- Continuous operation life of 10000h.
- The noise value was obtained based on the input rotational speed of 3000 rpm, i=10.

此樣本中的所有產品型號及參數如有變更恕不另行通告，訂貨前請與本司確認。
All product models and parameters in this sample are subject to change without prior notice. Please confirm with the company before ordering.

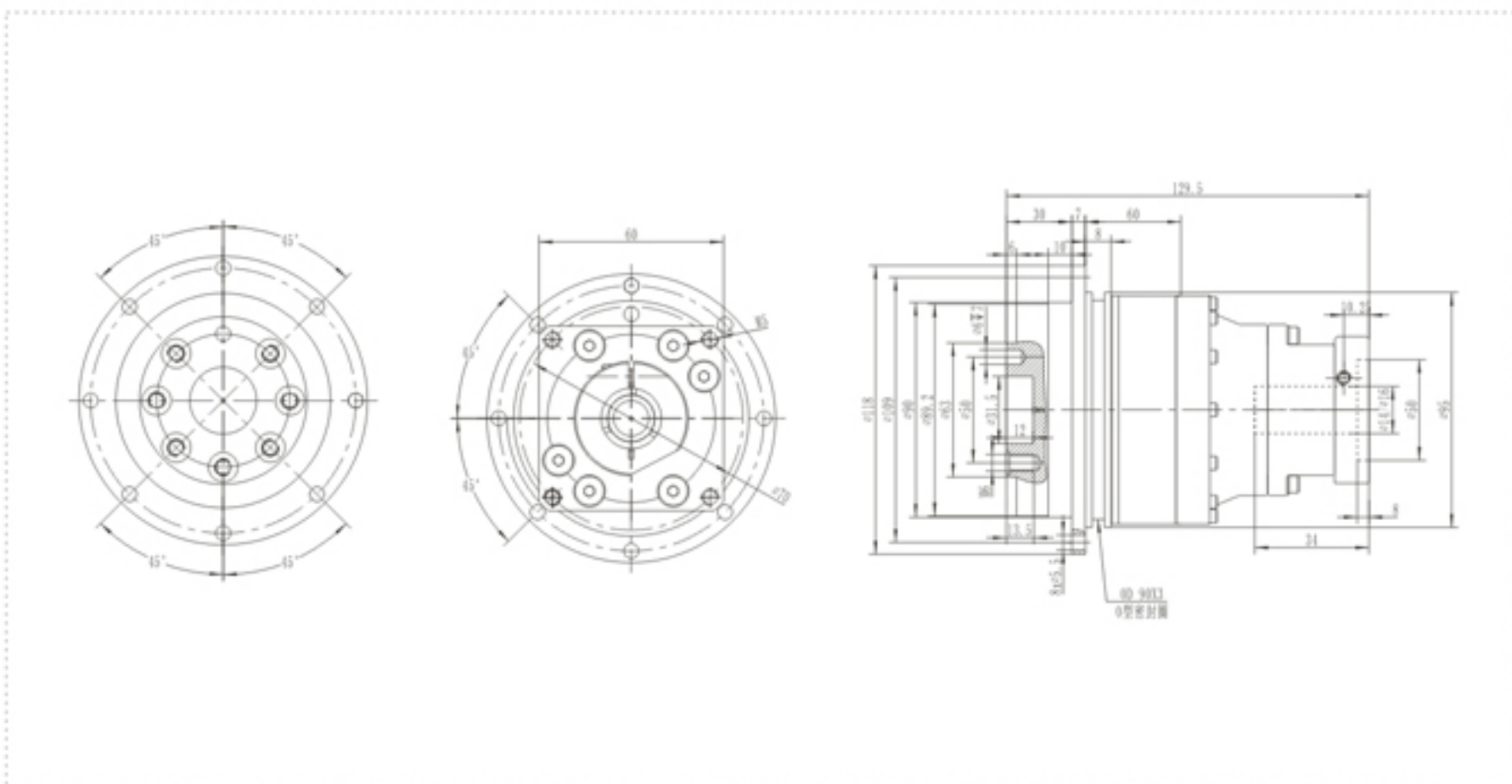
TD090系列* TD090 Single stage

外形尺寸表

TD090單節* TD090 One Stage



TD090雙節* TD090 Two Stage



性能資料 Performance data

TD系列減速機能滿足壹些非常特殊的需求，高剛度、高性能和結構緊湊多變性是該產品最主要的特點，可任意搭配。

TD series reducers can meet some very special needs. High rigidity, high performance and compact structure are the most important features of this product.

TD090		單節 One Stage						雙節 Two Stage						
速比 Speed Ratio	i	4	5	7	10	20	25	35	40	50	70	100		
額定輸出力矩 Rated Output Torque	T ₁	Nm	130	160	140	100	130	160	140	130	160	140		
急停扭矩 Emergency Stop Torque	T ₂	Nm	T ₁ ×3						T ₁ ×3					
額定輸入轉速 Rated Input Speed	S ₁	rpm	4000						4000					
最大輸入轉速 Maximum Input Speed	S ₂	rpm	8000						8000					
最大輸出力矩 Maximum Output Torque	T ₄	Nm	T ₁ ×3×60%						T ₁ ×3×60%					
最大彎曲力 Maximum Bending Force	F _a	N	235						235					
最大軸向力 Maximum Axial Force	F _b	N	2850						2850					
扭轉剛性 Torsional Rigidity	-	Nm/arcmin	31						31					
效率 Effectiveness	β	%	≥97%						≥97%					
壽命 Life	-	h	20000h						20000h					
反饋噪音 Feedback Noise	-	dB	≤63dB						≤63dB					
重量 Weight	-	Kg	3.0						3.7					
回程間隙 Return Gap	P0		≤1						≤3					
	P1	arcmin	≤3						≤5					
	P2		≤5						≤7					
使用溫度 Operating Temperature	-	°C	-10°C-90°C						-10°C-90°C					
潤滑 Lubricating	-		合成油脂 Synthetic Grease						合成油脂 Synthetic Grease					
防護等級 Protection Level	-		IP65						IP65					
安裝方向 Installation Direction	-		任意方向 Any Direction						任意方向 Any Direction					
傳動慣量 Transmission Inertia	J	kg.cm ²	0.51	0.47	0.45	0.44	0.13							

依據說明:

- 變速比(i=S_{in}/S_{out})
- 結果輸出轉速100rpm時，作用於輸出軸中心。
- 連續運轉壽命10000h。
- 噪音值基於輸入轉速3000rpm, i=10所得。

According to the instructions:

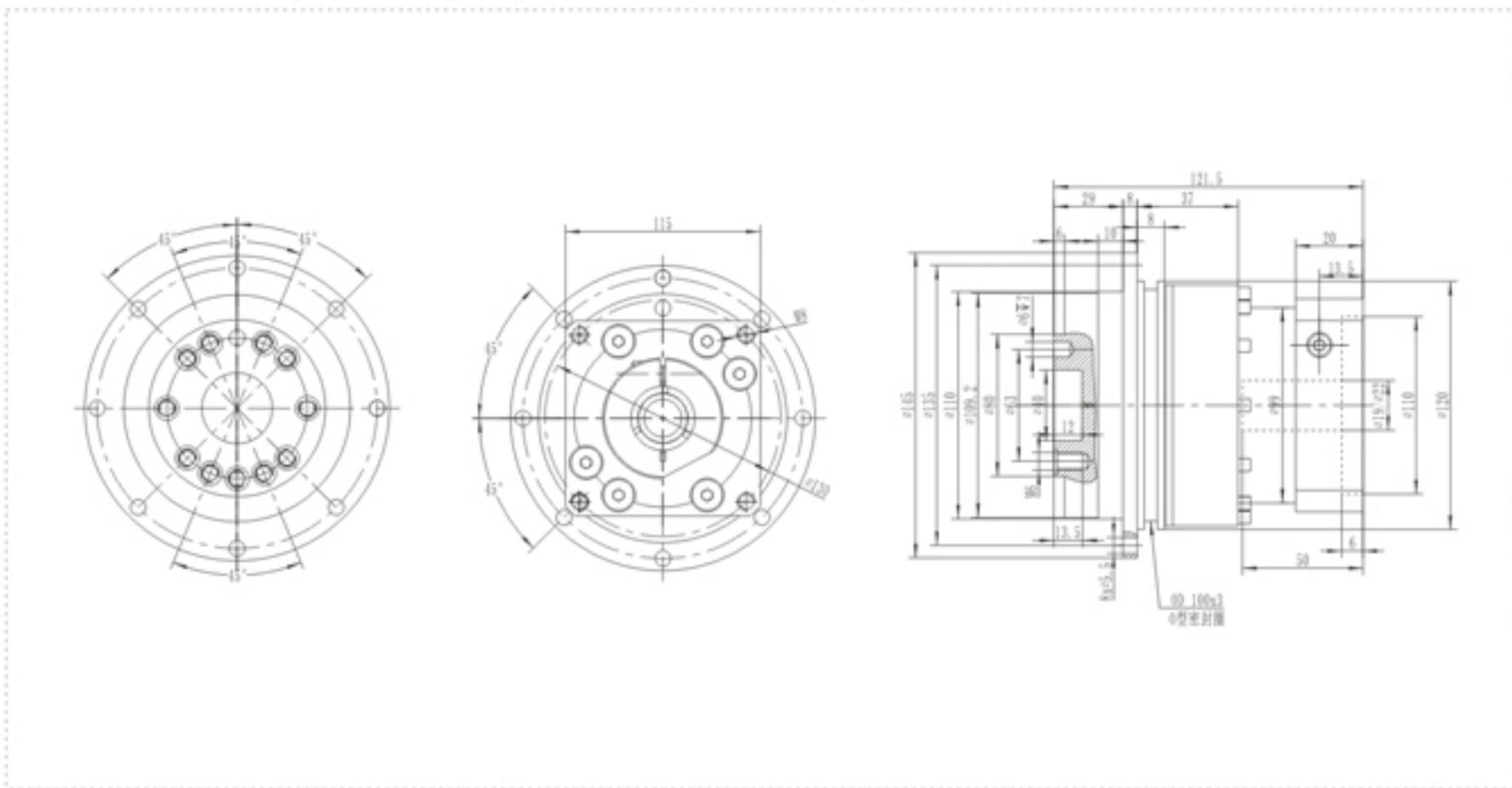
- Speed ratio (i=S_{in}/S_{out})
- As a result, when the output speed is 100 rpm, it acts on the center of the output shaft.
- Continuous operation life of 10000h.
- The noise value was obtained based on the input rotational speed of 3000 rpm, i=10.

此樣本中的所有產品型號及參數如有變更恕不另行通告，訂貨前請與本司確認。
All product models and parameters in this sample are subject to change without prior notice. Please confirm with the company before ordering.

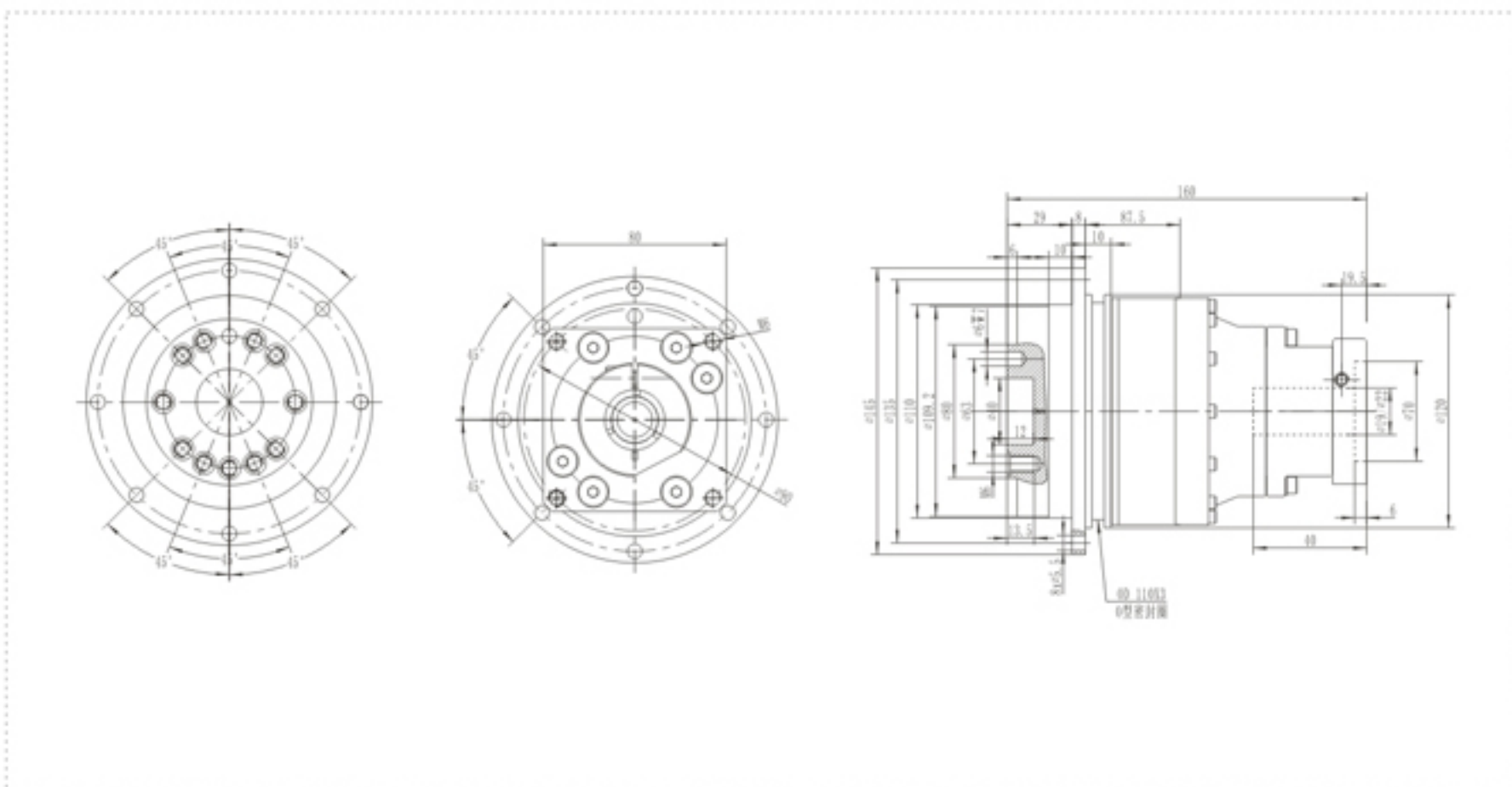
TD110系列* TD110 Single stage

外形尺寸表

TD110單節* TD110 One Stage



TD110雙節* TD110 Two Stage



性能資料 Performance data

TD系列減速機能滿足壹些非常特殊的需求，高剛度、高性能和結構緊湊多變性是該產品最主要的特點，可任意搭配。

TD series reducers can meet some very special needs. High rigidity, high performance and compact structure are the most important features of this product.

TD110		單節 One Stage						雙節 Two Stage						
速比 Speed Ratio	i	4	5	7	10	20	25	35	40	50	70	100		
額定輸出力矩 Rated Output Torque	T ₁	Nm	270	330	300	230	270	330	300	270	330	300	230	
急停扭矩 Emergency Stop Torque	T ₂	Nm	T ₁ ×3						T ₁ ×3					
額定輸入轉速 Rated Input Speed	S ₁	rpm	4000						4000					
最大輸入轉速 Maximum Input Speed	S ₂	rpm	8000						8000					
最大輸出力矩 Maximum Output Torque	T ₄	Nm	T ₁ ×3×60%						T ₁ ×3×60%					
最大彎曲力 Maximum Bending Force	F _a	N	430						430					
最大軸向力 Maximum Axial Force	F _b	N	2990						2990					
扭轉剛性 Torsional Rigidity	-	Nm/arcmin	82						82					
效率 Effectiveness	β	%	≥97%						≥94%					
壽命 Life	-	h	20000h						20000h					
反饋噪音 Feedback Noise	-	dB	≤60dB						≤60dB					
重量 Weight	-	Kg	7.7						9					
回程間隙 Return Gap	P0		≤1						≤3					
	P1	arcmin	≤3						≤5					
	P2		≤5						≤7					
使用溫度 Operating Temperature	-	°C	-10°C-90°C						-10°C-90°C					
潤滑 Lubricating	-		合成油脂 Synthetic Grease						合成油脂 Synthetic Grease					
防護等級 Protection Level	-		IP65						IP65					
安裝方向 Installation Direction	-		任意方向 Any Direction						任意方向 Any Direction					
傳動慣量 Transmission Inertia	J	kg.cm ²	2.87	2.71	2.62	2.57	0.47			0.44				

依據說明:

- 變速比(i=S_{in}/S_{out})
- 結果輸出轉速100rpm時，作用於輸出軸中心。
- 連續運轉壽命10000h。
- 噪音值基於輸入轉速3000rpm, i=10所得。

According to the instructions:

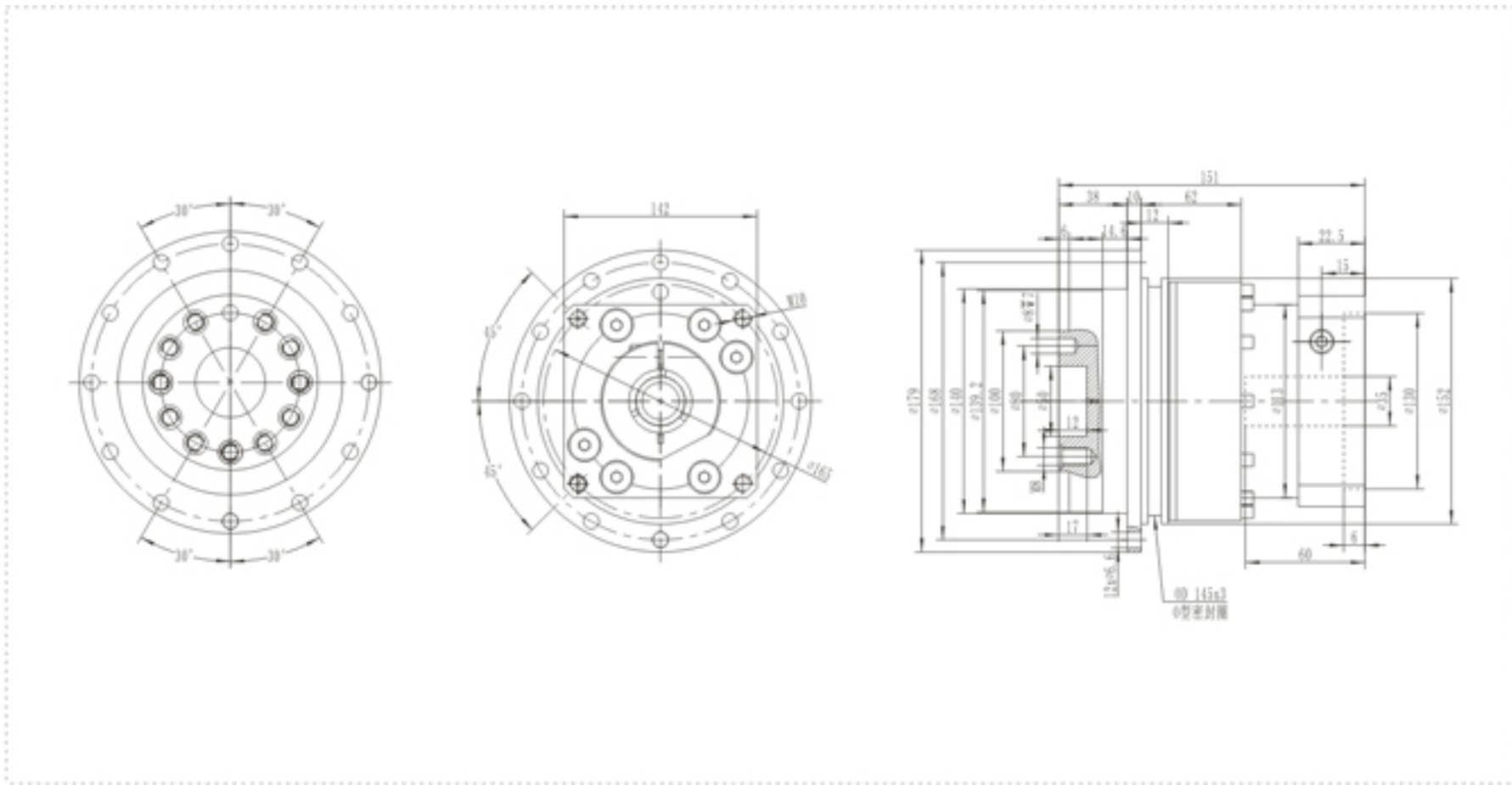
- Speed ratio (i=S_{in}/S_{out})
- As a result, when the output speed is 100 rpm, it acts on the center of the output shaft.
- Continuous operation life of 10000h.
- The noise value was obtained based on the input rotational speed of 3000 rpm, i=10.

此樣本中的所有產品型號及參數如有變更恕不另行通告，訂貨前請與本司確認。
All product models and parameters in this sample are subject to change without prior notice. Please confirm with the company before ordering.

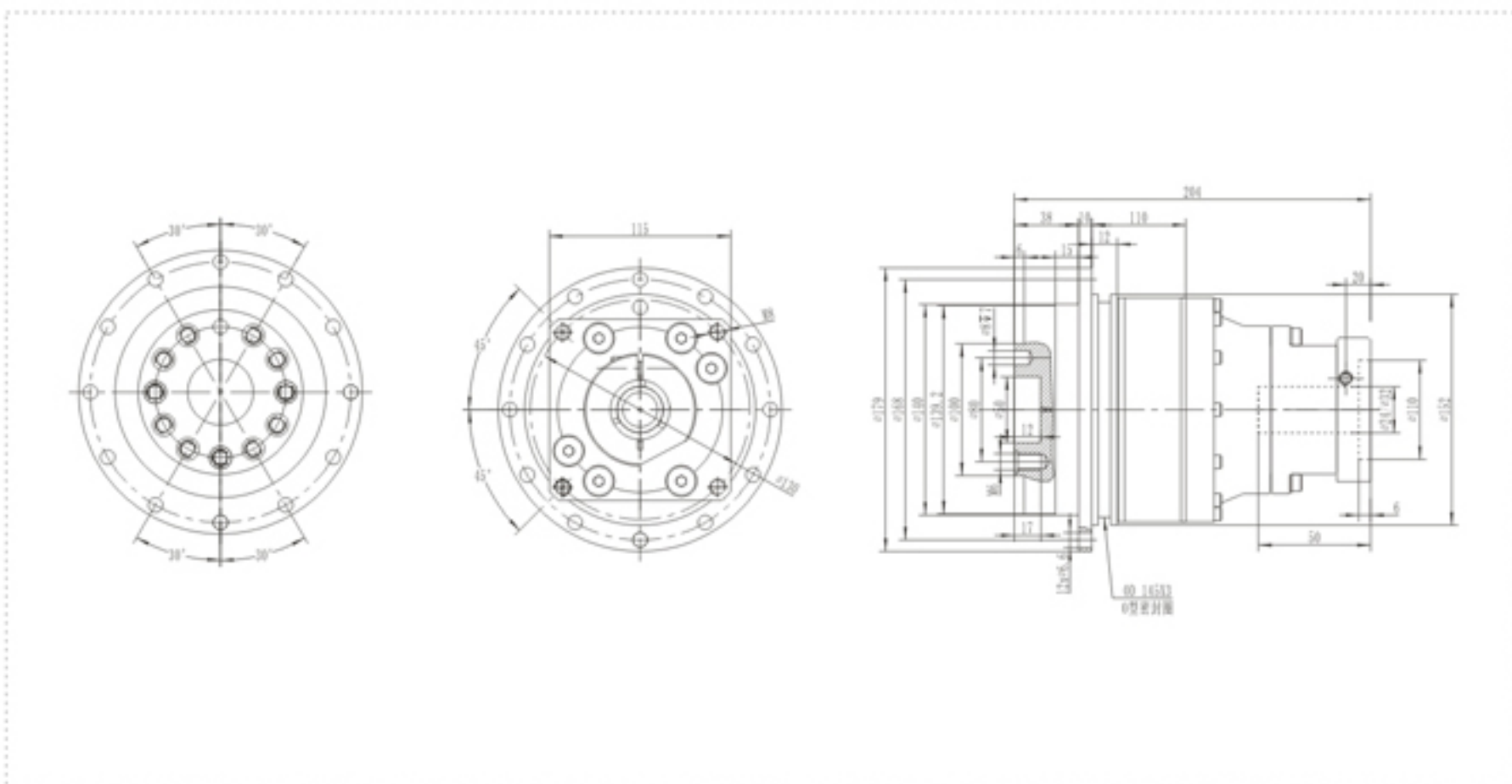
TD140系列* TD140 Single stage

外形尺寸表

TD140單節* TD140 One Stage



TD140雙節* TD140 Two Stage



性能資料 Performance data

TD系列減速機能滿足壹些非常特殊的需求，高剛度、高性能和結構緊湊多變性是該產品最主要的特點，可任意搭配。

TD series reducers can meet some very special needs. High rigidity, high performance and compact structure are the most important features of this product.

TD140		單節 One Stage						雙節 Two Stage						
速比 Speed Ratio	i		4	5	7	10	20	25	35	40	50	70	100	
額定輸出力矩 Rated Output Torque	T ₁	Nm	560	650	550	450	560	650	550	560	650	550	450	
急停扭矩 Emergency Stop Torque	T ₂	Nm	T ₁ ×3						T ₁ ×3					
額定輸入轉速 Rated Input Speed	S ₁	rpm	3000						3000					
最大輸入轉速 Maximum Input Speed	S ₂	rpm	6000						6000					
最大輸出力矩 Maximum Output Torque	T ₄	Nm	T ₁ ×3×60%						T ₁ ×3×60%					
最大彎曲力 Maximum Bending Force	F _a	N	1300						1300					
最大軸向力 Maximum Axial Force	F _b	N	10590						10590					
扭轉剛性 Torsional Rigidity	-	Nm/arcmin	151						151					
效率 Effectiveness	β	%	≥97%						≥94%					
壽命 Life	-	h	20000h						20000h					
反饋噪音 Feedback Noise	-	dB	≤65dB						≤65dB					
重量 Weight	-	Kg	11.9						15.9					
回程間隙 Return Gap	P0		≤1						≤3					
	P1	arcmin	≤3						≤5					
	P2		≤5						≤7					
使用溫度 Operating Temperature	-	°C	-10°C-90°C						-10°C-90°C					
潤滑 Lubricating	-		合成油脂 Synthetic Grease						合成油脂 Synthetic Grease					
防護等級 Protection Level	-		IP65						IP65					
安裝方向 Installation Direction	-		任意方向 Any Direction						任意方向 Any Direction					
傳動慣量 Transmission Inertia	J	kg.cm ²	7.54	7.42	7.14	7.03	2.71			2.57				

依據說明:

- 變速比(i=S_{in}/S_{out})
- 結果輸出轉速100rpm時，作用於輸出軸中心。
- 連續運轉壽命10000h。
- 噪音值基於輸入轉速3000rpm, i=10所得。

According to the instructions:

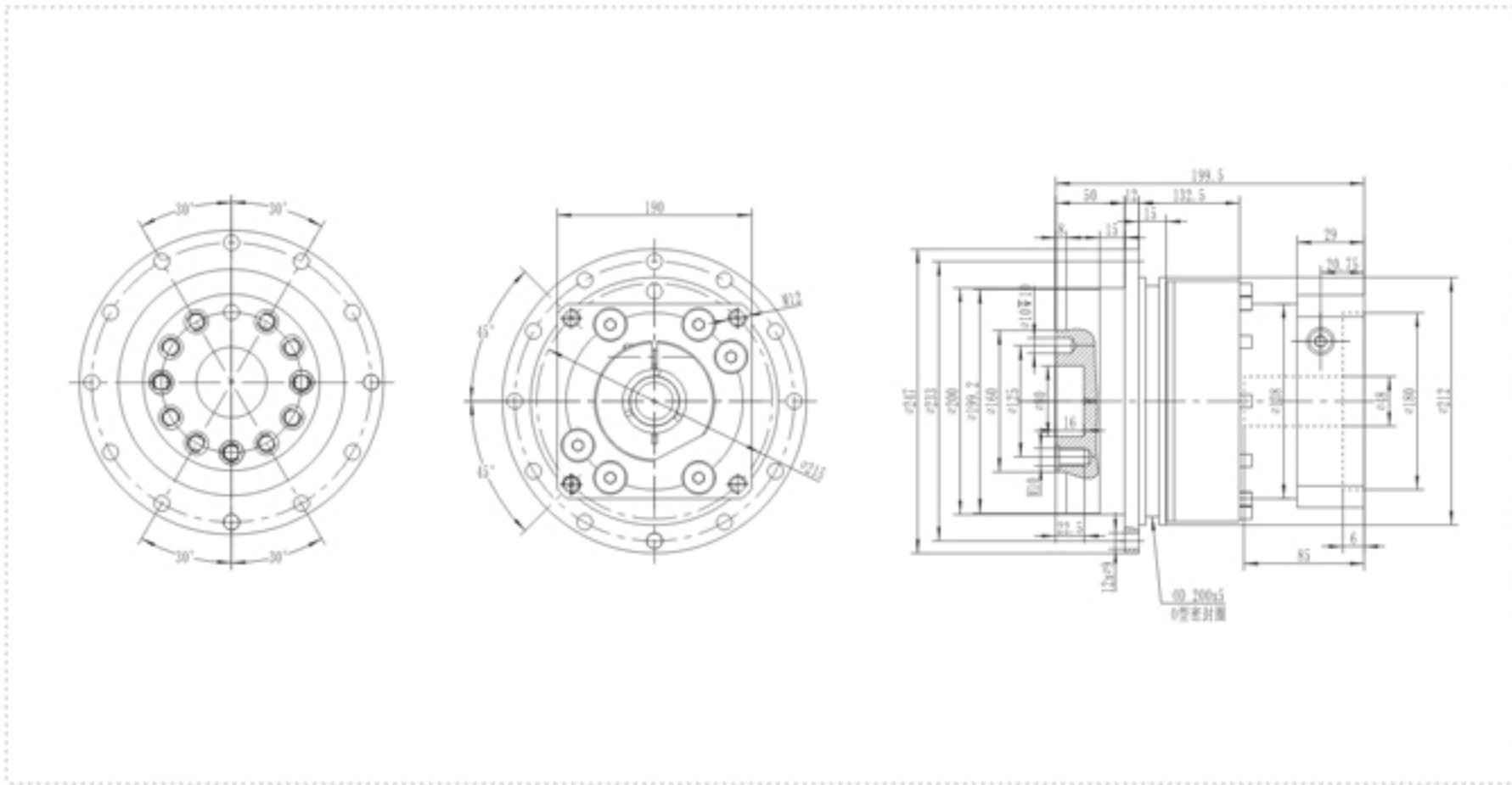
- Speed ratio (i=S_{in}/S_{out})
- As a result, when the output speed is 100 rpm, it acts on the center of the output shaft.
- Continuous operation life of 10000h.
- The noise value was obtained based on the input rotational speed of 3000 rpm, i=10.

此樣本中的所有產品型號及參數如有變更恕不另行通告，訂貨前請與本司確認。
All product models and parameters in this sample are subject to change without prior notice. Please confirm with the company before ordering.

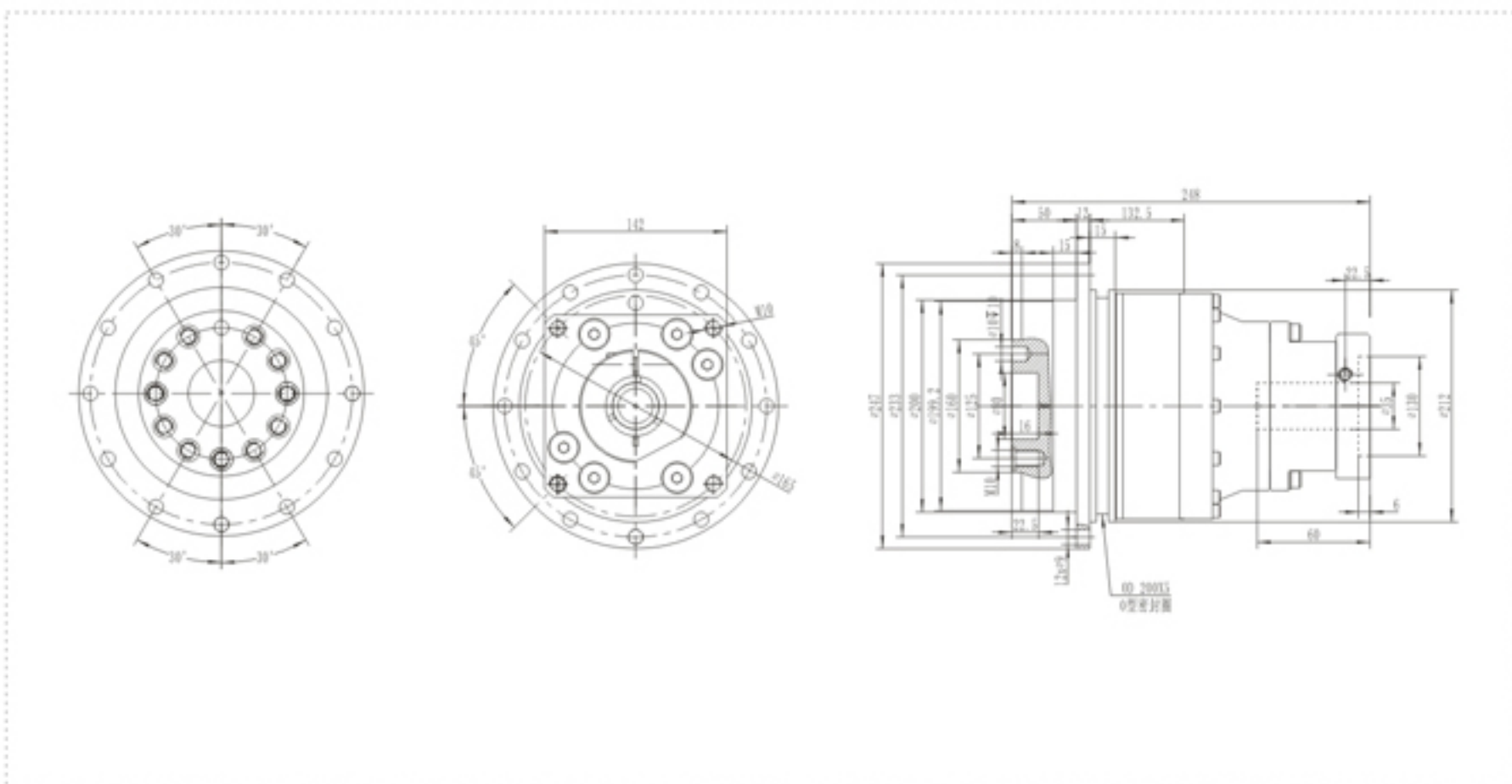
TD200系列* TD200 Single stage

外形尺寸表

TD200單節* TD200 One Stage



TD200雙節* TD200 Two Stage



性能資料 Performance data

TD系列減速機能滿足壹些非常特殊的需求，高剛度、高性能和結構緊湊多變性是該產品最主要的特點，可任意搭配。

TD series reducers can meet some very special needs. High rigidity, high performance and compact structure are the most important features of this product.

TD200		單節 One Stage						雙節 Two Stage						
		i	4	5	7	10	20	25	35	40	50	70	100	
速比 Speed Ratio														
額定輸出力矩 Rated Output Torque	T ₁	Nm	1100	1200	1100	900	1100	1200	1100	1100	1200	1100	900	
急停扭矩 Emergency Stop Torque	T ₂	Nm	T ₁ ×3						T ₁ ×3					
額定輸入轉速 Rated Input Speed	S ₁	rpm	3000						3000					
最大輸入轉速 Maximum Input Speed	S ₂	rpm	6000						6000					
最大輸出力矩 Maximum Output Torque	T ₄	Nm	T ₁ ×3×60%						T ₁ ×3×60%					
最大彎曲力 Maximum Bending Force	F _a	N	3064						3064					
最大軸向力 Maximum Axial Force	F _b	N	16660						16660					
扭轉剛性 Torsional Rigidity	-	Nm/arcmin	440						440					
效率 Effectiveness	β	%	≥97%						≥94%					
壽命 Life	-	h	20000h						20000h					
反饋噪音 Feedback Noise	-	dB	≤66dB						≤66dB					
重量 Weight	-	Kg	31.6						36.9					
回程間隙 Return Gap	P0		≤1						≤3					
	P1	arcmin	≤3						≤5					
	P2		≤5						≤7					
使用溫度 Operating Temperature	-	°C	-10°C-90°C						-10°C-90°C					
潤滑 Lubricating	-		合成油脂 Synthetic Grease						合成油脂 Synthetic Grease					
防護等級 Protection Level	-		IP65						IP65					
安裝方向 Installation Direction	-		任意方向 Any Direction						任意方向 Any Direction					
傳動慣量 Transmission Inertia	J	kg·cm ²	25	23.3	22.4	22.5	7.4	7						

依據說明:

- 變速比(i=S_{in}/S_{out})
- 結果輸出轉速100rpm時，作用於輸出軸中心。
- 連續運轉壽命10000h。
- 噪音值基於輸入轉速3000rpm, i=10所得。

According to the instructions:

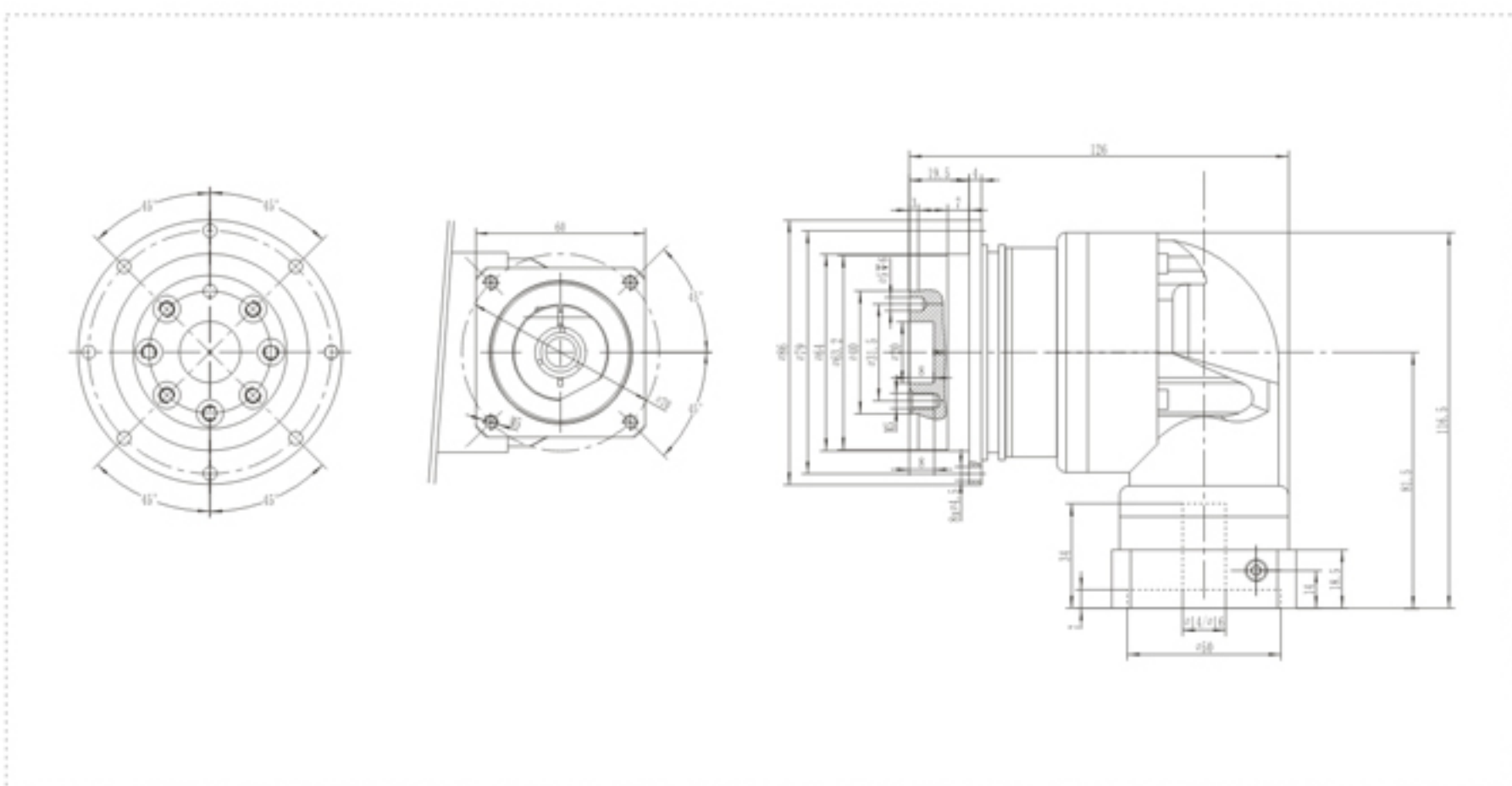
- Speed ratio (i=S_{in}/S_{out})
- As a result, when the output speed is 100 rpm, it acts on the center of the output shaft.
- Continuous operation life of 10000h.
- The noise value was obtained based on the input rotational speed of 3000 rpm, i=10.

此樣本中的所有產品型號及參數如有變更恕不另行通告，訂貨前請與本司確認。
All product models and parameters in this sample are subject to change without prior notice. Please confirm with the company before ordering.

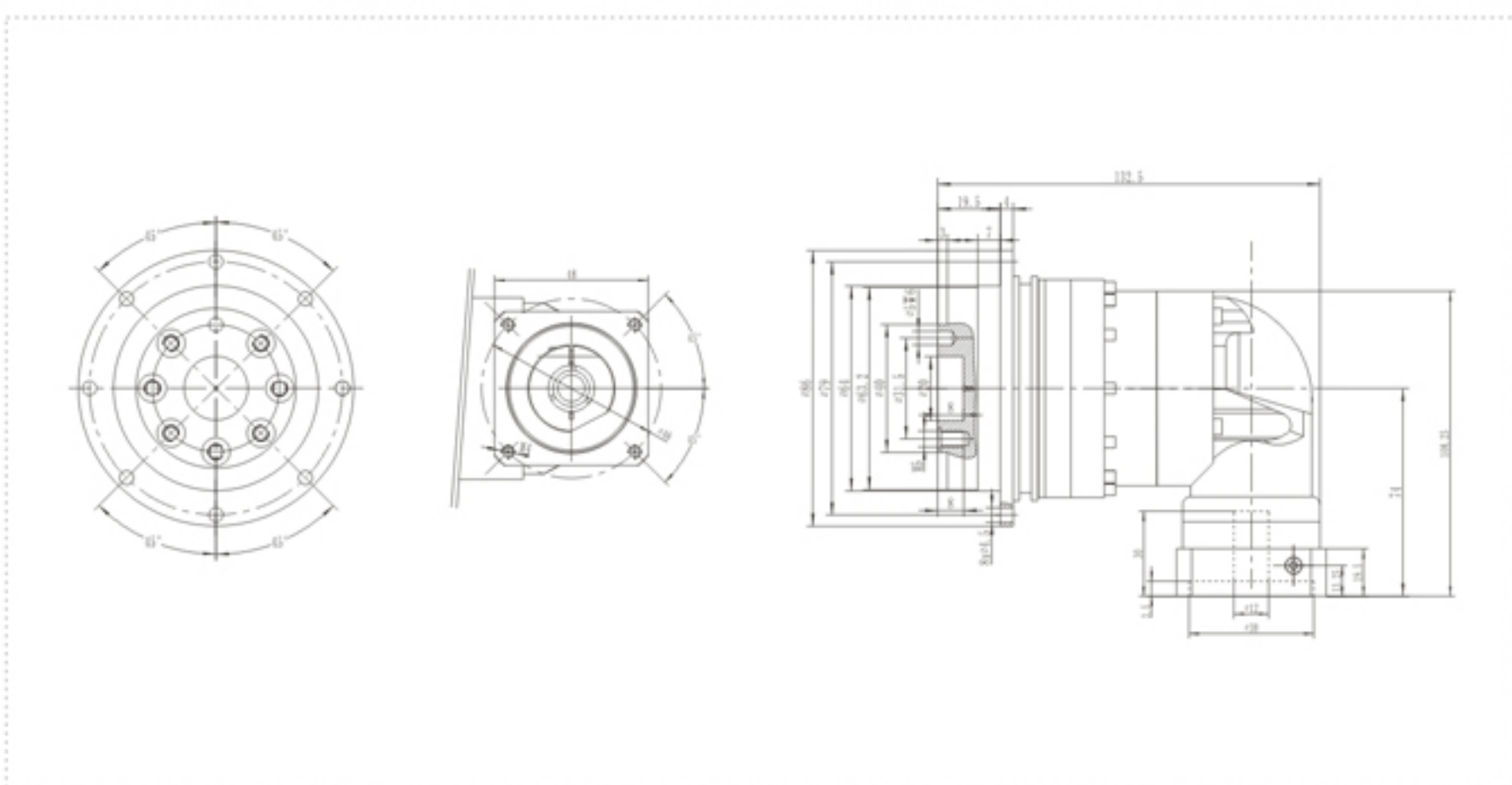
TDR064系列* TDR064 Single stage

外形尺寸表

TDR064單節* TDR064 One Stage



TDR064雙節* TDR064 Two Stage



性能資料 Performance data

TD系列減速機能滿足壹些非常特殊的需求，高剛度、高性能和結構緊湊多變性是該產品最主要的特點，可任意搭配。

TD series reducers can meet some very special needs. High rigidity, high performance and compact structure are the most important features of this product.

TDR064		單節 One Stage						雙節 Two Stage						
速比 Speed Ratio	i		4	5	7	10	20	25	35	40	50	70	100	
額定輸出力矩 Rated Output Torque	T ₁	Nm	48	60	50	60	-	60	50	48	60	50	40	
急停扭矩 Emergency Stop Torque	T ₂	Nm	T ₁ ×3						T ₁ ×3					
額定輸入轉速 Rated Input Speed	S ₁	rpm	5000						5000					
最大輸入轉速 Maximum Input Speed	S ₂	rpm	10000						10000					
最大輸出力矩 Maximum Output Torque	T ₄	Nm	T ₁ ×3×60%						T ₁ ×3×60%					
最大彎曲力 Maximum Bending Force	F _a	N	125						125					
最大軸向力 Maximum Axial Force	F _b	N	1050						1050					
扭轉剛性 Torsional Rigidity	-	Nm/arcmin	13						13					
效率 Effectiveness	β	%	≥95%						≥92%					
壽命 Life	-	h	30000h						30000h					
反饋噪音 Feedback Noise	-	dB	≤63dB						≤63dB					
重量 Weight	-	Kg	2.1						1.9					
回程間隙 Return Gap	P0		-						-					
	P1	arcmin	≤4						≤7					
	P2		≤6						≤9					
使用溫度 Operating Temperature	-	°C	-10°C-90°C						-10°C-90°C					
潤滑 Lubricating	-		合成油脂 Synthetic Grease						合成油脂 Synthetic Grease					
防護等級 Protection Level	-		IP65						IP65					
安裝方向 Installation Direction	-		任意方向 Any Direction						任意方向 Any Direction					
傳動慣量 Transmission Inertia	J	kg.cm ²	0.09						0.09					

依據說明:

- 變速比(i=S_{in}/S_{out})
- 結果輸出轉速100rpm時，作用於輸出軸中心。
- 連續運轉壽命10000h。
- 噪音值基於輸入轉速3000rpm, i=10所得。

According to the instructions:

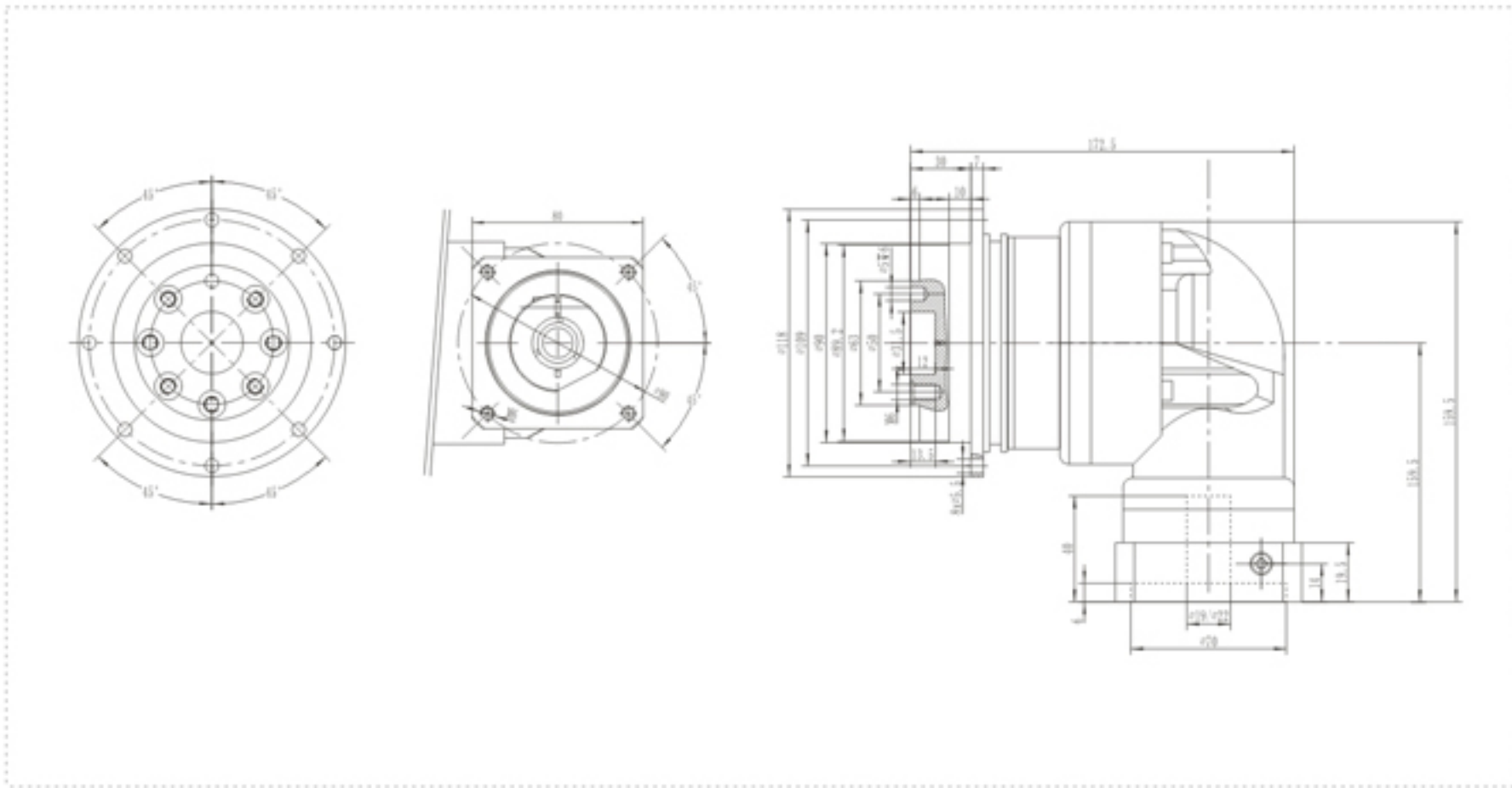
- Speed ratio (i=S_{in}/S_{out})
- As a result, when the output speed is 100 rpm, it acts on the center of the output shaft.
- Continuous operation life of 10000h.
- The noise value was obtained based on the input rotational speed of 3000 rpm, i=10.

此樣本中的所有產品型號及參數如有變更恕不另行通告，訂貨前請與本司確認。
All product models and parameters in this sample are subject to change without prior notice. Please confirm with the company before ordering.

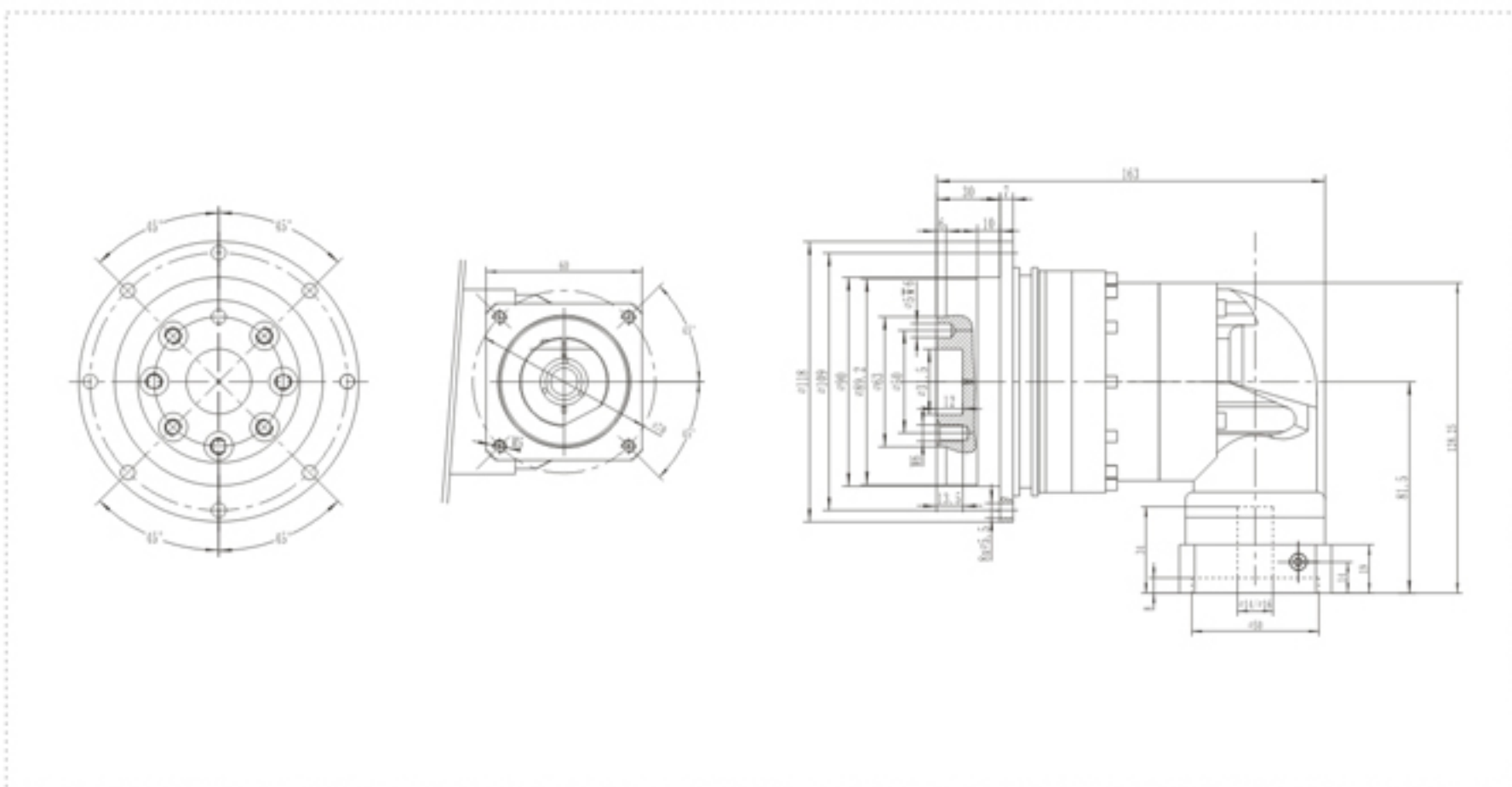
TDR090系列* TDR090 Single stage

外形尺寸表

TDR090單節* TDR090 One Stage



TDR090雙節* TDR090 Two Stage



性能資料 Performance data

TD系列減速機能滿足壹些非常特殊的需求，高剛度、高性能和結構緊湊多變性是該產品最主要的特點，可任意搭配。

TD series reducers can meet some very special needs. High rigidity, high performance and compact structure are the most important features of this product.

TDR090		單節 One Stage						雙節 Two Stage						
速比 Speed Ratio	i	4	5	7	10	20	25	35	40	50	70	100		
額定輸出力矩 Rated Output Torque	T ₁	Nm	130	160	140	100	130	160	140	130	160	140	100	
急停扭矩 Emergency Stop Torque	T ₂	Nm	T ₁ ×3						T ₁ ×3					
額定輸入轉速 Rated Input Speed	S ₁	rpm	4000						4000					
最大輸入轉速 Maximum Input Speed	S ₂	rpm	8000						8000					
最大輸出力矩 Maximum Output Torque	T ₄	Nm	T ₁ ×3×60%						T ₁ ×3×60%					
最大彎曲力 Maximum Bending Force	F _a	N	235						235					
最大軸向力 Maximum Axial Force	F _b	N	2850						2850					
扭轉剛性 Torsional Rigidity	-	Nm/arcmin	31						31					
效率 Effectiveness	β	%	≥95%						≥92%					
壽命 Life	-	h	30000h						30000h					
反饋噪音 Feedback Noise	-	dB	≤65dB						≤65dB					
重量 Weight	-	Kg	5.9						4.5					
回程間隙 Return Gap	P0		≤2						≤4					
	P1	arcmin	≤4						≤7					
	P2		≤6						≤9					
使用溫度 Operating Temperature	-	°C	-10°C-90°C						-10°C-90°C					
潤滑 Lubricating	-		合成油脂 Synthetic Grease						合成油脂 Synthetic Grease					
防護等級 Protection Level	-		IP65						IP65					
安裝方向 Installation Direction	-		任意方向 Any Direction						任意方向 Any Direction					
傳動慣量 Transmission Inertia	J	kg.cm ²	2.25						2.25					

依據說明:

- 變速比(i=S_{in}/S_{out})
- 結果輸出轉速100rpm時，作用於輸出軸中心。
- 連續運轉壽命10000h。
- 噪音值基於輸入轉速3000rpm, i=10所得。

According to the instructions:

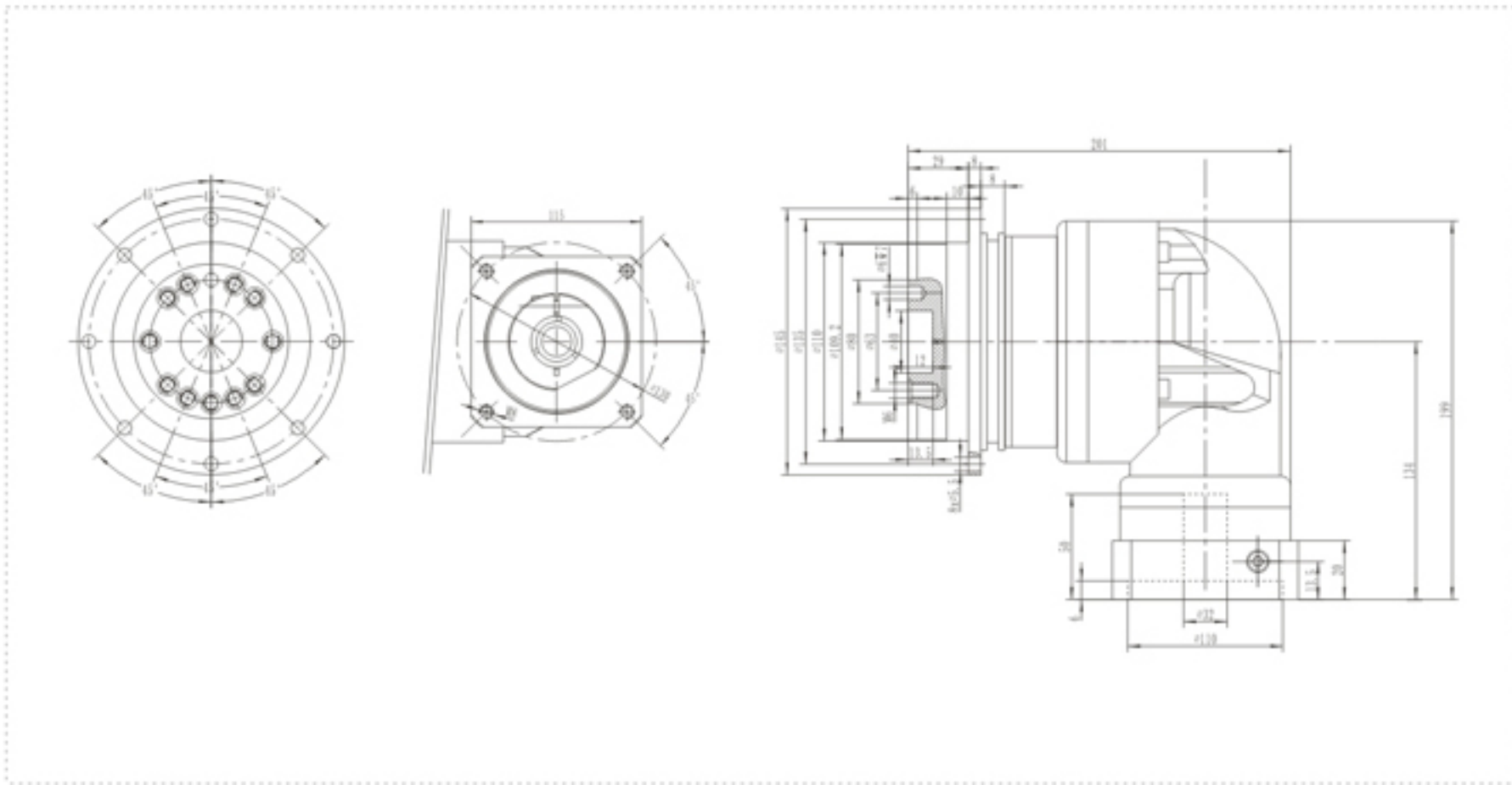
- Speed ratio (i=S_{in}/S_{out})
- As a result, when the output speed is 100 rpm, it acts on the center of the output shaft.
- Continuous operation life of 10000h.
- The noise value was obtained based on the input rotational speed of 3000 rpm, i=10.

此樣本中的所有產品型號及參數如有變更恕不另行通告，訂貨前請與本司確認。
All product models and parameters in this sample are subject to change without prior notice. Please confirm with the company before ordering.

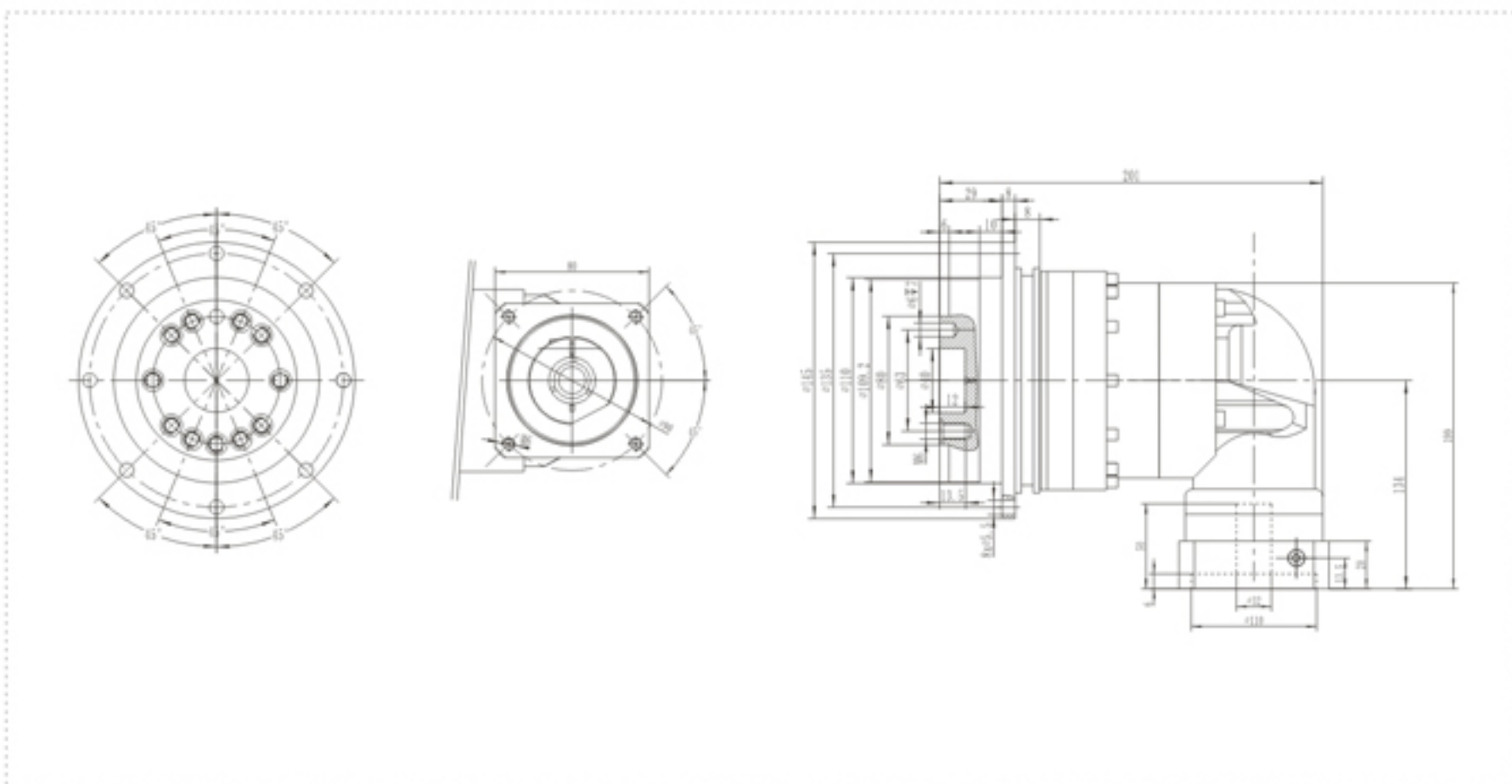
TDR110系列* TDR110 Single stage

外形尺寸表

TDR110單節* TDR110 One Stage



TDR110雙節* TDR110 Two Stage



性能資料 Performance data

TD系列減速機能滿足壹些非常特殊的需求，高剛度、高性能和結構緊湊多變性是該產品最主要的特點，可任意搭配。

TD series reducers can meet some very special needs. High rigidity, high performance and compact structure are the most important features of this product.

TDR110		單節 One Stage						雙節 Two Stage						
速比 Speed Ratio	i	4	5	7	10	20	25	35	40	50	70	100		
額定輸出力矩 Rated Output Torque	T ₁	Nm	270	330	300	230	270	330	300	270	330	300	230	
急停扭矩 Emergency Stop Torque	T ₂	Nm	T ₁ ×3						T ₁ ×3					
額定輸入轉速 Rated Input Speed	S ₁	rpm	4000						4000					
最大輸入轉速 Maximum Input Speed	S ₂	rpm	8000						8000					
最大輸出力矩 Maximum Output Torque	T ₄	Nm	T ₁ ×3×60%						T ₁ ×3×60%					
最大彎曲力 Maximum Bending Force	F _a	N	430						430					
最大軸向力 Maximum Axial Force	F _b	N	2990						2990					
扭轉剛性 Torsional Rigidity	-	Nm/arcmin	82						82					
效率 Effectiveness	β	%	≥95%						≥92%					
壽命 Life	-	h	30000h						30000h					
反饋噪音 Feedback Noise	-	dB	≤65dB						≤68dB					
重量 Weight	-	Kg	10.5						9.8					
回程間隙 Return Gap	P0		≤2						≤4					
	P1	arcmin	≤4						≤7					
	P2		≤6						≤9					
使用溫度 Operating Temperature	-	°C	-10°C-90°C						-10°C-90°C					
潤滑 Lubricating	-		合成油脂 Synthetic Grease						合成油脂 Synthetic Grease					
防護等級 Protection Level	-		IP65						IP65					
安裝方向 Installation Direction	-		任意方向 Any Direction						任意方向 Any Direction					
傳動慣量 Transmission Inertia	J	kg.cm ²	6.84						2.25					

依據說明:

- 變速比(i=S_{in}/S_{out})
- 結果輸出轉速100rpm時，作用於輸出軸中心。
- 連續運轉壽命10000h。
- 噪音值基於輸入轉速3000rpm, i=10所得。

According to the instructions:

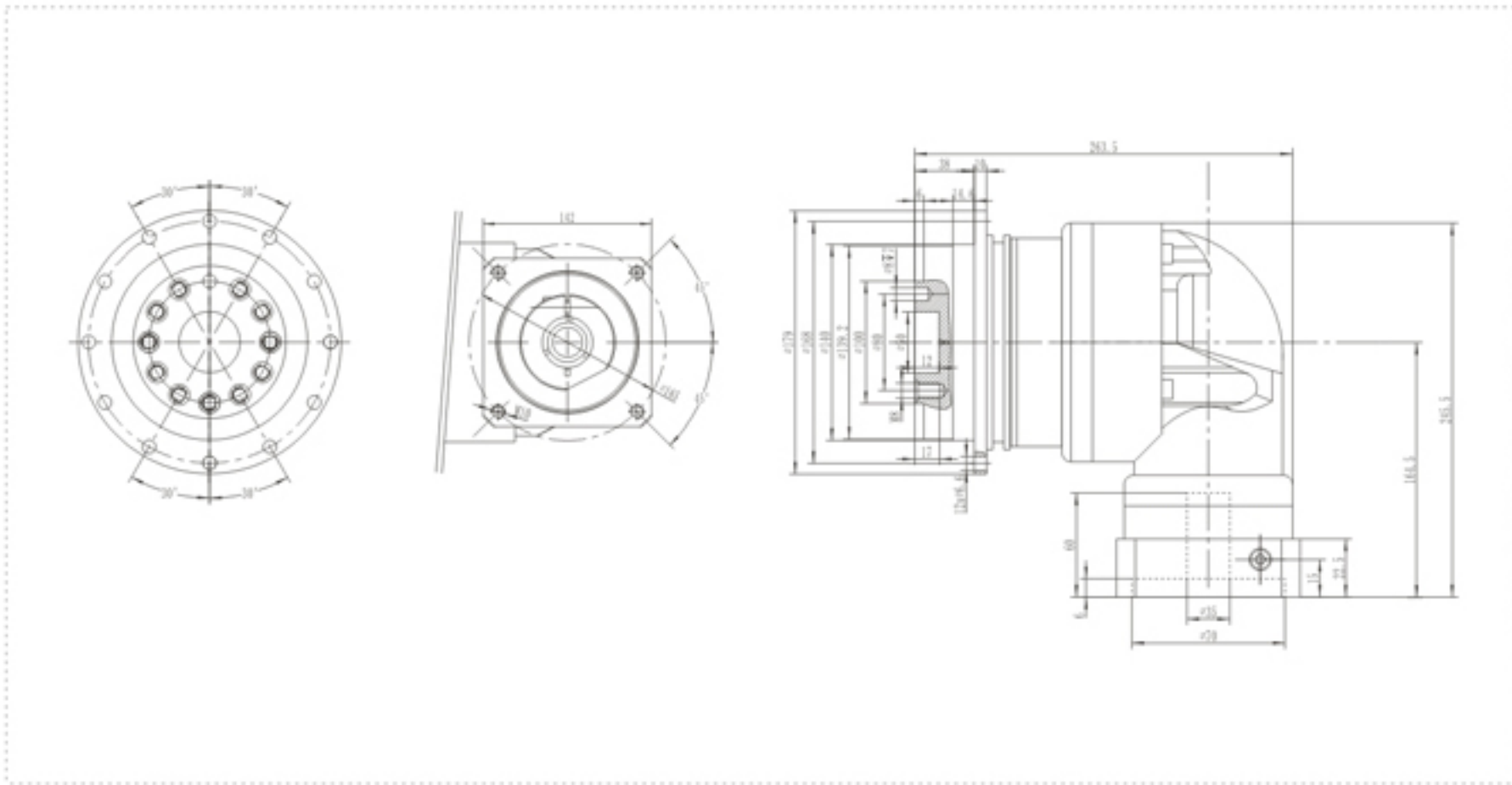
- Speed ratio (i=S_{in}/S_{out})
- As a result, when the output speed is 100 rpm, it acts on the center of the output shaft.
- Continuous operation life of 10000h.
- The noise value was obtained based on the input rotational speed of 3000 rpm, i=10.

此樣本中的所有產品型號及參數如有變更恕不另行通告，訂貨前請與本司確認。
All product models and parameters in this sample are subject to change without prior notice. Please confirm with the company before ordering.

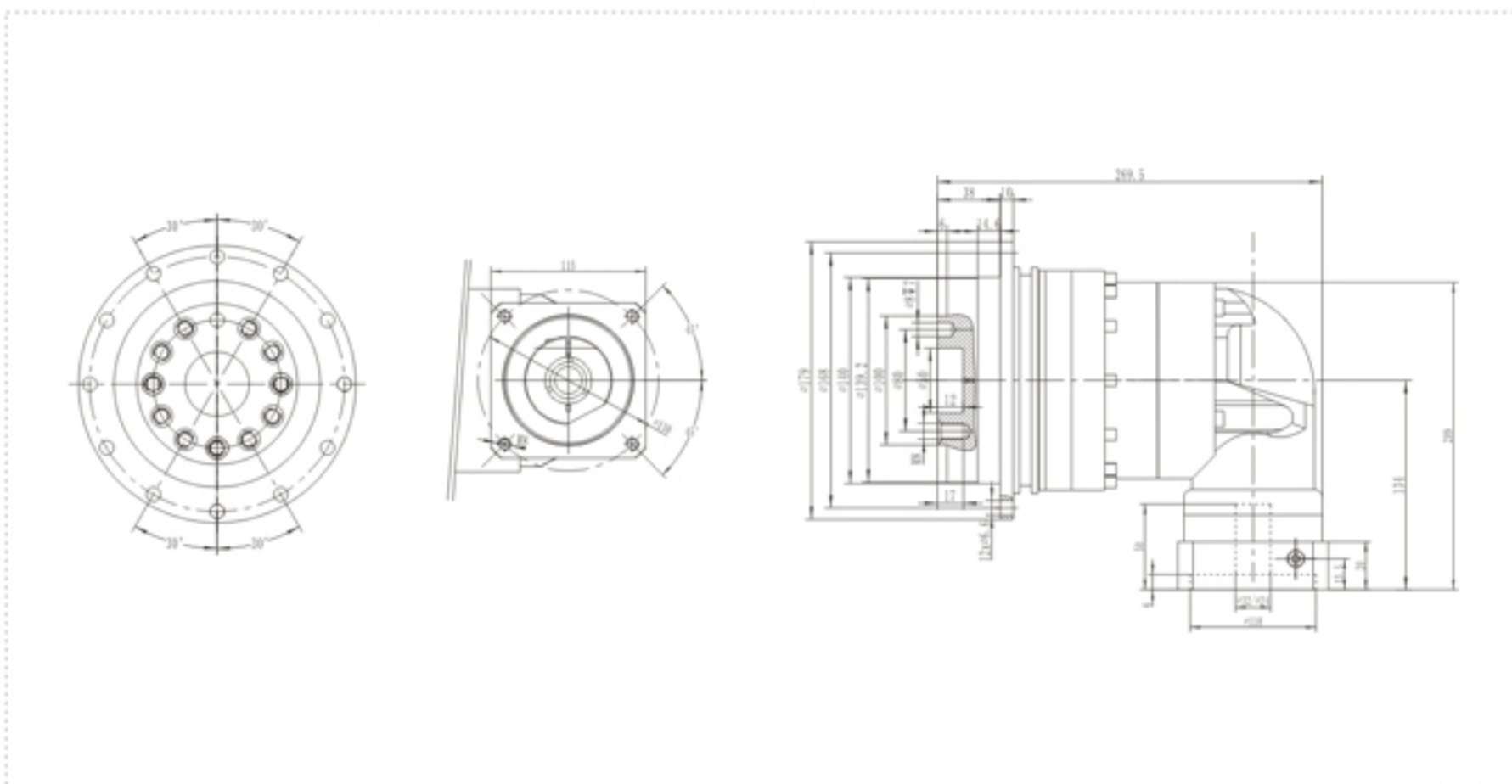
TDR140系列* TDR140 Single stage

外形尺寸表

TDR140單節* TDR140 One Stage



TDR140雙節* TDR140 Two Stage



性能資料 Performance data

TD系列減速機能滿足壹些非常特殊的需求，高剛度、高性能和結構緊湊多變性是該產品最主要的特點，可任意搭配。

TD series reducers can meet some very special needs. High rigidity, high performance and compact structure are the most important features of this product.

TDR140		單節 One Stage						雙節 Two Stage						
速比 Speed Ratio	i	4	5	7	10	20	25	35	40	50	70	100		
額定輸出力矩 Rated Output Torque	T ₁	Nm	560	650	550	450	560	650	550	560	650	550	450	
急停扭矩 Emergency Stop Torque	T ₂	Nm	T ₁ ×3						T ₁ ×3					
額定輸入轉速 Rated Input Speed	S ₁	rpm	3000						3000					
最大輸入轉速 Maximum Input Speed	S ₂	rpm	6000						6000					
最大輸出力矩 Maximum Output Torque	T ₄	Nm	T ₁ ×3×60%						T ₁ ×3×60%					
最大彎曲力 Maximum Bending Force	F _a	N	1300						1300					
最大軸向力 Maximum Axial Force	F _b	N	10590						10590					
扭轉剛性 Torsional Rigidity	-	Nm/arcmin	151						151					
效率 Effectiveness	β	%	≥95%						≥92%					
壽命 Life	-	h	30000h						30000h					
反饋噪音 Feedback Noise	-	dB	≤70dB						≤70dB					
重量 Weight	-	Kg	21.9						20.1					
回程間隙 Return Gap	P0		≤2						≤4					
	P1	arcmin	≤4						≤7					
	P2		≤6						≤9					
使用溫度 Operating Temperature	-	°C	-10°C-90°C						-10°C-90°C					
潤滑 Lubricating	-		合成油脂 Synthetic Grease						合成油脂 Synthetic Grease					
防護等級 Protection Level	-		IP65						IP65					
安裝方向 Installation Direction	-		任意方向 Any Direction						任意方向 Any Direction					
傳動慣量 Transmission Inertia	J	kg.cm ²	23.4						6.84					

依據說明:

- 變速比(i=S_{in}/S_{out})
- 結果輸出轉速100rpm時，作用於輸出軸中心。
- 連續運轉壽命10000h。
- 噪音值基於輸入轉速3000rpm, i=10所得。

According to the instructions:

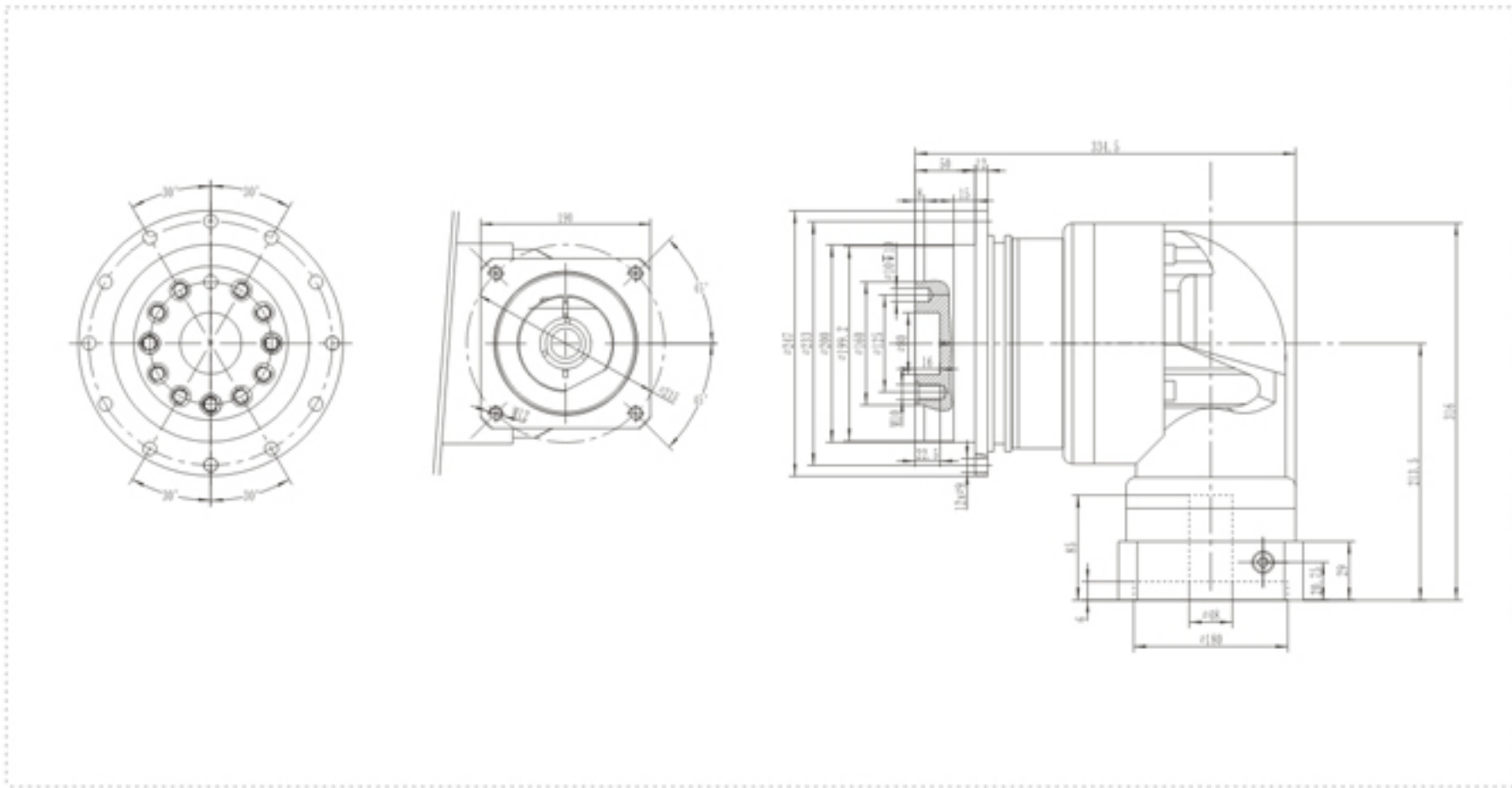
- Speed ratio (i=S_{in}/S_{out})
- As a result, when the output speed is 100 rpm, it acts on the center of the output shaft.
- Continuous operation life of 10000h.
- The noise value was obtained based on the input rotational speed of 3000 rpm, i=10.

此樣本中的所有產品型號及參數如有變更恕不另行通告，訂貨前請與本司確認。
All product models and parameters in this sample are subject to change without prior notice. Please confirm with the company before ordering.

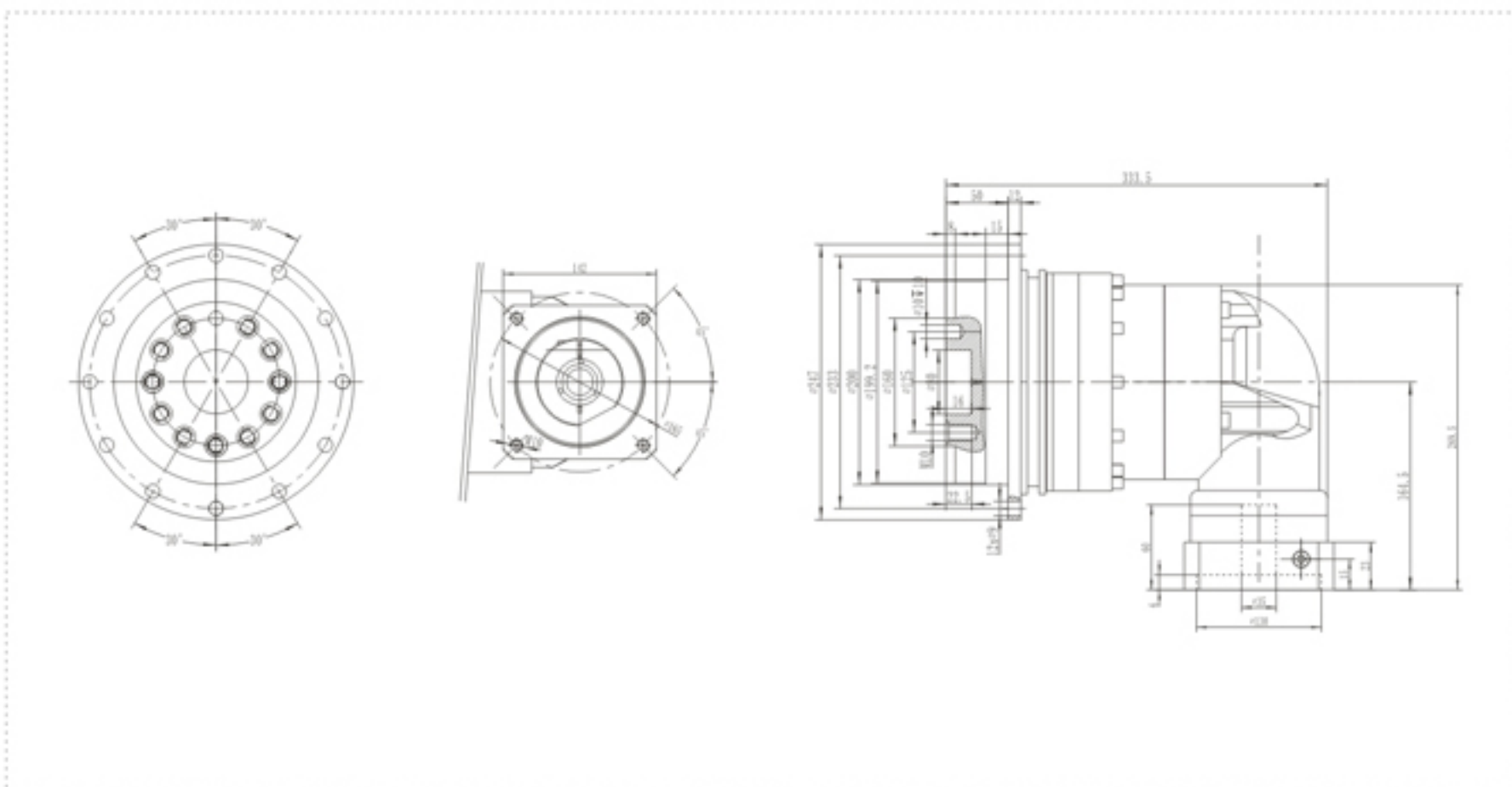
TDR200系列* TDR200 Single stage

外形尺寸表

TDR200單節* TDR200 One Stage



TDR200雙節* TDR200 Two Stage



性能資料 Performance data

TD系列減速機能滿足壹些非常特殊的需求，高剛度、高性能和結構緊湊多變性是該產品最主要的特點，可任意搭配。

TD series reducers can meet some very special needs. High rigidity, high performance and compact structure are the most important features of this product.

TDR200		單節 One Stage						雙節 Two Stage						
速比 Speed Ratio	i		4	5	7	10	20	25	35	40	50	70	100	
額定輸出力矩 Rated Output Torque	T ₁	Nm	1100	1200	1100	900	1100	1200	1100	1100	1200	1100	900	
急停扭矩 Emergency Stop Torque	T ₂	Nm	T ₁ ×3						T ₁ ×3					
額定輸入轉速 Rated Input Speed	S ₁	rpm	3000						3000					
最大輸入轉速 Maximum Input Speed	S ₂	rpm	6000						6000					
最大輸出力矩 Maximum Output Torque	T ₄	Nm	T ₁ ×3×60%						T ₁ ×3×60%					
最大彎曲力 Maximum Bending Force	F _a	N	3064						3064					
最大軸向力 Maximum Axial Force	F _b	N	16660						16660					
扭轉剛性 Torsional Rigidity	-	Nm/arcmin	440						440					
效率 Effectiveness	β	%	≥95%						≥92%					
壽命 Life	-	h	30000h						30000h					
反饋噪音 Feedback Noise	-	dB	≤72dB						≤72dB					
重量 Weight	-	Kg	50.9						45.4					
回程間隙 Return Gap	P0		≤2						≤4					
	P1	arcmin	≤4						≤7					
	P2		≤6						≤9					
使用溫度 Operating Temperature	-	°C	-10°C-90°C						-10°C-90°C					
潤滑 Lubricating	-		合成油脂 Synthetic Grease						合成油脂 Synthetic Grease					
防護等級 Protection Level	-		IP65						IP65					
安裝方向 Installation Direction	-		任意方向 Any Direction						任意方向 Any Direction					
傳動慣量 Transmission Inertia	J	kg.cm ²	68.9						23.4					

依據說明:

- 變速比(i=S_{in}/S_{out})
- 結果輸出轉速100rpm時，作用於輸出軸中心。
- 連續運轉壽命10000h。
- 噪音值基於輸入轉速3000rpm, i=10所得。

According to the instructions:

- Speed ratio (i=S_{in}/S_{out})
- As a result, when the output speed is 100 rpm, it acts on the center of the output shaft.
- Continuous operation life of 10000h.
- The noise value was obtained based on the input rotational speed of 3000 rpm, i=10.

此樣本中的所有產品型號及參數如有變更恕不另行通告，訂貨前請與本司確認。
All product models and parameters in this sample are subject to change without prior notice. Please confirm with the company before ordering.

精密行星減速機

Precision Planetary Reducer



其優勢在於：此款行星減速機即使在最高轉速時也能達到最高效率，十分適用於高標準的生產工況，壹款真正強效且價格合理的產品。

The advantage is that this planetary reducer achieves maximum efficiency even at the highest speeds, making it ideal for high-standard production conditions, a truly powerful and reasonably priced product.

TECHMECH DRIVES THE FUTURE

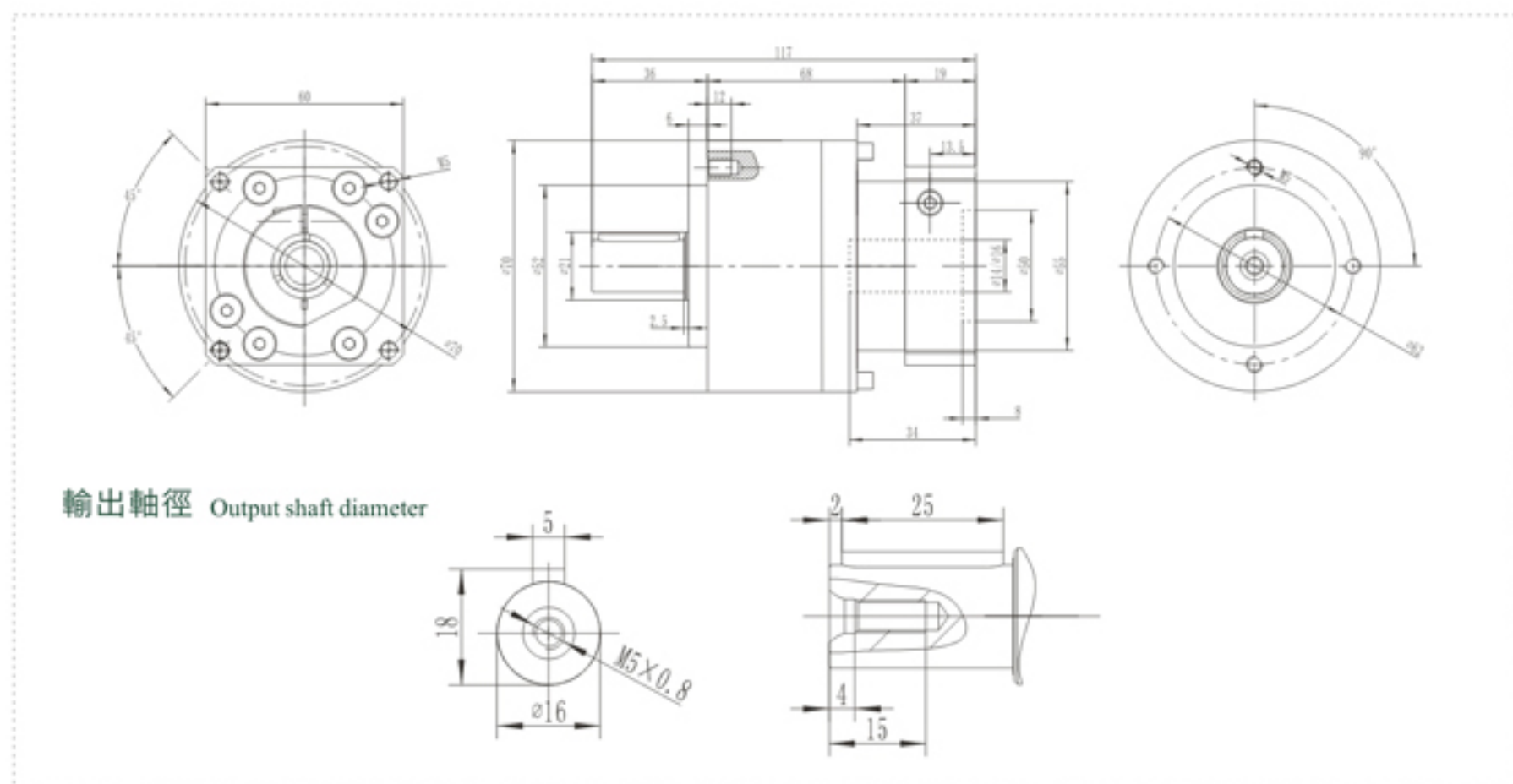
鈦科瑪格 傳動未來



TE070系列* TE070 Single stage

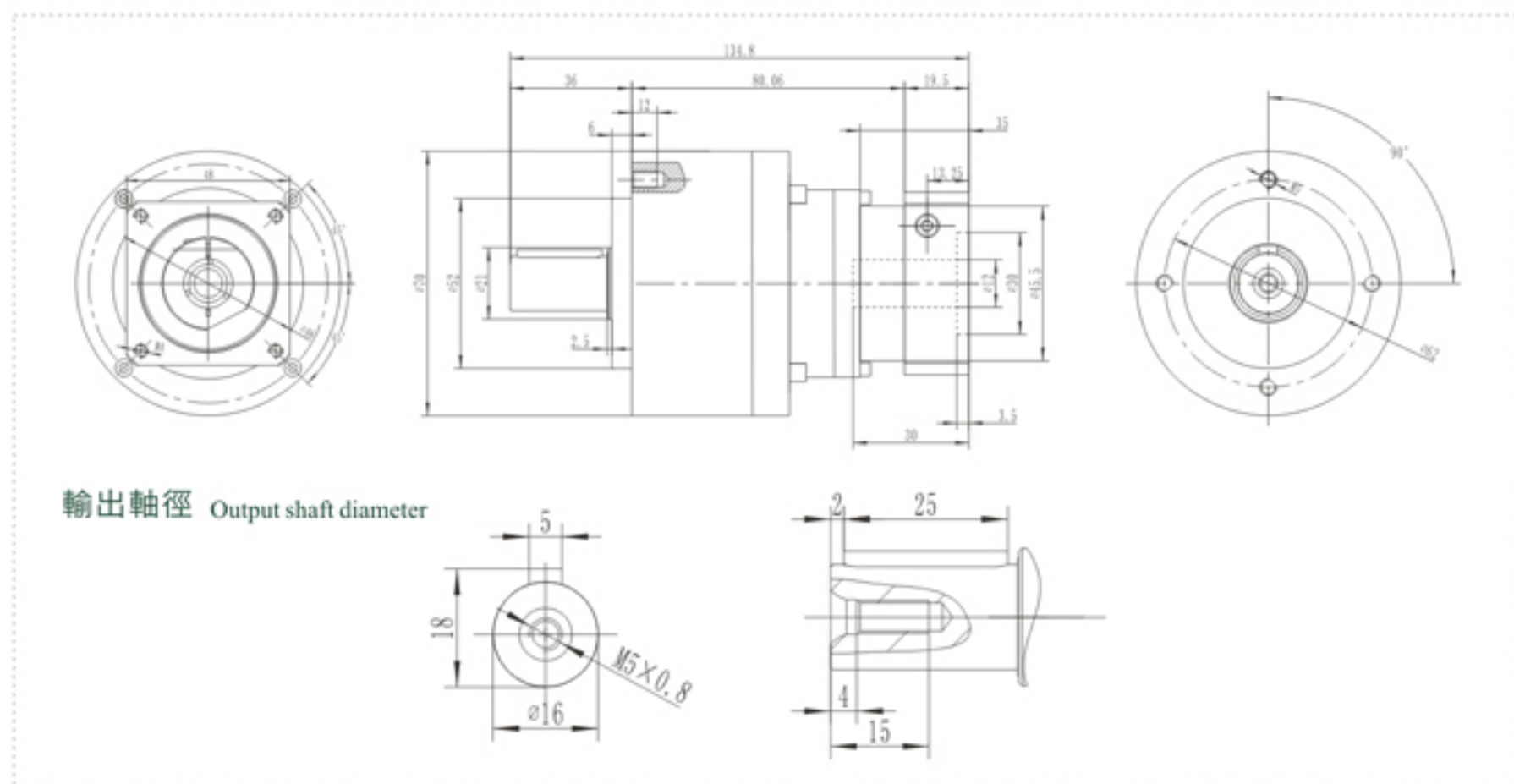
外形尺寸表

TE070單節* TE070 One Stage



輸出軸徑 Output shaft diameter

TE070雙節* TE070 Two Stage



輸出軸徑 Output shaft diameter

性能資料 Performance data

TE系列減速機憑標準化的法蘭接口，該行星減速機的安裝極其簡便，在性能上有所提升，它經濟實用，而且產生的熱量極少。

TE series Thanks to the standardized flange connection, the planetary reducer is extremely easy to install and has an improved performance. It is economical and produces very little heat.

TE070		單節 One Stage										雙節 Two Stage										
速比 Speed Ratio	i	3	4	5	6	7	8	10	15	20	25	30	35	40	50	60	70	80	100			
額定輸出力矩 Rated Output Torque	T_1	Nm	55	50	60	55	50	45	40	55	50	60	55	50	45	60	55	50	45	40		
急停扭矩 Emergency Stop Torque	T_2	Nm	$T_1 \times 3$										$T_1 \times 3$									
額定輸入轉速 Rated Input Speed	S_1	rpm	5000										5000									
最大輸入轉速 Maximum Input Speed	S_2	rpm	10000										10000									
最大輸出力矩 Maximum Output Torque	T_4	Nm	$T_1 \times 3 \times 60\%$										$T_1 \times 3 \times 60\%$									
最大徑向力 Maximum Radial Force	F_a	N	765										765									
最大軸向力 Maximum Axial Force	F_b	N	1377										1377									
扭轉剛性 Torsional Rigidity	-	Nm/arcmin	7										7									
效率 Effectiveness	β	%	≥97%										≥94%									
壽命 Life	-	h	20000h										20000h									
反饋噪音 Feedback Noise	-	dB	≤58dB										≤58dB									
重量 Weight	-	Kg	1.4										1.6									
回程間隙 Return Gap	P0	-	-										-									
	P1	arcmin	≤3										≤3									
	P2	arcmin	≤5										≤5									
使用溫度 Operating Temperature	-	°C	-10°C-90°C										-10°C-90°C									
潤滑 Lubricating	-		合成油脂 Synthetic Grease										合成油脂 Synthetic Grease									
防護等級 Protection Level	-		IP65										IP65									
安裝方向 Installation Direction	-		任意方向 Any Direction										任意方向 Any Direction									
傳動慣量 Transmission Inertia	J	kg·cm ²	0.16	0.14	0.13						0.03											

依據說明:

- 變速比($i=S_{in}/S_{out}$)
- 結果輸出轉速100rpm時，作用於輸出軸中心。
- 連續運轉壽命10000h。
- 噪音值基於輸入轉速3000rpm, $i=10$ 所得。

According to the instructions:

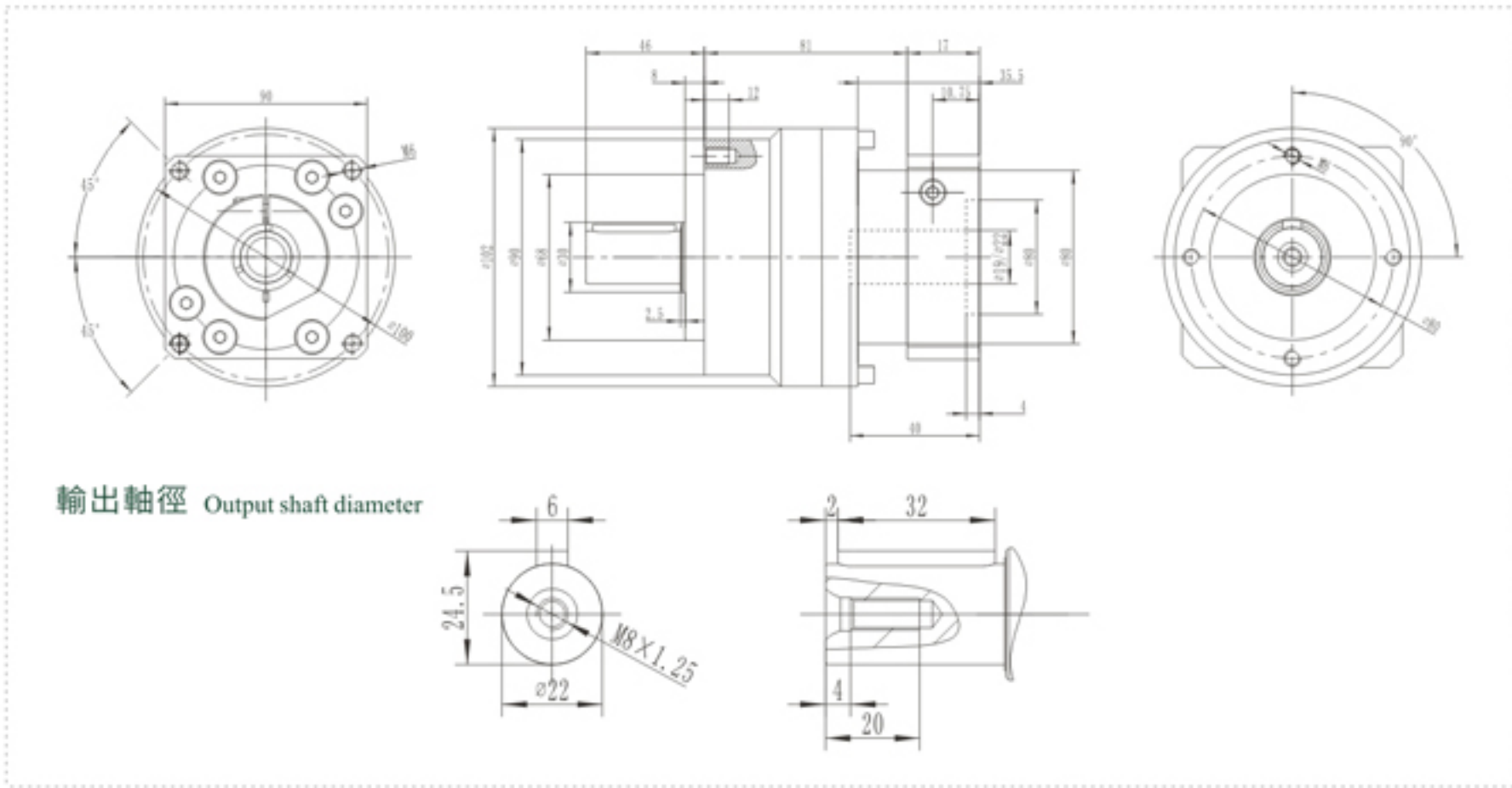
- Speed ratio ($i=S_{in}/S_{out}$)
- As a result, when the output speed is 100 rpm, it acts on the center of the output shaft.
- Continuous operation life of 10000h.
- The noise value was obtained based on the input rotational speed of 3000 rpm, $i=10$.

此樣本中的所有產品型號及參數如有變更恕不另行通告，訂貨前請與本司確認。
All product models and parameters in this sample are subject to change without prior notice. Please confirm with the company before ordering.

TE090系列* TE090 Single stage

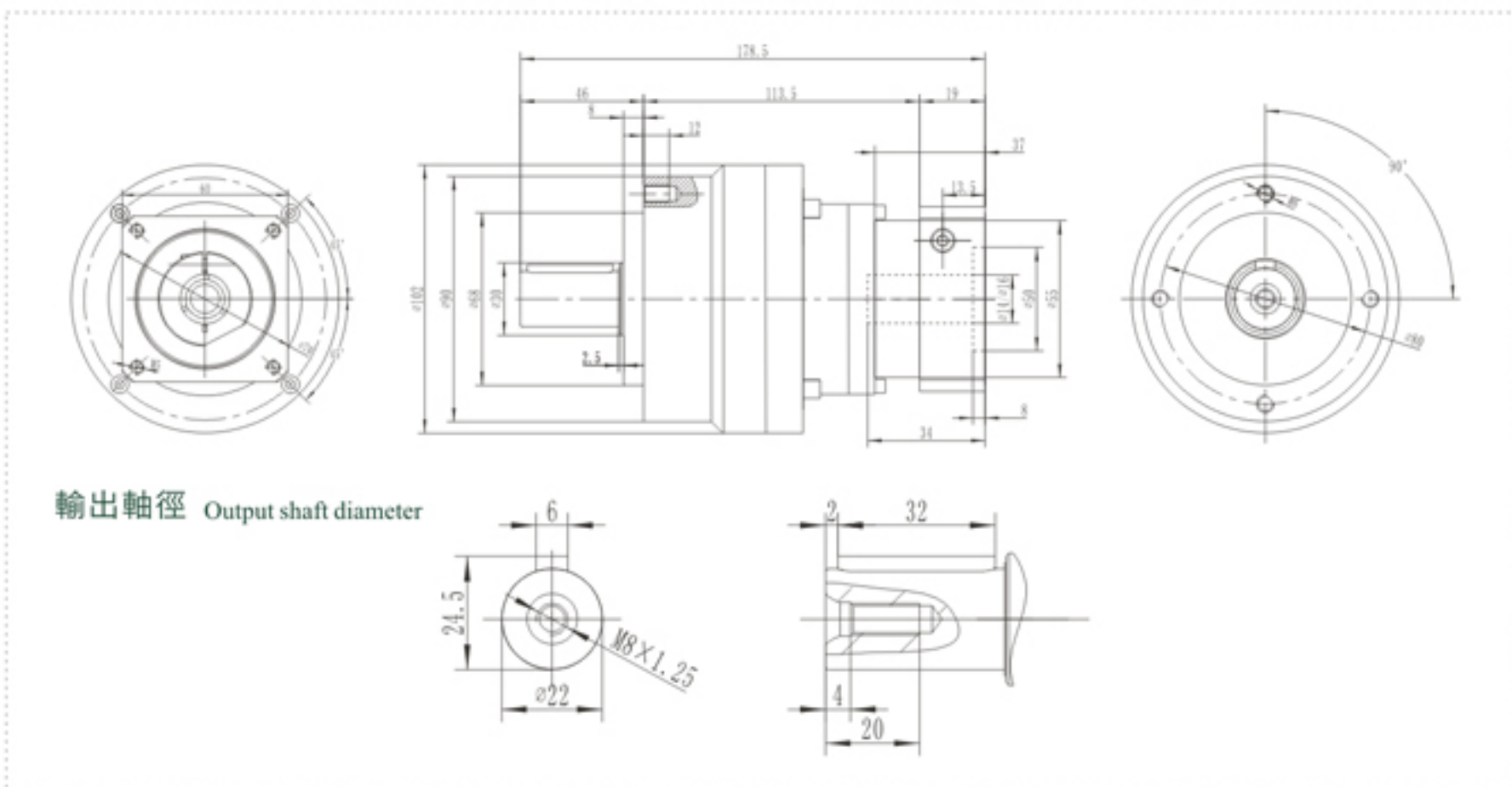
外形尺寸表

TE090單節* TE090 One Stage



輸出軸徑 Output shaft diameter

TE090雙節* TE090 Two Stage



輸出軸徑 Output shaft diameter

性能資料 Performance data

TE系列減速機憑借標準化的法蘭接口，該行星減速機的安裝極其簡便，在性能上有所提升，它經濟實用，而且產生的熱量極少。

TE series Thanks to the standardized flange connection, the planetary reducer is extremely easy to install and has an improved performance. It is economical and produces very little heat.

TE090		單節 One Stage										雙節 Two Stage										
速比 Speed Ratio	i	3	4	5	6	7	8	10	15	20	25	30	35	40	50	60	70	80	100			
額定輸出扭矩 Rated Output Torque	T ₁	Nm	130	140	160	150	140	120	100	130	140	160	150	140	120	160	150	140	120	100		
急停扭矩 Emergency Stop Torque	T ₂	Nm	T ₁ ×3										T ₁ ×3									
額定輸入轉速 Rated Input Speed	S ₁	rpm	4000										4000									
最大輸入轉速 Maximum Input Speed	S ₂	rpm	8000										8000									
最大輸出扭矩 Maximum Output Torque	T ₄	Nm	T ₁ ×3×60%										T ₁ ×3×60%									
最大徑向力 Maximum Radial Force	F _a	N	1625										1625									
最大軸向力 Maximum Axial Force	F _b	N	2985										2985									
扭轉剛性 Torsional Rigidity	-	Nm/arcmin	14										14									
效率 Effectiveness	β	%	≥97%										≥94%									
壽命 Life	-	h	20000h										20000h									
反饋噪音 Feedback Noise	-	dB	≤60dB										≤60dB									
重量 Weight	-	Kg	3.3										4.7									
回程間隙 Return Gap	P0	-	-										-									
	P1	arcmin	≤3										≤3									
	P2	-	≤5										≤5									
使用溫度 Operating Temperature	-	°C	-10°C-90°C										-10°C-90°C									
潤滑 Lubricating	-	-	合成油脂 Synthetic Grease										合成油脂 Synthetic Grease									
防護等級 Protection Level	-	-	IP65										IP65									
安裝方向 Installation Direction	-	-	任意方向 Any Direction										任意方向 Any Direction									
傳動慣量 Transmission Inertia	J	kg.cm ²	0.61	0.48	0.47	0.45	0.44											0.13				

依據說明:

- 變速比(i=S_{in}/S_{out})
- 結果輸出轉速100rpm時，作用於輸出軸中心。
- 連續運轉壽命10000h。
- 噪音值基於輸入轉速3000rpm, i=10所得。

According to the instructions:

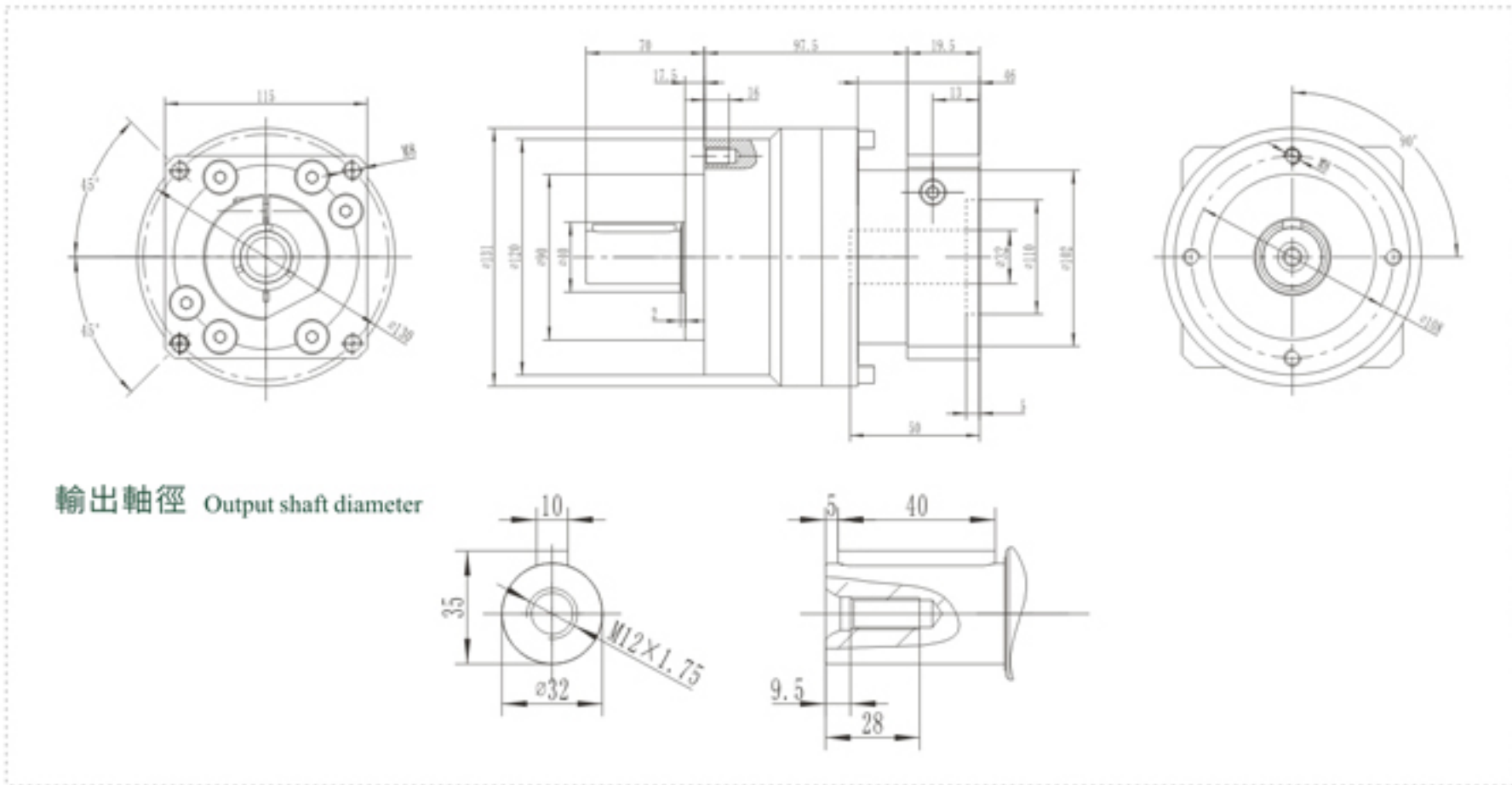
- Speed ratio (i=S_{in}/S_{out})
- As a result, when the output speed is 100 rpm, it acts on the center of the output shaft.
- Continuous operation life of 10000h.
- The noise value was obtained based on the input rotational speed of 3000 rpm, i=10.

此樣本中的所有產品型號及參數如有變更恕不另行通告，訂貨前請與本司確認。
All product models and parameters in this sample are subject to change without prior notice. Please confirm with the company before ordering.

TE120系列* TE120 Single stage

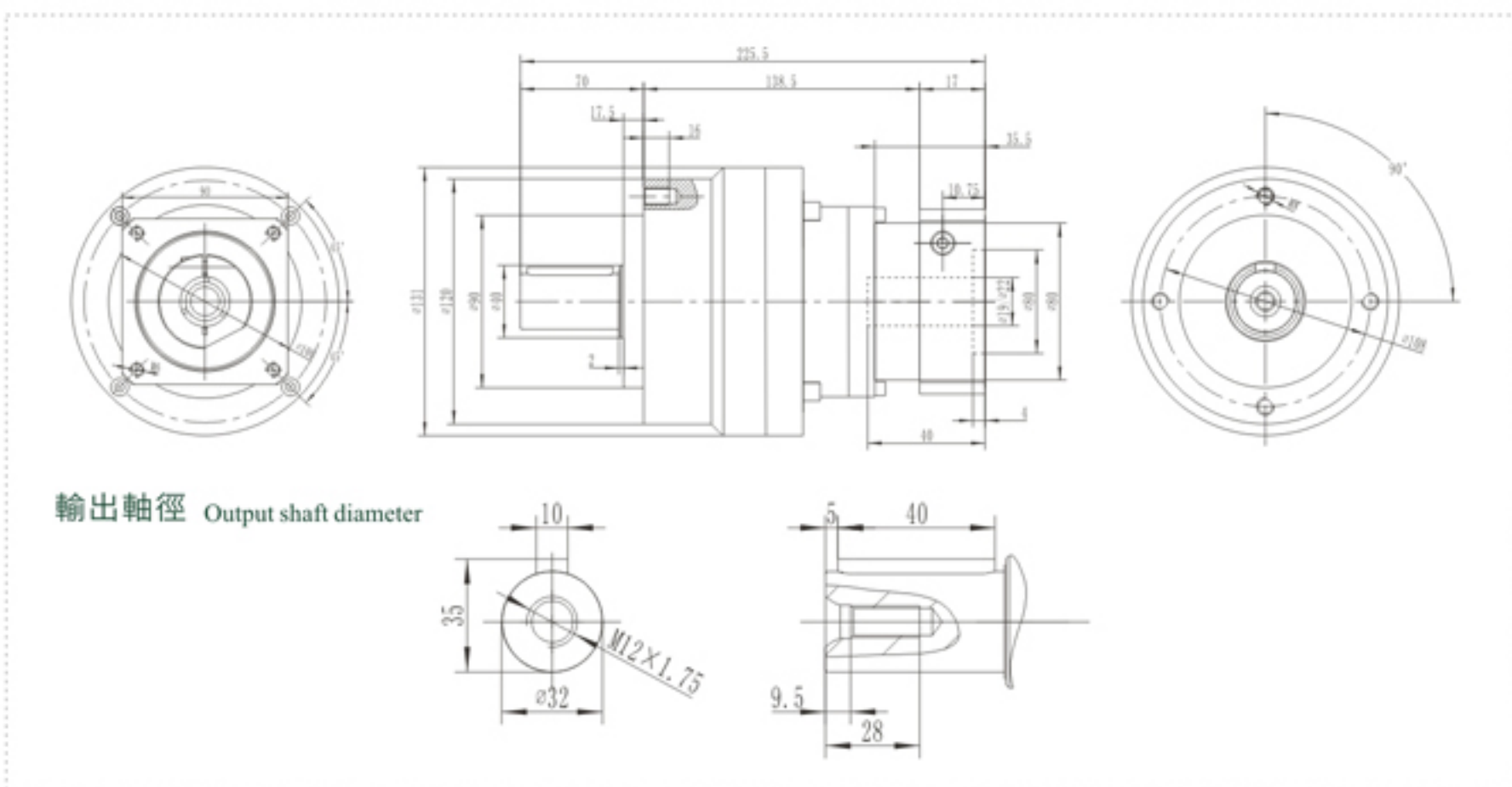
外形尺寸表

TE120單節* TE120 One Stage



輸出軸徑 Output shaft diameter

TE120雙節* TE120 Two Stage



輸出軸徑 Output shaft diameter

性能資料 Performance data

TE系列減速機憑借標準化的法蘭接口，該行星減速機的安裝極其簡便，在性能上有所提升，它經濟實用，而且產生的熱量極少。

TE series Thanks to the standardized flange connection, the planetary reducer is extremely easy to install and has an improved performance. It is economical and produces very little heat.

TE120		單節 One Stage										雙節 Two Stage																	
		i	3	4	5	6	7	8	10	15	20	25	30	35	40	50	60	70	80	100									
速比 Speed Ratio	i																												
額定輸出力矩 Rated Output Torque	T ₁	Nm	208	290	330	310	300	260	230	208	290	330	310	300	260	330	310	300	260	230									
急停扭矩 Emergency Stop Torque	T ₂	Nm	T ₁ × 3										T ₁ × 3																
額定輸入轉速 Rated Input Speed	S ₁	rpm	4000										4000																
最大輸入轉速 Maximum Input Speed	S ₂	rpm	8000										8000																
最大輸出力矩 Maximum Output Torque	T ₄	Nm	T ₁ × 3 × 60%										T ₁ × 3 × 60%																
最大徑向力 Maximum Radial Force	F _a	N	3350										3350																
最大軸向力 Maximum Axial Force	F _b	N	6100										6100																
扭轉剛性 Torsional Rigidity	-	Nm/arcmin	25										25																
效率 Effectiveness	β	%	≥97%										≥94%																
壽命 Life	-	h	20000h										20000h																
反饋噪音 Feedback Noise	-	dB	≤63dB										≤63dB																
重量 Weight	-	Kg	6.9										8.7																
回程間隙 Return Gap	P0		-										-																
	P1	arcmin	≤3										≤3																
	P2		≤5										≤5																
使用溫度 Operating Temperature	-	°C	-10°C-90°C										-10°C-90°C																
潤滑 Lubricating	-		合成油脂 Synthetic Grease										合成油脂 Synthetic Grease																
防護等級 Protection Level	-		IP65										IP65																
安裝方向 Installation Direction	-		任意方向 Any Direction										任意方向 Any Direction																
傳動慣量 Transmission Inertia	J	kg·cm ²	3.25	2.74	2.71	2.65	2.62	2.58	2.57	0.47										0.44									

依據說明:

- 變速比(i=S_{in}/S_{out})
- 結果輸出轉速100rpm時，作用於輸出軸中心。
- 連續運轉壽命10000h。
- 噪音值基於輸入轉速3000rpm, i=10所得。

According to the instructions:

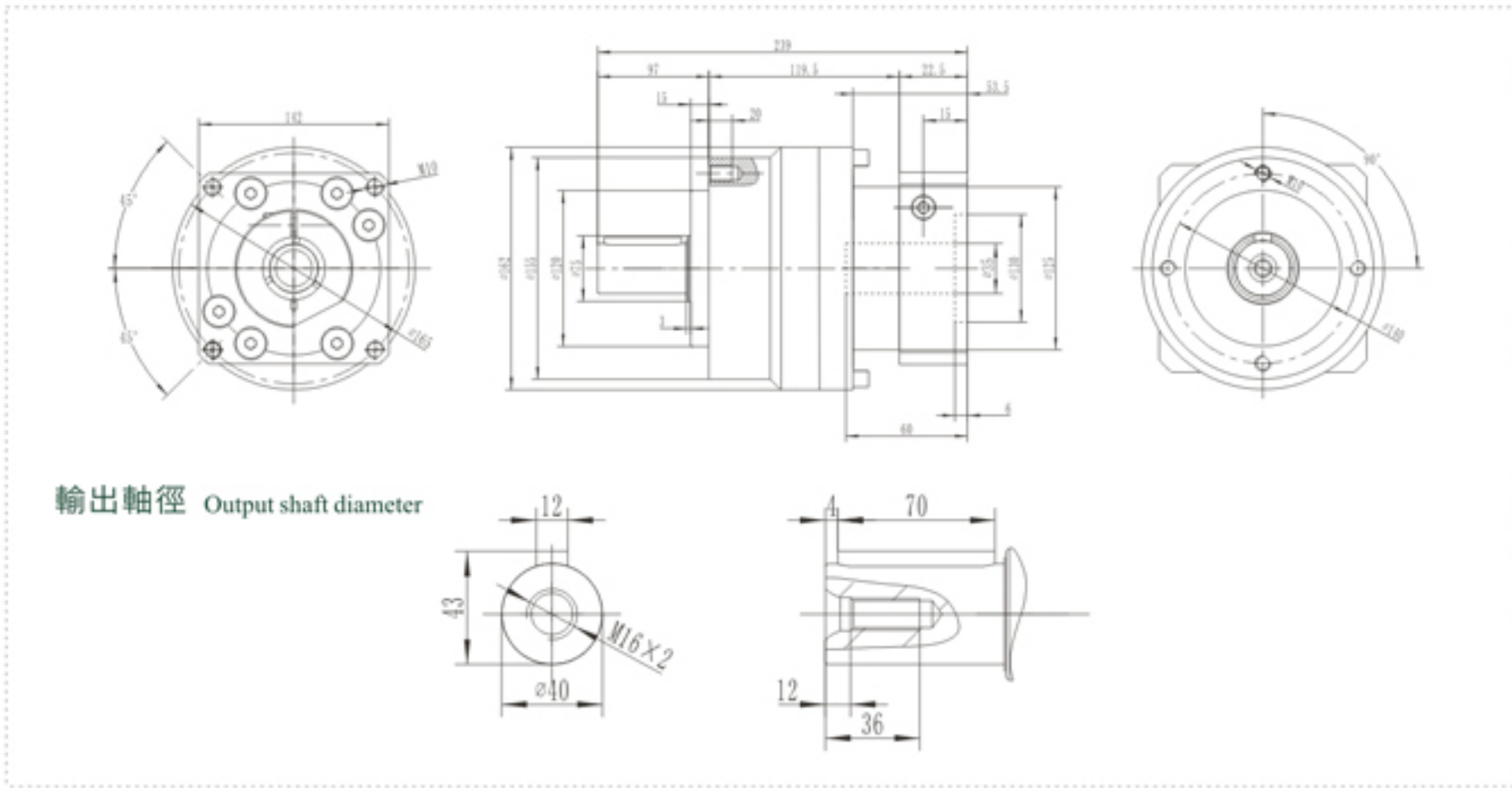
- Speed ratio (i=S_{in}/S_{out})
- As a result, when the output speed is 100 rpm, it acts on the center of the output shaft.
- Continuous operation life of 10000h.
- The noise value was obtained based on the input rotational speed of 3000 rpm, i=10.

此樣本中的所有產品型號及參數如有變更恕不另行通告，訂貨前請與本司確認。
All product models and parameters in this sample are subject to change without prior notice. Please confirm with the company before ordering.

TE155系列* TE155 Single stage

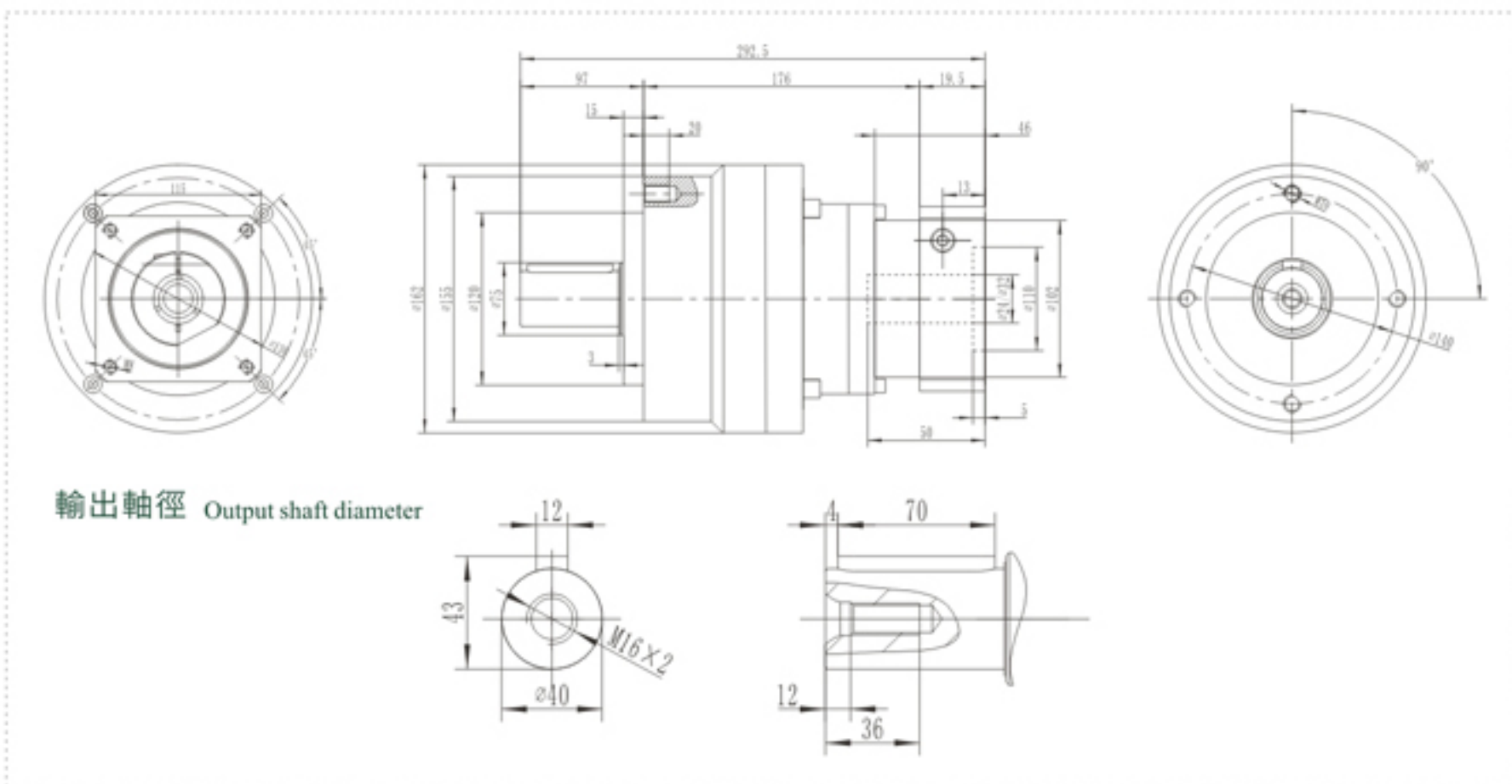
外形尺寸表

TE155單節* TE155 One Stage



輸出軸徑 Output shaft diameter

TE155雙節* TE155 Two Stage



輸出軸徑 Output shaft diameter

性能資料 Performance data

TE系列減速機憑借標準化的法蘭接口，該行星減速機的安裝極其簡便，在性能上有所提升，它經濟實用，而且產生的熱量極少。

TE series Thanks to the standardized flange connection, the planetary reducer is extremely easy to install and has an improved performance. It is economical and produces very little heat.

TE155		單節 One Stage										雙節 Two Stage										
速比 Speed Ratio	i	3	4	5	6	7	8	10	15	20	25	30	35	40	50	60	70	80	100			
額定輸出扭矩 Rated Output Torque	T ₁	Nm	342	542	650	600	550	500	450	342	542	650	600	550	500	650	600	550	500	450		
急停扭矩 Emergency Stop Torque	T ₂	Nm	T ₁ ×3										T ₁ ×3									
額定輸入轉速 Rated Input Speed	S ₁	rpm	3000										3000									
最大輸入轉速 Maximum Input Speed	S ₂	rpm	6000										6000									
最大輸出力矩 Maximum Output Torque	T ₄	Nm	T ₁ ×3×60%										T ₁ ×3×60%									
最大徑向力 Maximum Radial Force	F _a	N	4700										4700									
最大軸向力 Maximum Axial Force	F _b	N	8460										8460									
扭轉剛性 Torsional Rigidity	-	Nm/arcmin	50										50									
效率 Effectiveness	β	%	≥97%										≥94%									
壽命 Life	-	h	20000h										20000h									
反饋噪音 Feedback Noise	-	dB	≤65dB										≤65dB									
重量 Weight	-	Kg	13										17									
回程間隙 Return Gap	P0	-	-										-									
	P1	arcmin	≤3										≤3									
	P2	-	≤5										≤5									
使用溫度 Operating Temperature	-	°C	-10°C-90°C										-10°C-90°C									
潤滑 Lubricating	-	-	合成油脂 Synthetic Grease										合成油脂 Synthetic Grease									
防護等級 Protection Level	-	-	IP65										IP65									
安裝方向 Installation Direction	-	-	任意方向 Any Direction										任意方向 Any Direction									
傳動慣量 Transmission Inertia	J	kg·cm ²	921	754	742	725	714	707	703	2.71					2.57							

依據說明:

- 變速比(i=S_{in}/S_{out})
- 結果輸出轉速100rpm時，作用於輸出軸中心。
- 連續運轉壽命10000h。
- 噪音值基於輸入轉速3000rpm, i=10所得。

According to the instructions:

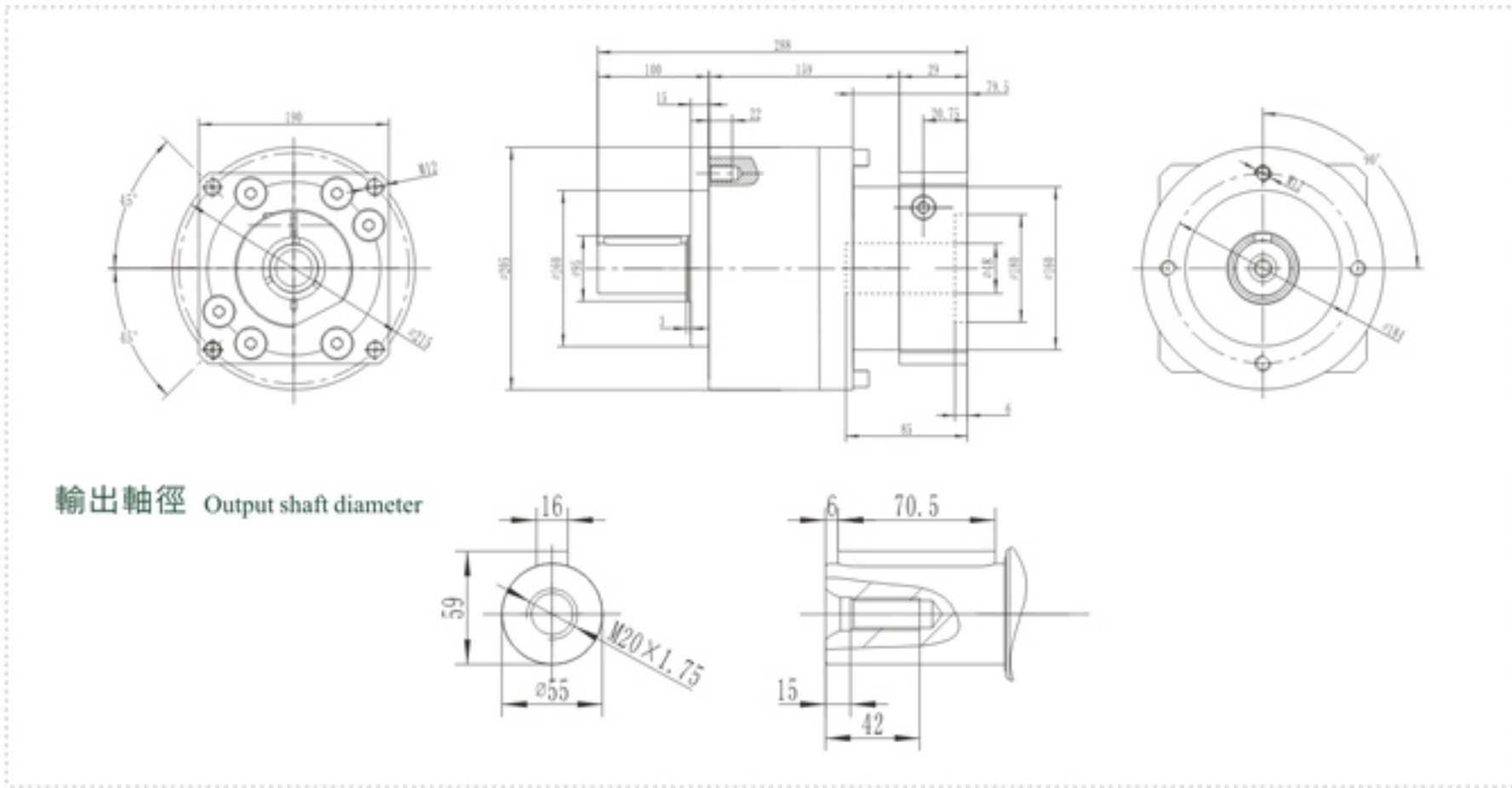
- Speed ratio (i=S_{in}/S_{out})
- As a result, when the output speed is 100 rpm, it acts on the center of the output shaft.
- Continuous operation life of 10000h.
- The noise value was obtained based on the input rotational speed of 3000 rpm, i=10.

此樣本中的所有產品型號及參數如有變更恕不另行通告，訂貨前請與本司確認。
All product models and parameters in this sample are subject to change without prior notice. Please confirm with the company before ordering.

TE205系列* TE205 Single stage

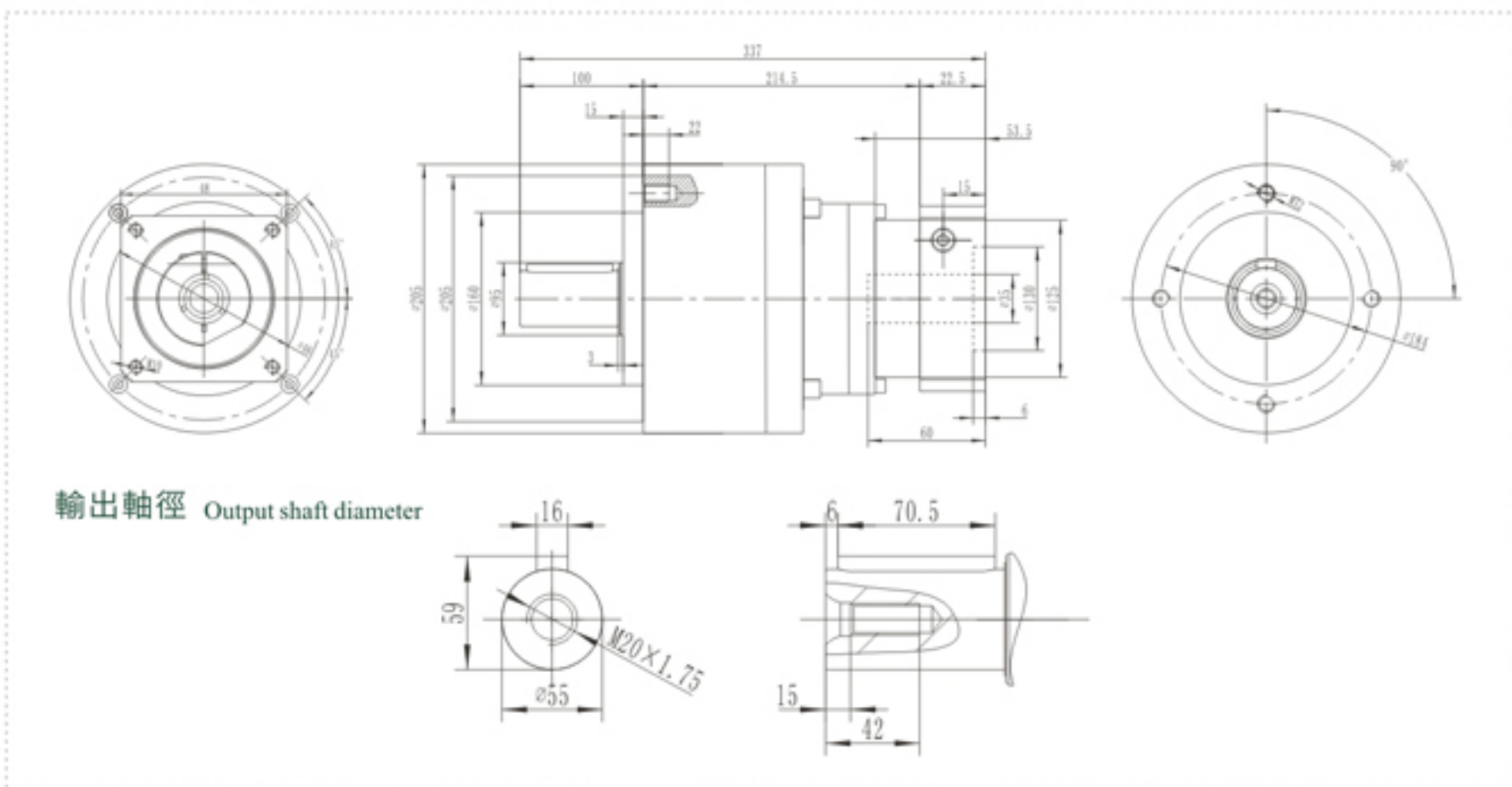
外形尺寸表

TE205單節* TE205 One Stage



輸出軸徑 Output shaft diameter

TE205雙節* TE205 Two Stage



輸出軸徑 Output shaft diameter

性能資料 Performance data

TE系列減速機憑借標準化的法蘭接口，該行星減速機的安裝極其簡便，在性能上有所提升，它經濟實用，而且產生的熱量極少。

TE series Thanks to the standardized flange connection, the planetary reducer is extremely easy to install and has an improved performance. It is economical and produces very little heat.

TE205		單節 One Stage	雙節 Two Stage																			
			i	3	4	5	6	7	8	10	15	20	25	30	35	40	50	60	70	80	100	
速比 Speed Ratio	i																					
額定輸出力矩 Rated Output Torque	T ₁	Nm	588	1050	1200	1100	1100	1000	900	588	1050	1200	1100	1100	1000	1200	1100	1100	1000	900		
急停扭矩 Emergency Stop Torque	T ₂	Nm	T ₁ × 3										T ₁ × 3									
額定輸入轉速 Rated Input Speed	S ₁	rpm	3000										3000									
最大輸入轉速 Maximum Input Speed	S ₂	rpm	6000										6000									
最大輸出力矩 Maximum Output Torque	T ₄	Nm	T ₁ × 3 × 60%										T ₁ × 3 × 60%									
最大徑向力 Maximum Radial Force	F _a	N	7250										7250									
最大軸向力 Maximum Axial Force	F _b	N	13050										13050									
扭轉剛性 Torsional Rigidity	-	Nm/arcmin	145										145									
效率 Effectiveness	β	%	≥97%										≥94%									
壽命 Life	-	h	20000h										20000h									
反饋噪音 Feedback Noise	-	dB	≤67dB										≤67dB									
重量 Weight	-	Kg	31										35									
回程間隙 Return Gap	P0		-										-									
	P1	arcmin	≤3										≤3									
	P2		≤5										≤5									
使用溫度 Operating Temperature	-	°C	-10°C-90°C										-10°C-90°C									
潤滑 Lubricating	-		合成油脂 Synthetic Grease										合成油脂 Synthetic Grease									
防護等級 Protection Level	-		IP65										IP65									
安裝方向 Installation Direction	-		任意方向 Any Direction										任意方向 Any Direction									
傳動慣量 Transmission Inertia	J	kg·cm ²	2898	2367	2329	2275	2248	2259	2251							7.42						7.03

依據說明:

- 變速比(i=S_{in}/S_{out})
- 結果輸出轉速100rpm時，作用於輸出軸中心。
- 連續運轉壽命10000h。
- 噪音值基於輸入轉速3000rpm, i=10所得。

According to the instructions:

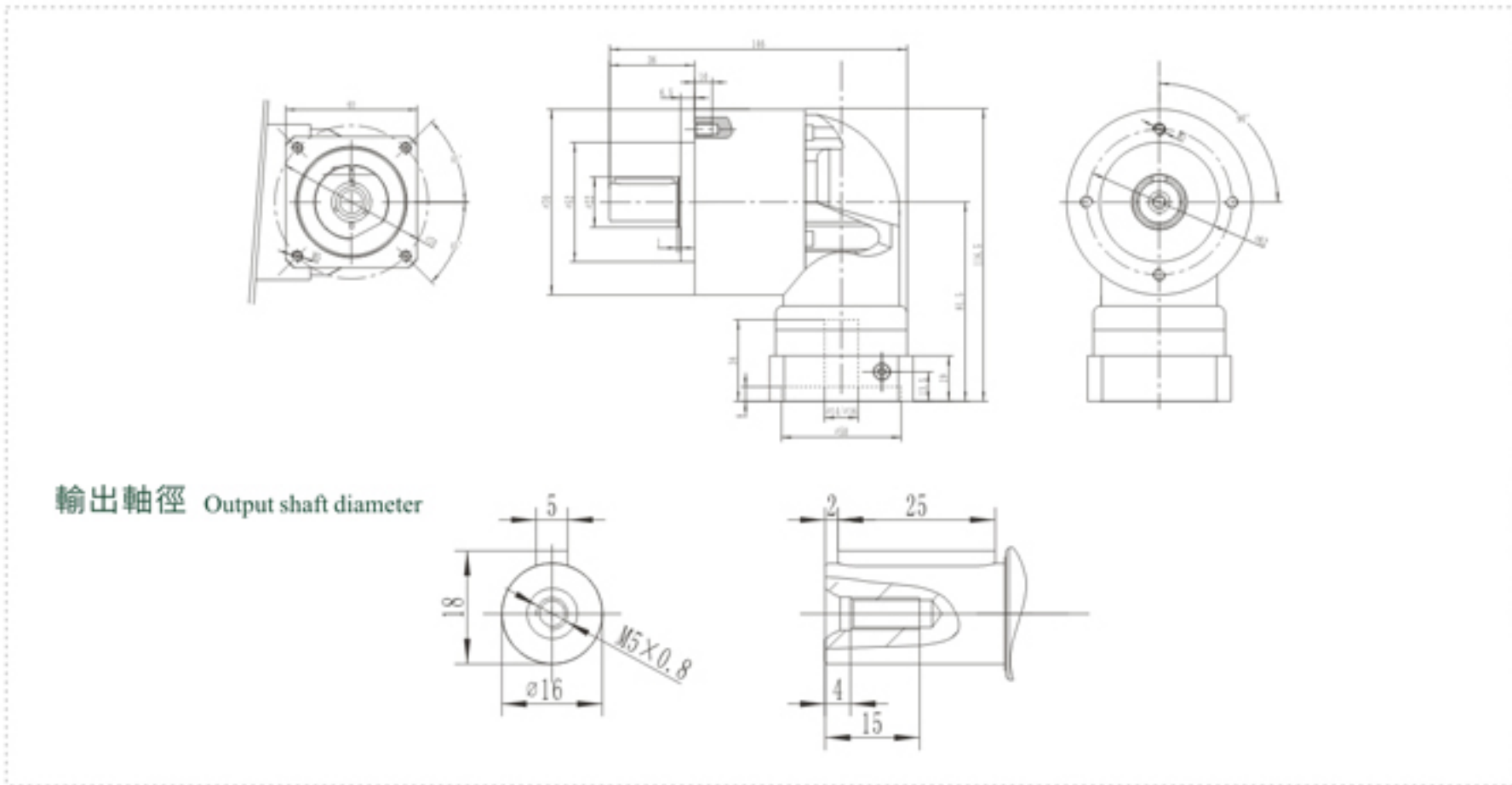
- Speed ratio (i=S_{in}/S_{out})
- As a result, when the output speed is 100 rpm, it acts on the center of the output shaft.
- Continuous operation life of 10000h.
- The noise value was obtained based on the input rotational speed of 3000 rpm, i=10.

此樣本中的所有產品型號及參數如有變更恕不另行通告，訂貨前請與本司確認。
All product models and parameters in this sample are subject to change without prior notice. Please confirm with the company before ordering.

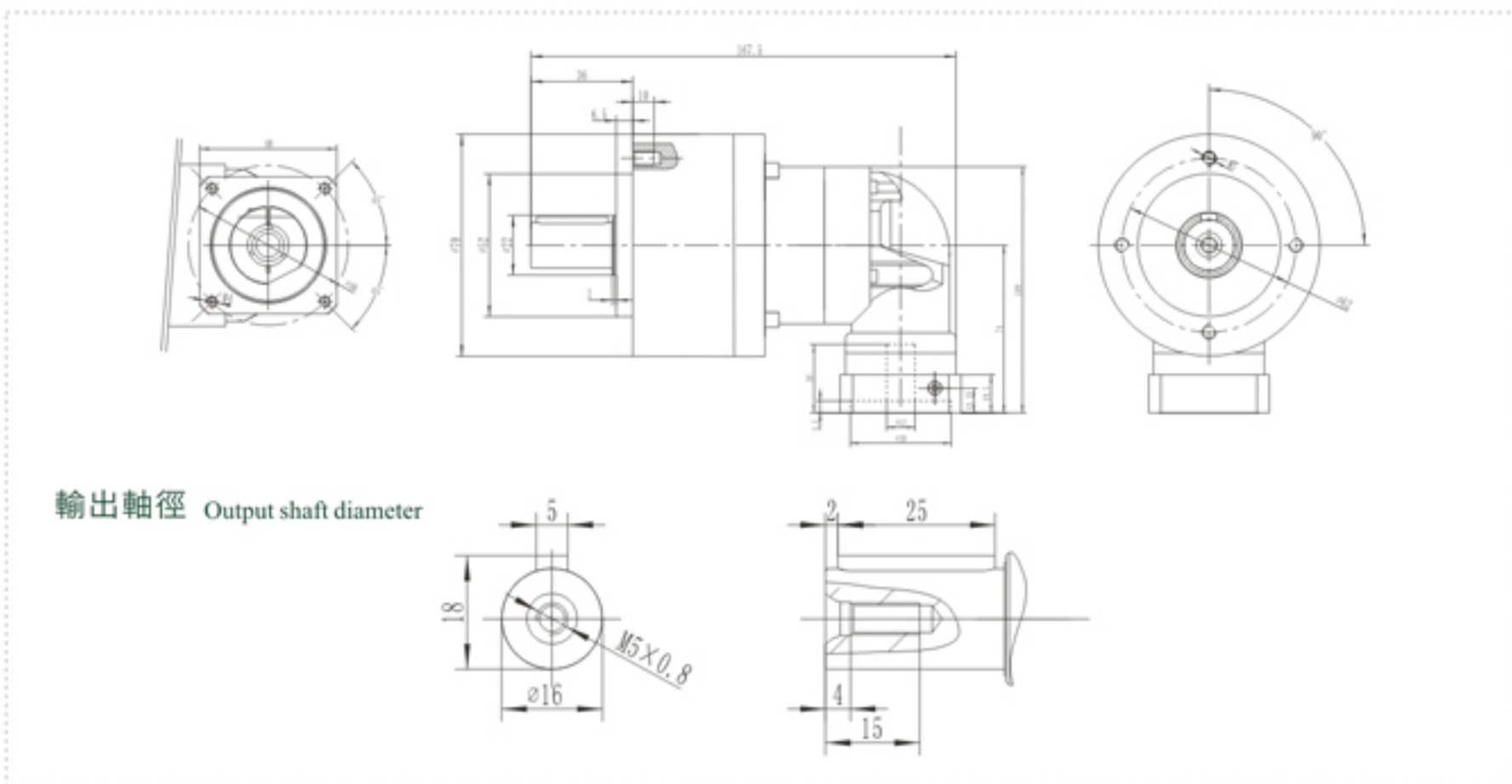
TER070系列* TER070 Single stage

外形尺寸表

TER070單節* TER070 One Stage



TER070雙節* TER070 Two Stage



性能資料 Performance data

TE系列減速機憑借標準化的法蘭接口，該行星減速機的安裝極其簡便，在性能上有所提升，它經濟實用，而且產生的熱量極少。

TE series Thanks to the standardized flange connection, the planetary reducer is extremely easy to install and has an improved performance. It is economical and produces very little heat.

TER070		單節 One Stage										雙節 Two Stage										
速比 Speed Ratio	i	3	4	5	6	7	8	9	10	15	20	25	30	35	40	50	60	70	80	100		
額定輸出力矩 Rated Output Torque	T ₁	Nm	36	48	60	55	50	45	-	40	-	-	60	55	50	45	60	55	50	45	40	
急停扭矩 Emergency Stop Torque	T ₂	Nm	T ₁ ×3										T ₁ ×3									
額定輸入轉速 Rated Input Speed	S ₁	rpm	5000										5000									
最大輸入轉速 Maximum Input Speed	S ₂	rpm	10000										10000									
最大輸出力矩 Maximum Output Torque	T ₄	Nm	T ₁ ×3×60%										T ₁ ×3×60%									
最大徑向力 Maximum Radial Force	F _a	N	1377										1377									
最大軸向力 Maximum Axial Force	F _b	N	765										765									
扭轉剛性 Torsional Rigidity	-	Nm/arcmin	7										7									
效率 Effectiveness	β	%	≥97%										≥94%									
壽命 Life	-	h	20000h										20000h									
反饋噪音 Feedback Noise	-	dB	≤63dB										≤63dB									
重量 Weight	-	Kg	2.1										2.0									
回程間隙 Return Gap	P0		-										-									
	P1	arcmin	≤4										≤6									
	P2		≤6										≤8									
使用溫度 Operating Temperature	-	°C	-10°C-90°C										-10°C-90°C									
潤滑 Lubricating	-		合成油脂 Synthetic Grease										合成油脂 Synthetic Grease									
防護等級 Protection Level	-		IP65										IP65									
安裝方向 Installation Direction	-		任意方向 Any Direction										任意方向 Any Direction									
傳動慣量 Transmission Inertia	J	kg·cm ²	0.35										0.09									

依據說明:

- 變速比(i=S_{in}/S_{out})
- 結果輸出轉速100rpm時，作用於輸出軸中心。
- 連續運轉壽命10000h。
- 噪音值基於輸入轉速3000rpm, i=10所得。

According to the instructions:

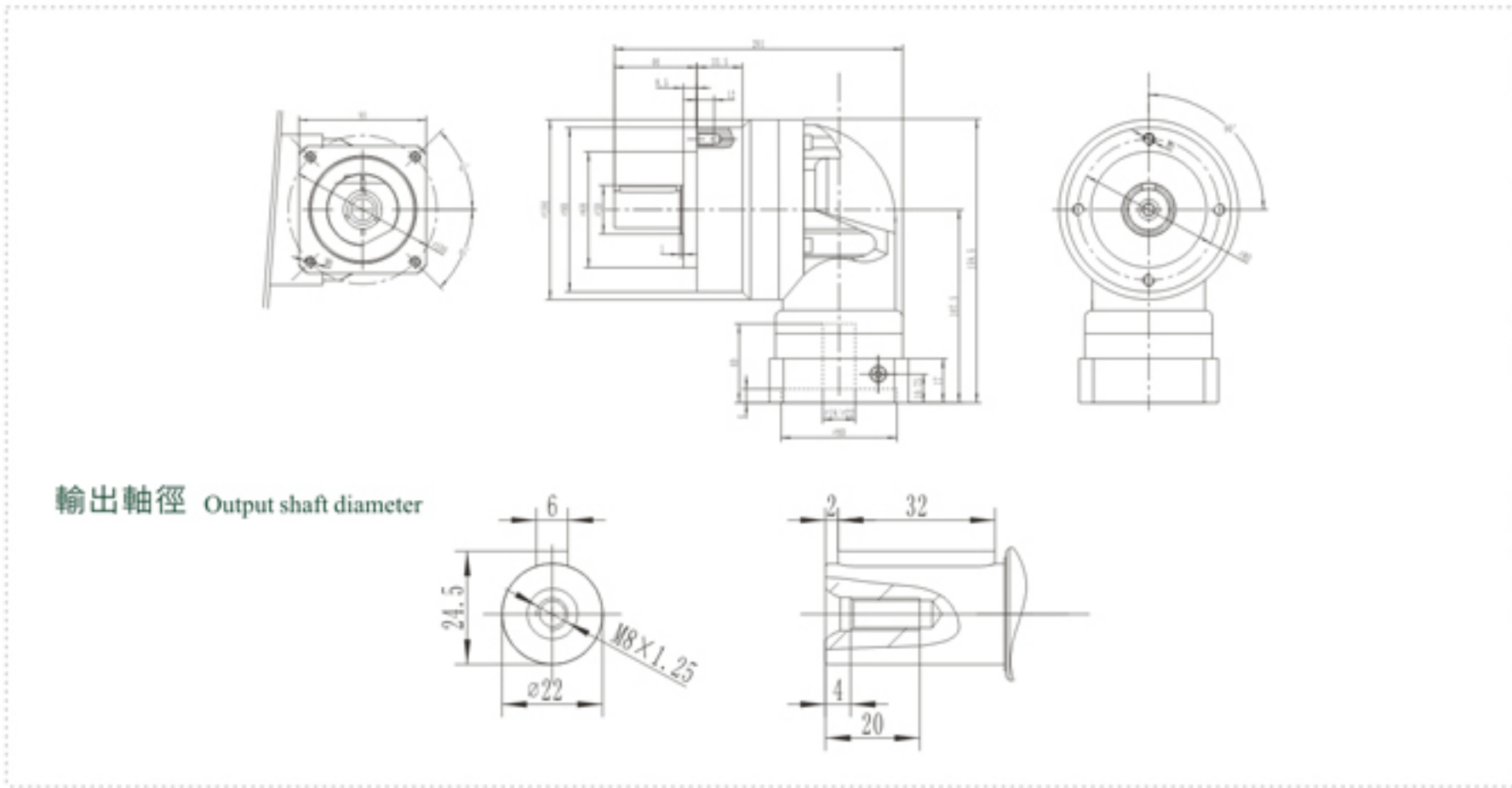
- Speed ratio (i=S_{in}/S_{out})
- As a result, when the output speed is 100 rpm, it acts on the center of the output shaft.
- Continuous operation life of 10000h.
- The noise value was obtained based on the input rotational speed of 3000 rpm, i=10.

此樣本中的所有產品型號及參數如有變更恕不另行通告，訂貨前請與本司確認。
All product models and parameters in this sample are subject to change without prior notice. Please confirm with the company before ordering.

TER090系列* TER090 Single stage

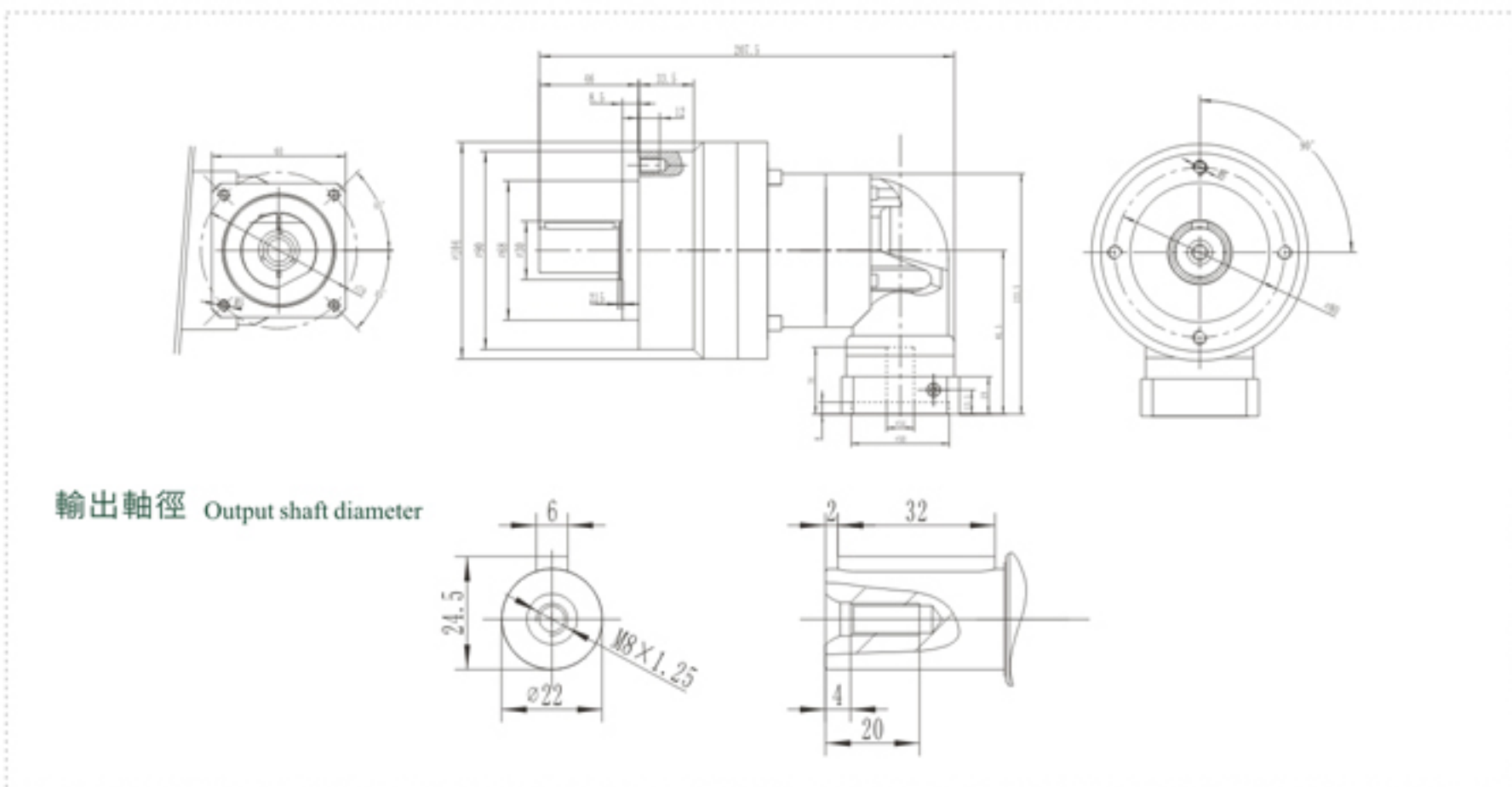
外形尺寸表

TER090單節* TER090 One Stage



輸出軸徑 Output shaft diameter

TER090雙節* TER090 Two Stage



輸出軸徑 Output shaft diameter

性能資料 Performance data

TE系列減速機憑借標準化的法蘭接口，該行星減速機的安裝極其簡便，在性能上有所提升，它經濟實用，而且產生的熱量極少。

TE series Thanks to the standardized flange connection, the planetary reducer is extremely easy to install and has an improved performance. It is economical and produces very little heat.

TER090		單節 One Stage										雙節 Two Stage										
速比 Speed Ratio	i	3	4	5	6	7	8	9	10	15	20	25	30	35	40	50	60	70	80	100		
額定輸出力矩 Rated Output Torque	T ₁	Nm	90	120	150	150	140	120	-	100	-	-	150	150	140	120	100	150	140	120	100	
急停扭矩 Emergency Stop Torque	T ₂	Nm	T ₁ × 3										T ₁ × 3									
額定輸入轉速 Rated Input Speed	S ₁	rpm	4000										4000									
最大輸入轉速 Maximum Input Speed	S ₂	rpm	8000										8000									
最大輸出力矩 Maximum Output Torque	T ₄	Nm	T ₁ × 3 × 60%										T ₁ × 3 × 60%									
最大徑向力 Maximum Radial Force	F _a	N	2985										2985									
最大軸向力 Maximum Axial Force	F _b	N	1625										1625									
扭轉剛性 Torsional Rigidity	-	Nm/arcmin	14										14									
效率 Effectiveness	β	%	≥95%										≥92%									
壽命 Life	-	h	20000h										20000h									
反饋噪音 Feedback Noise	-	dB	≤65dB										≤65dB									
重量 Weight	-	Kg	5.8										4.6									
回程間隙 Return Gap	P0	-	-										-									
	P1	arcmin	≤4										≤6									
	P2	-	≤6										≤8									
使用溫度 Operating Temperature	-	°C	-10°C-90°C										-10°C-90°C									
潤滑 Lubricating	-	-	合成油脂 Synthetic Grease										合成油脂 Synthetic Grease									
防護等級 Protection Level	-	-	IP65										IP65									
安裝方向 Installation Direction	-	-	任意方向 Any Direction										任意方向 Any Direction									
傳動慣量 Transmission Inertia	J	kg·cm ²	2.25										0.35									

依據說明:

- 變速比(i=S_{in}/S_{out})
- 結果輸出轉速100rpm時，作用於輸出軸中心。
- 連續運轉壽命10000h。
- 噪音值基於輸入轉速3000rpm, i=10所得。

According to the instructions:

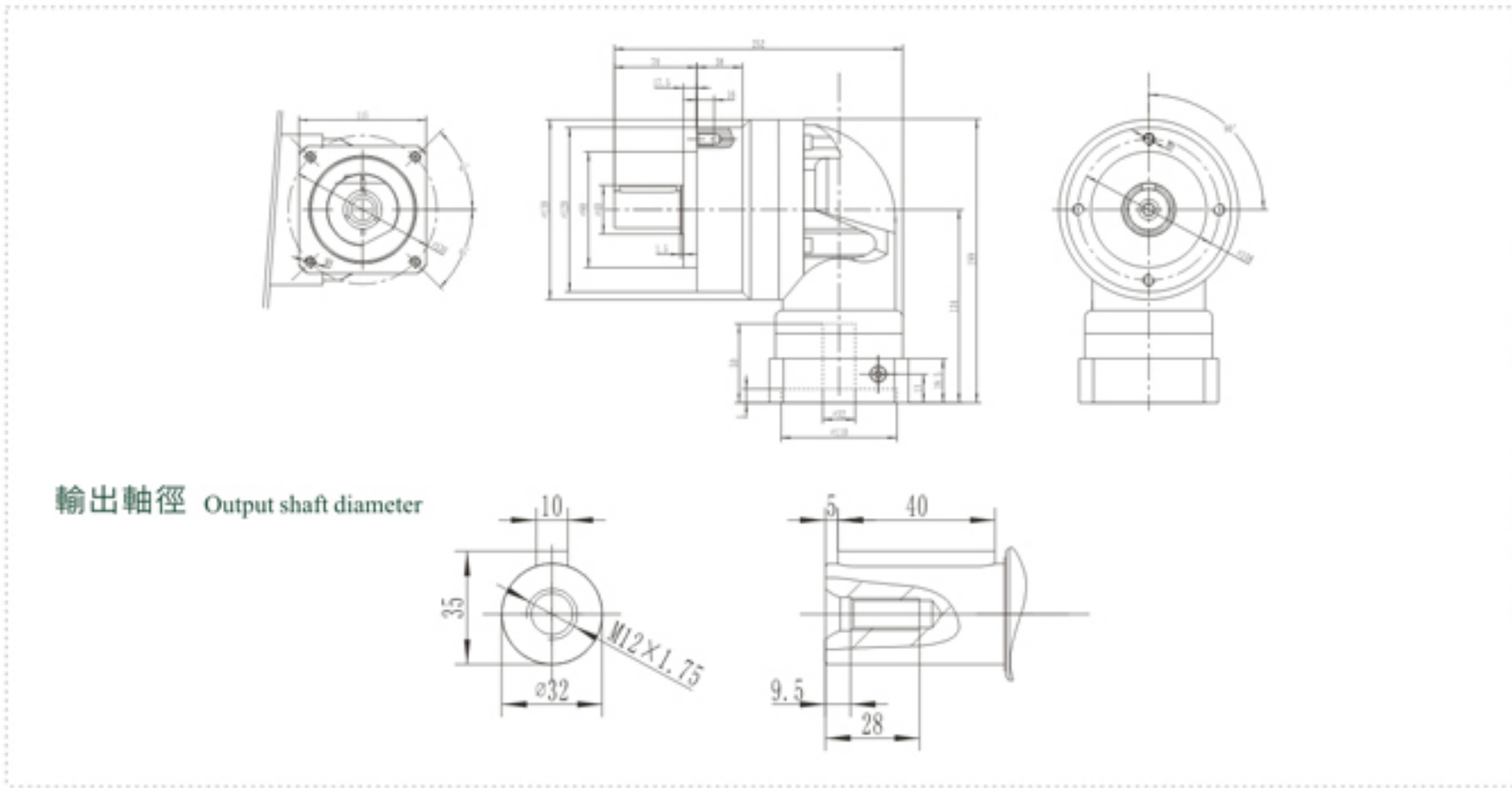
- Speed ratio (i=S_{in}/S_{out})
- As a result, when the output speed is 100 rpm, it acts on the center of the output shaft.
- Continuous operation life of 10000h.
- The noise value was obtained based on the input rotational speed of 3000 rpm, i=10.

此樣本中的所有產品型號及參數如有變更恕不另行通告，訂貨前請與本司確認。
All product models and parameters in this sample are subject to change without prior notice. Please confirm with the company before ordering.

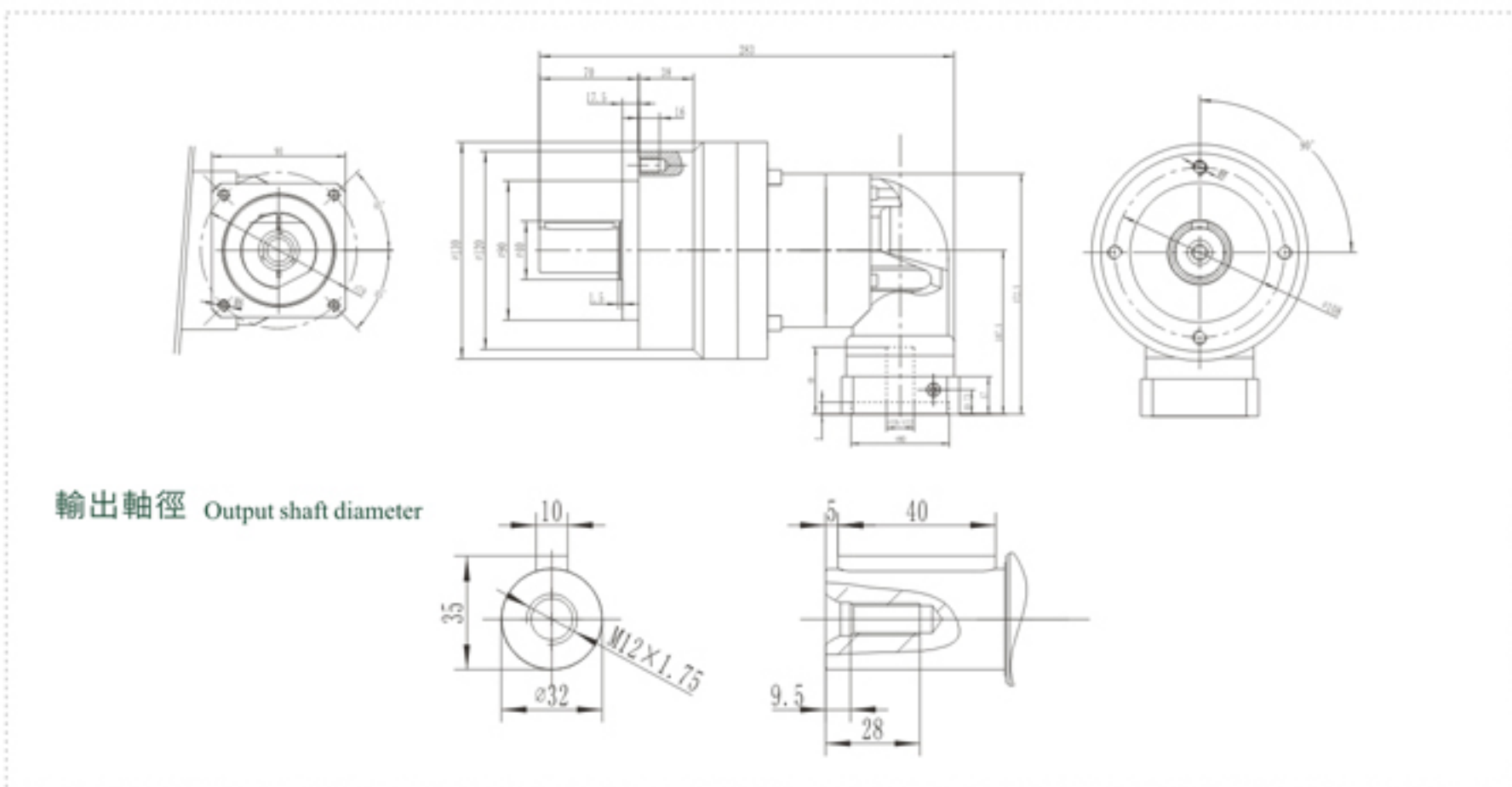
TER120系列* TER120 Single stage

外形尺寸表

TER120單節* TER120 One Stage



TER120雙節* TER120 Two Stage



性能資料 Performance data

TE系列減速機憑借標準化的法蘭接口，該行星減速機的安裝極其簡便，在性能上有所提升，它經濟實用，而且產生的熱量極少。

TE series Thanks to the standardized flange connection, the planetary reducer is extremely easy to install and has an improved performance. It is economical and produces very little heat.

TER120		單節 One Stage										雙節 Two Stage									
速比 Speed Ratio	i	3	4	5	6	7	8	9	10	15	20	25	30	35	40	50	60	70	80	100	
額定輸出力矩 Rated Output Torque	T ₁	Nm	195	260	325	310	300	260	-	230	-	-	325	310	300	260	230	310	300	260	230
急停扭矩 Emergency Stop Torque	T ₂	Nm	T ₁ ×3										T ₁ ×3								
額定輸入轉速 Rated Input Speed	S ₁	rpm	4000										4000								
最大輸入轉速 Maximum Input Speed	S ₂	rpm	8000										8000								
最大輸出力矩 Maximum Output Torque	T ₄	Nm	T ₁ ×3×60%										T ₁ ×3×60%								
最大徑向力 Maximum Radial Force	F _a	N	6100										6100								
最大軸向力 Maximum Axial Force	F _b	N	3350										3350								
扭轉剛性 Torsional Rigidity	-	Nm/arcmin	25										25								
效率 Effectiveness	β	%	≥95%										≥92%								
壽命 Life	-	h	20000h										20000h								
反饋噪音 Feedback Noise	-	dB	≤68dB										≤68dB								
重量 Weight	-	Kg	11.2										11.1								
回程間隙 Return Gap	P0		-										-								
	P1	arcmin	≤4										≤6								
	P2		≤6										≤8								
使用溫度 Operating Temperature	-	°C	-10°C-90°C										-10°C-90°C								
潤滑 Lubricating	-		合成油脂 Synthetic Grease										合成油脂 Synthetic Grease								
防護等級 Protection Level	-		IP65										IP65								
安裝方向 Installation Direction	-		任意方向 Any Direction										任意方向 Any Direction								
傳動慣量 Transmission Inertia	J	kg·cm ²	6.84										2.25								

依據說明:

- 變速比(i=S_{in}/S_{out})
- 結果輸出轉速100rpm時，作用於輸出軸中心。
- 連續運轉壽命10000h。
- 噪音值基於輸入轉速3000rpm, i=10所得。

According to the instructions:

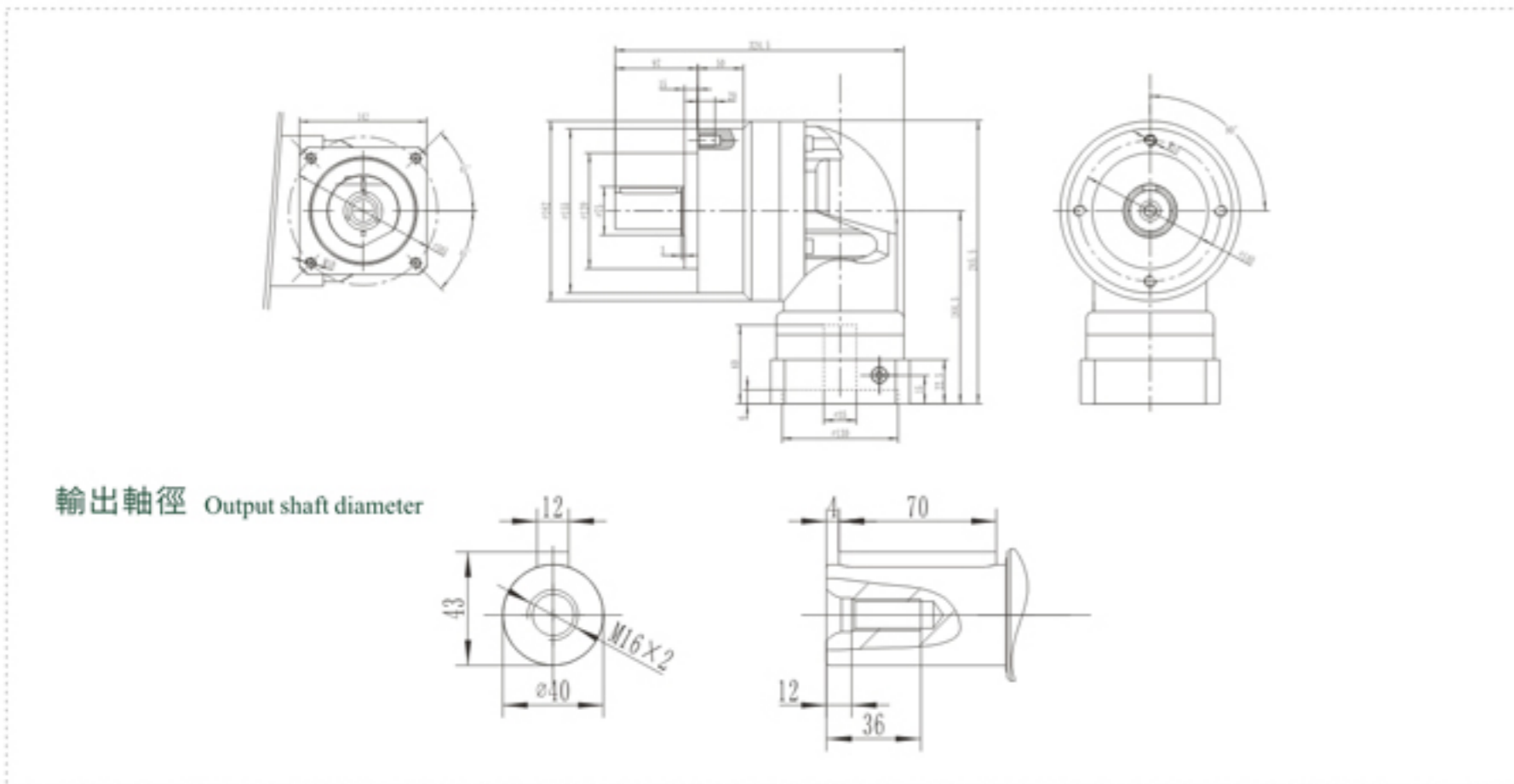
- Speed ratio (i=S_{in}/S_{out})
- As a result, when the output speed is 100 rpm, it acts on the center of the output shaft.
- Continuous operation life of 10000h.
- The noise value was obtained based on the input rotational speed of 3000 rpm, i=10.

此樣本中的所有產品型號及參數如有變更恕不另行通告，訂貨前請與本司確認。
All product models and parameters in this sample are subject to change without prior notice. Please confirm with the company before ordering.

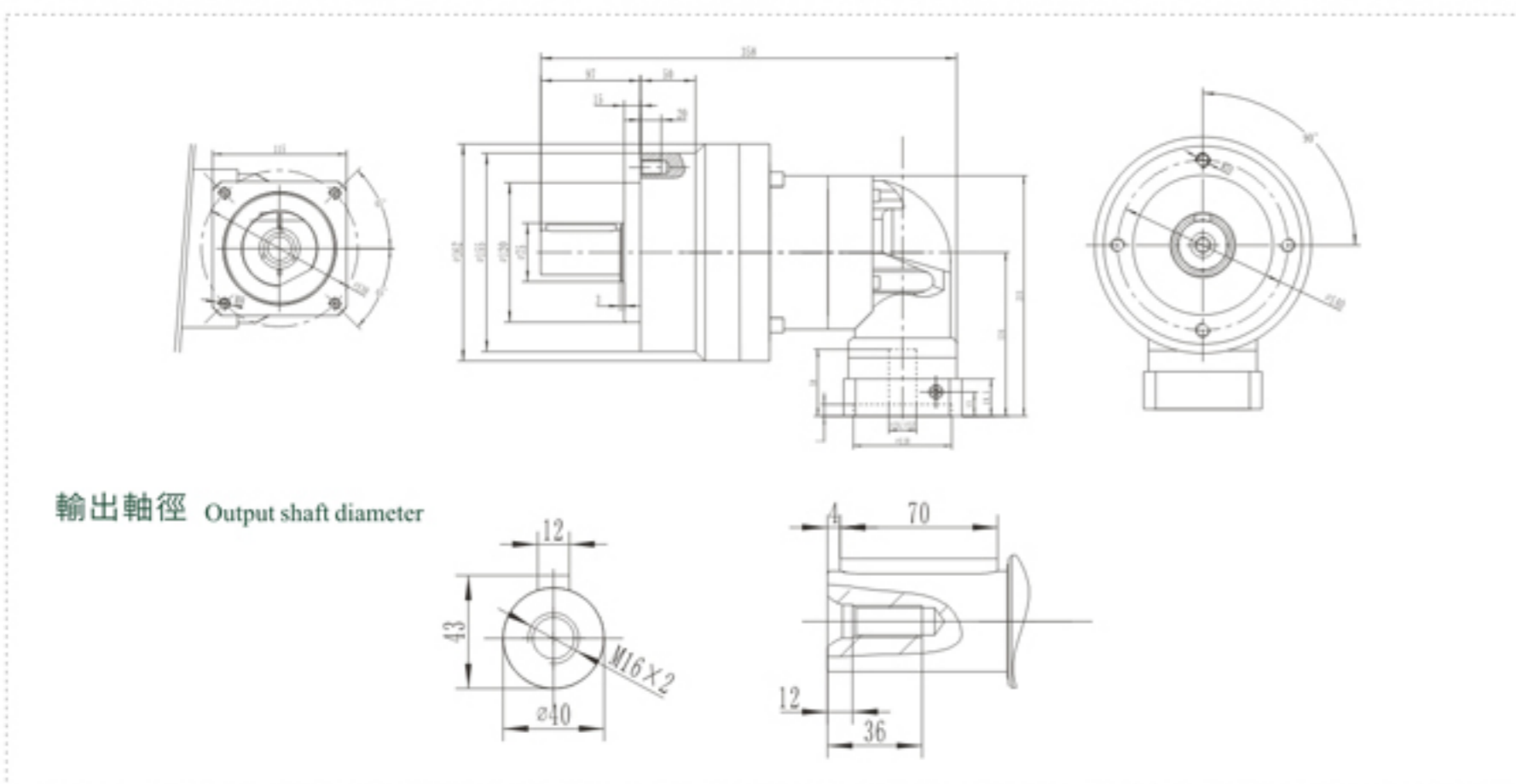
TER155系列* TER155 Single stage

外形尺寸表

TER155單節* TER155 One Stage



TER155雙節* TER155 Two Stage



性能資料 Performance data

TE系列減速機憑借標準化的法蘭接口，該行星減速機的安裝極其簡便，在性能上有所提升，它經濟實用，而且產生的熱量極少。

TE series Thanks to the standardized flange connection, the planetary reducer is extremely easy to install and has an improved performance. It is economical and produces very little heat.

TER155		單節 One Stage										雙節 Two Stage										
速比 Speed Ratio	i	3	4	5	6	7	8	9	10	15	20	25	30	35	40	50	60	70	80	100		
額定輸出力矩 Rated Output Torque	T ₁	Nm	342	520	650	600	550	500	-	450	-	-	650	600	550	500	650	600	550	500	450	
急停扭矩 Emergency Stop Torque	T ₂	Nm	T ₁ ×3										T ₁ ×3									
額定輸入轉速 Rated Input Speed	S ₁	rpm	3000										3000									
最大輸入轉速 Maximum Input Speed	S ₂	rpm	6000										6000									
最大輸出力矩 Maximum Output Torque	T ₄	Nm	T ₁ ×3×60%										T ₁ ×3×60%									
最大徑向力 Maximum Radial Force	F _a	N	8460										8460									
最大軸向力 Maximum Axial Force	F _b	N	4700										4700									
扭轉剛性 Torsional Rigidity	-	Nm/arcmin	50										50									
效率 Effectiveness	β	%	≥95%										≥92%									
壽命 Life	-	h	20000h										20000h									
反饋噪音 Feedback Noise	-	dB	≤70dB										≤70dB									
重量 Weight	-	Kg	22.4										27.5									
回程間隙 Return Gap	P0		-										-									
	P1	arcmin	≤4										≤6									
	P2		≤6										≤8									
使用溫度 Operating Temperature	-	°C	-10°C-90°C										-10°C-90°C									
潤滑 Lubricating	-		合成油脂 Synthetic Grease										合成油脂 Synthetic Grease									
防護等級 Protection Level	-		IP65										IP65									
安裝方向 Installation Direction	-		任意方向 Any Direction										任意方向 Any Direction									
傳動慣量 Transmission Inertia	J	kg·cm ²	23.4										6.84									

依據說明:

- 變速比(i=S_{in}/S_{out})
- 結果輸出轉速100rpm時，作用於輸出軸中心。
- 連續運轉壽命10000h。
- 噪音值基於輸入轉速3000rpm, i=10所得。

According to the instructions:

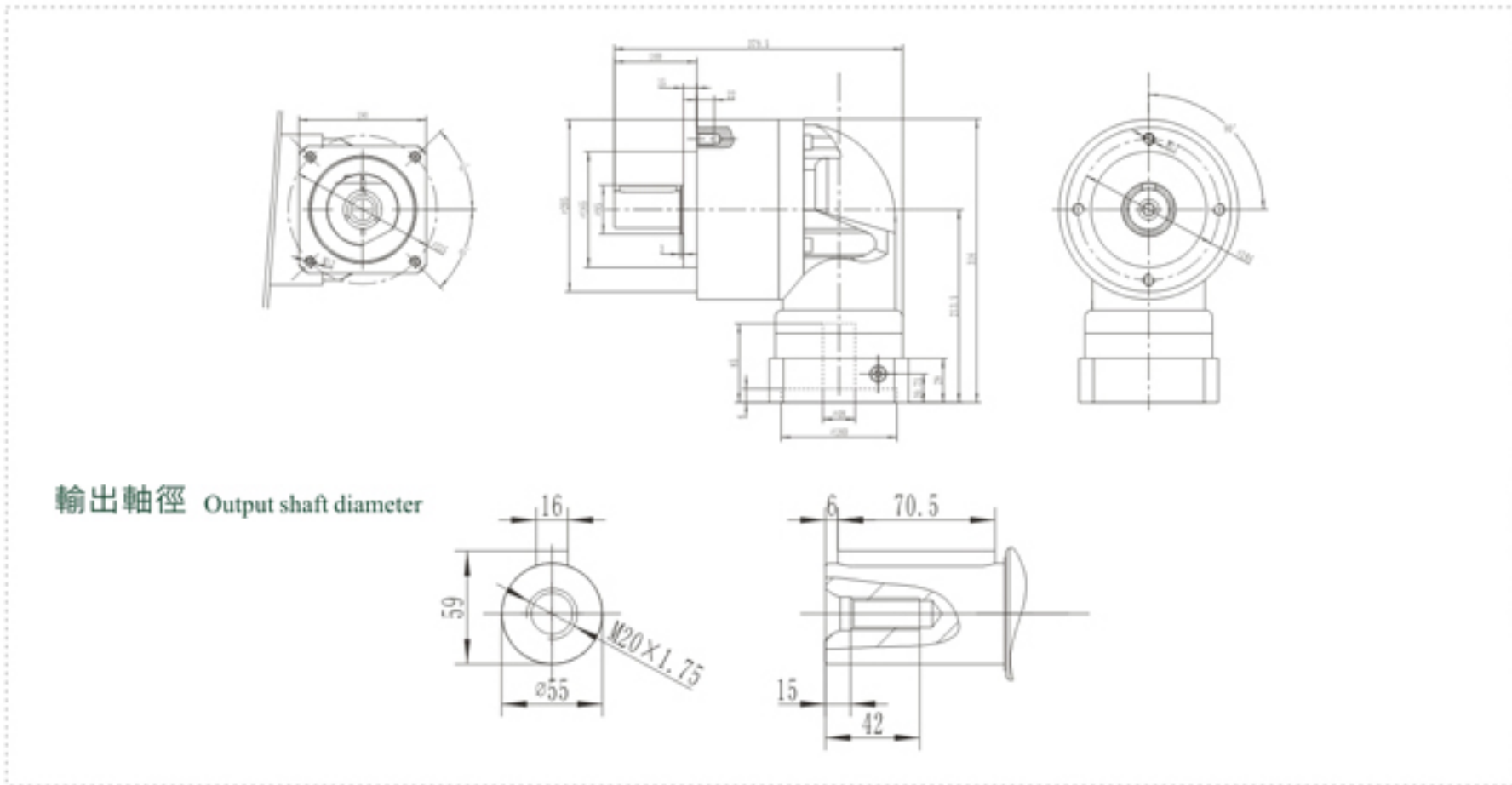
- Speed ratio (i=S_{in}/S_{out})
- As a result, when the output speed is 100 rpm, it acts on the center of the output shaft.
- Continuous operation life of 10000h.
- The noise value was obtained based on the input rotational speed of 3000 rpm, i=10.

此樣本中的所有產品型號及參數如有變更恕不另行通告，訂貨前請與本司確認。
All product models and parameters in this sample are subject to change without prior notice. Please confirm with the company before ordering.

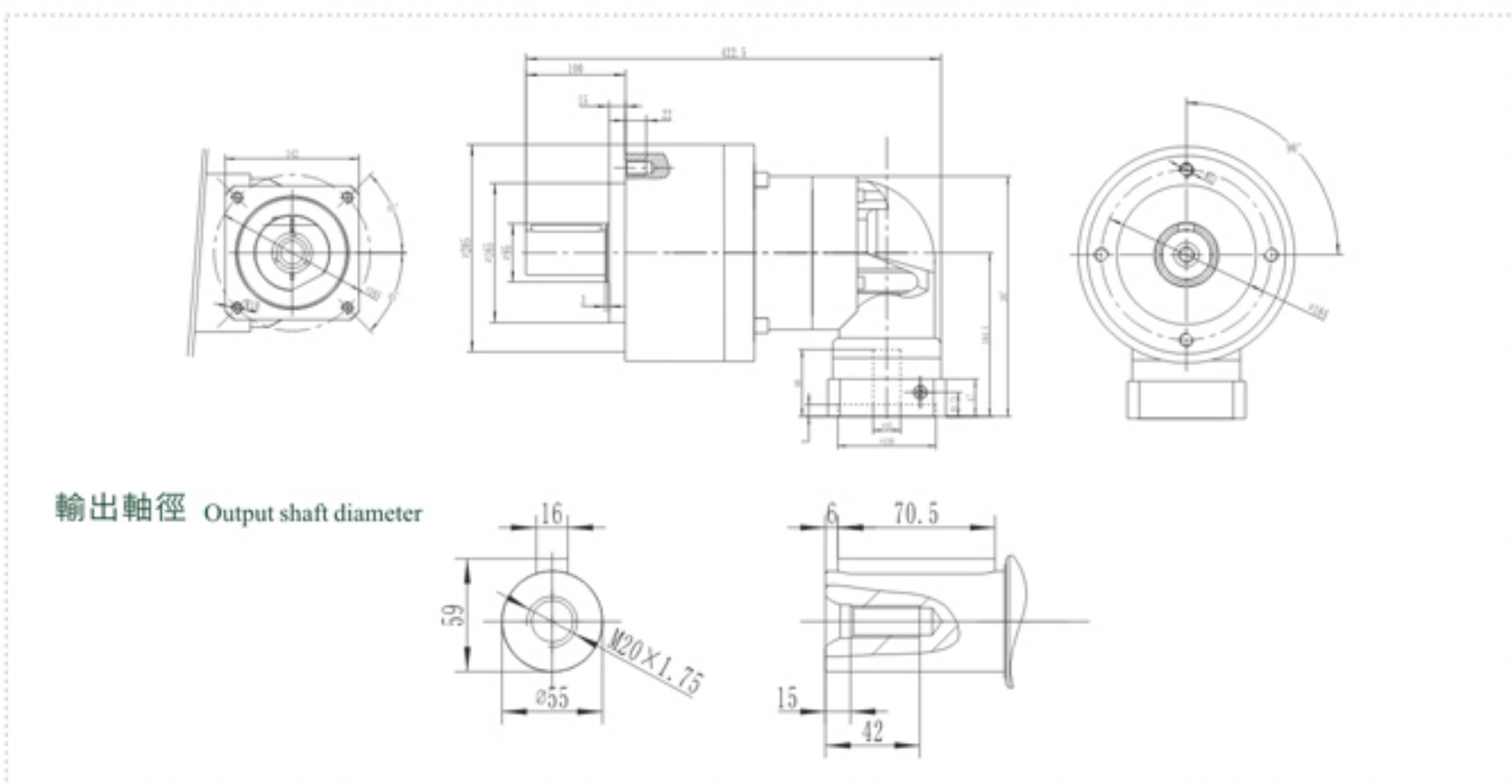
TER205系列* TER205 Single stage

外形尺寸表

TER205單節* TER205 One Stage



TER205雙節* TER205 Two Stage



性能資料 Performance data

TE系列減速機憑借標準化的法蘭接口，該行星減速機的安裝極其簡便，在性能上有所提升，它經濟實用，而且產生的熱量極少。

TE series Thanks to the standardized flange connection, the planetary reducer is extremely easy to install and has an improved performance. It is economical and produces very little heat.

TER205		單節 One Stage										雙節 Two Stage										
速比 Speed Ratio	i	3	4	5	6	7	8	9	10	15	20	25	30	35	40	50	60	70	80	100		
額定輸出力矩 Rated Output Torque	T ₁	Nm	588	1040	1200	1100	1100	1000	-	900	-	-	1200	1100	1100	1000	1200	1100	1100	1000	900	
急停扭矩 Emergency Stop Torque	T ₂	Nm	T ₁ ×3										T ₁ ×3									
額定輸入轉速 Rated Input Speed	S ₁	rpm	3000										3000									
最大輸入轉速 Maximum Input Speed	S ₂	rpm	6000										6000									
最大輸出力矩 Maximum Output Torque	T ₄	Nm	T ₁ ×3×60%										T ₁ ×3×60%									
最大徑向力 Maximum Radial Force	F _a	N	14500										14500									
最大軸向力 Maximum Axial Force	F _b	N	7250										7250									
扭轉剛性 Torsional Rigidity	-	Nm/arcmin	145										145									
效率 Effectiveness	β	%	≥95%										≥92%									
壽命 Life	-	h	20000h										20000h									
反饋噪音 Feedback Noise	-	dB	≤72dB										≤72dB									
重量 Weight	-	Kg	51										54									
回程間隙 Return Gap	P0		-										-									
	P1	arcmin	≤4										≤6									
	P2		≤6										≤8									
使用溫度 Operating Temperature	-	°C	-10°C-90°C										-10°C-90°C									
潤滑 Lubricating	-		合成油脂 Synthetic Grease										合成油脂 Synthetic Grease									
防護等級 Protection Level	-		IP65										IP65									
安裝方向 Installation Direction	-		任意方向 Any Direction										任意方向 Any Direction									
傳動慣量 Transmission Inertia	J	kg·cm ²	68.9										23.4									

依據說明:

- 變速比(i=S_{in}/S_{out})
- 結果輸出轉速100rpm時，作用於輸出軸中心。
- 連續運轉壽命10000h。
- 噪音值基於輸入轉速3000rpm, i=10所得。

According to the instructions:

- Speed ratio (i=S_{in}/S_{out})
- As a result, when the output speed is 100 rpm, it acts on the center of the output shaft.
- Continuous operation life of 10000h.
- The noise value was obtained based on the input rotational speed of 3000 rpm, i=10.

此樣本中的所有產品型號及參數如有變更恕不另行通告，訂貨前請與本司確認。
All product models and parameters in this sample are subject to change without prior notice. Please confirm with the company before ordering.